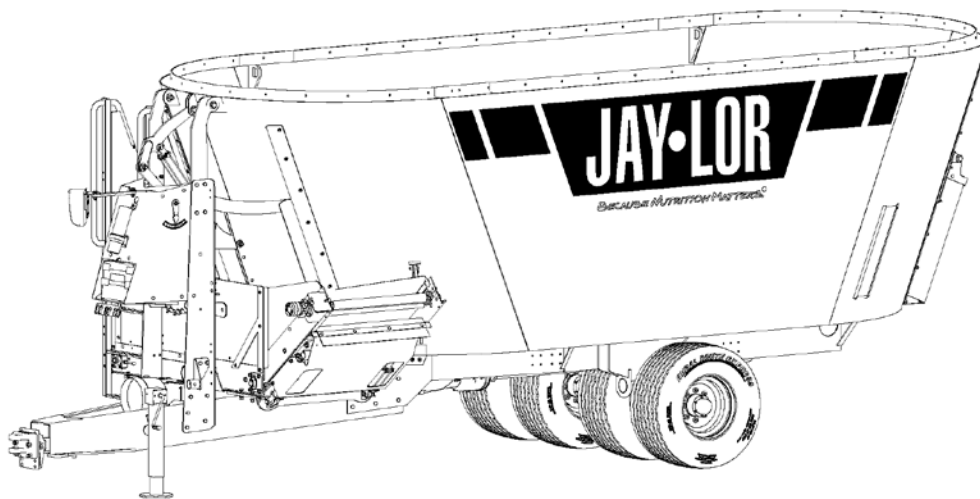


JAY•LOR[®] *BECAUSE
NUTRITION
MATTERS.*[™]

PARTS BOOK

5000 SERIES TWIN AUGER MODELS

5600 5650 5750 5850



"Because Nutrition Matters™"

TABLE OF CONTENTS

- A. INTRODUCTION**
- B. CONTACT INFORMATION**
- C. GENERAL INFORMATION**
- D. PART NUMBERING SYSTEM**
- E. SERIAL NUMBER LOCATION**
- F. 001 – DRUM PARTS**
- G. 002 – FRAME / HITCH PARTS**
- H. 003 – LADDER / PLATFORM PARTS**
- I. 004 – WHEEL / HUB / AXLE PARTS**
- J. 005 – AUGER PARTS**
- K. 006 – CONVEYOR PARTS**
- L. 007 – DRIVELINE / GEARBOX PARTS**
- M. 008 – LUBE SYSTEMS**
- N. 009 – HYDRAULIC / PNEUMATIC PARTS**
- O. 010 – SCALE / LIGHTING PARTS**

A. INTRODUCTION

This Dealer Copy of the Parts Book contains common and general information applicable to the Jaylor Mixers. It has been carefully designed to ensure that correct and accurate information is portrayed in every area of a typical unit, enabling efficient and effective service to the end user of Jaylor's products.

The format of this book consists of a fundamental breakdown of components and assemblies according to the area in which they are located or function on the machine. Each area of section contains illustrative information regarding a part or an assembly, along with information such as part numbers and quantities included. For details and pricing information regarding parts and assemblies depicted in the illustrations please contact Jaylor. Our service personnel will be more than willing to assist you in obtaining information as it pertains to Jaylor's line of products. Information and pricing for non-stock and/or custom items will be quoted on request.

Note:

Parts and assemblies in this book may not be exactly as shown. Jaylor reserves the right to make any changes/revisions/amendments at any time as deemed necessary to ensure that correct information is provided.

B. CONTACT INFORMATION

Contact Jaylor at:



071213 10th Line
East Garafraxa, ON
Canada
L9W 6Z9

Phone: (519) 787-9353
Fax: (519) 787-7053
E-mail: jaylor@jaylor.com
On the web: www.jaylor.com

C. GENERAL INFORMATION

It is important to use extreme caution when performing any type of service to this equipment. General information regarding service procedures and intervals is covered in the Owner Manual provided with the new product. For more specific product service, please contact Jaylor to obtain Technical Service Bulletins that outline the procedures and requirements for such.

It is also important to ensure that only Jaylor genuine or approved parts are to be used where applicable. Mismatched or incorrect components can result in machine damage or malfunction, or possibly personal injury.

D. PART NUMBERING SYSTEM

Jaylor's part numbering system consists of eleven digits as shown below:

XXX-000-12345

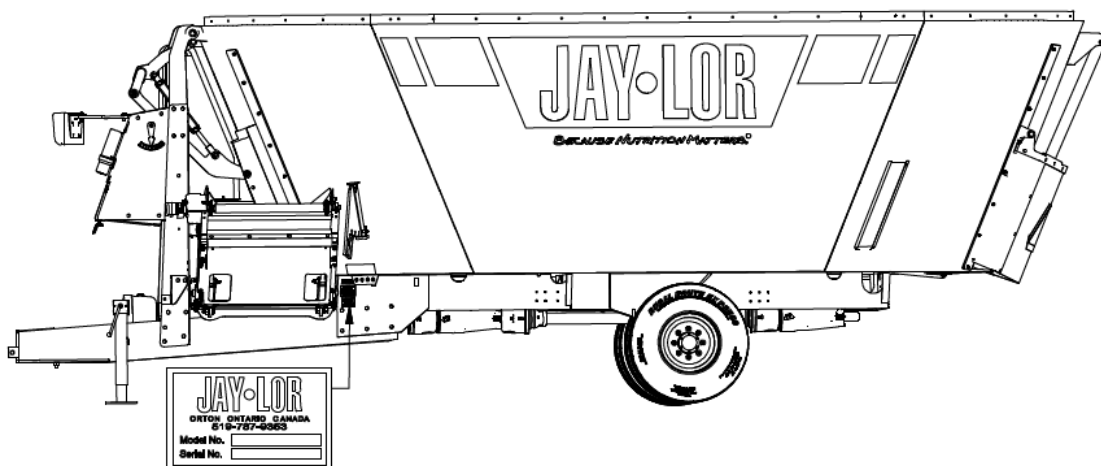
The first three digits are the **Product Group Code** (PGC), which consists of three alpha characters which will be referred to as (XXX). The next three numeric digits will be referred to as (000) and represent the **Product Code** (PC). The next five numeric digits represent the **Part Number** (PN) and are referred to as (12345).

The Product Code (PC) follows the following numbering convention:

PC	Description
000	Universal Parts
001	Drum Parts
002	Frame/Hitch Parts
003	Ladder / Platform Parts
004	Wheel / Hub / Axle Parts
005	Auger Parts
006	Conveyor Parts
007	Driveline / Gearbox Parts
008	Lube Systems
009	Hydraulic and Pneumatic Parts
010	Scale / Lighting Parts

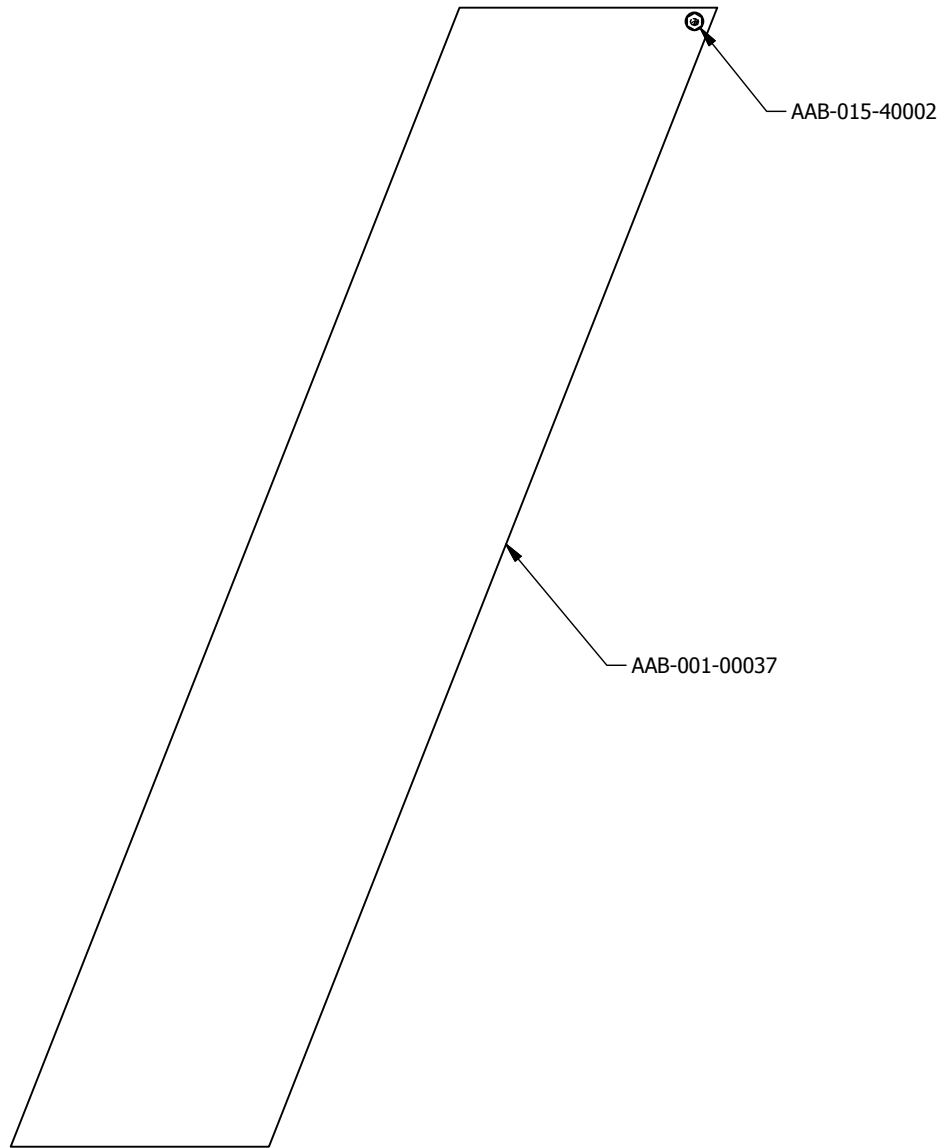
E. SERIAL NUMBER LOCATION

When ordering components for Jaylor products it is important to include the machine model and serial numbers if applicable. The serial number plate is located on the frame of the machine as indicated in the diagram below:



F. 001 – DRUM PARTS**Drawing Number Reference Chart:**

Part	Model			
	5600	5650	5750	5850
Viewing Window	AAA-054-00144			
Drum Extensions	AAA-054-00145			
Hay Retention Ring	AAA-054-00170			
Restrictor Blade	AAA-054-00172			
Door Panels & Tracks	AAA-054-00329			
Door Arms	AAA-054-00330			
Door Shields	AAA-054-00331			

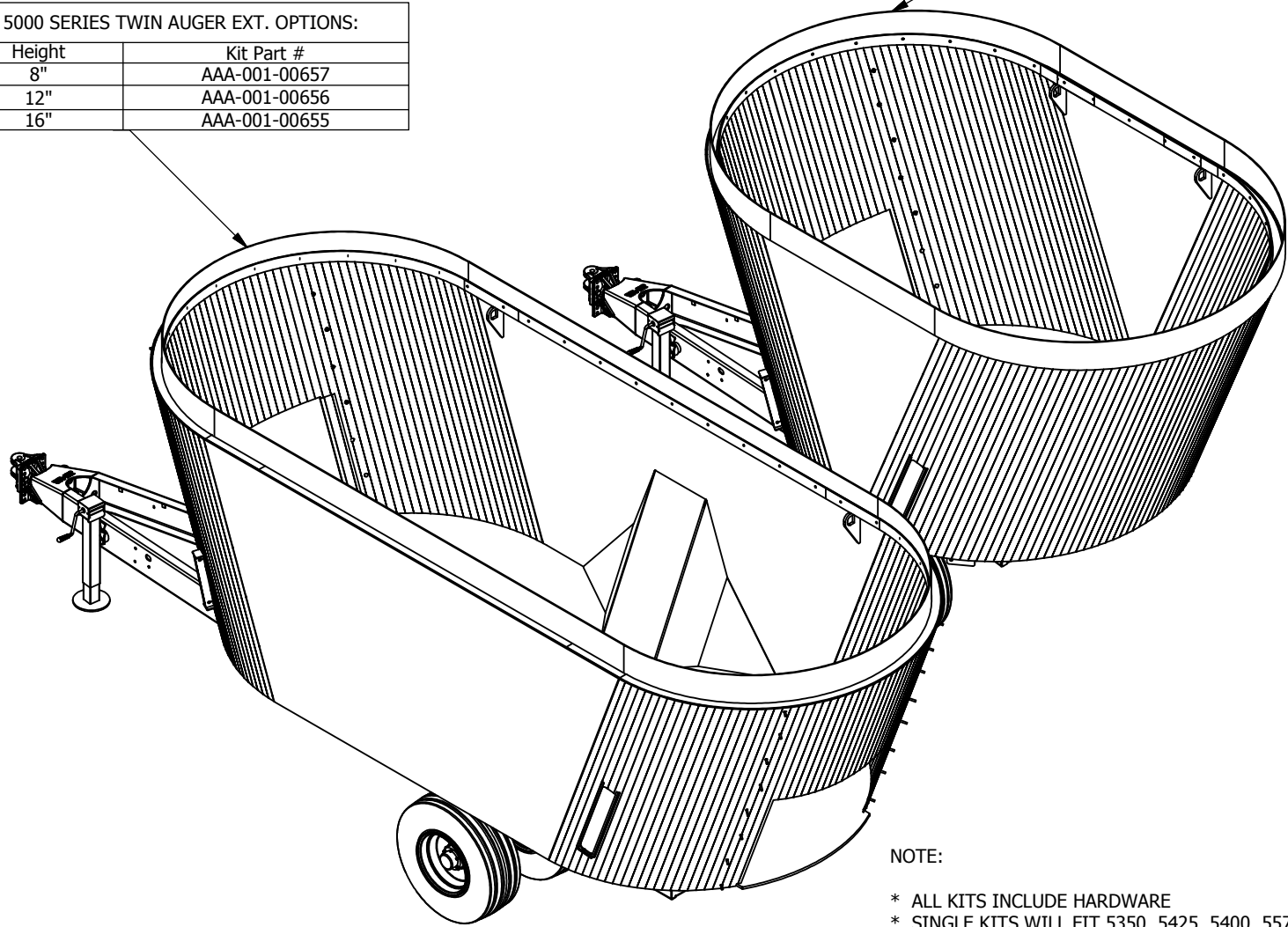


DRWN : D RODGERS	TOLERANCES (UNLESS SPECIFIED OTHERWISE) FRACTIONAL ± 1/16" DEC X.X ± 0.1" DEC X.XX ± 0.06" DEC X.XXX ± 0.031" ANGULAR ± 0.5°	
DATE : 9/18/2013		
MAT : Lexan, Clear		
<small>CONFIDENTIAL: THESE DRAWINGS AND COPIES THEREOF REMAIN THE PROPERTY OF JAY-LOR FABRICATING INC. ANY PERSON FOUND UNLAWFULLY USING, DISTRIBUTING, OR IN POSSESSION OF THE ABOVE WILL BE PROSECUTED</small>		

VIEW REP :	SHEET 1 OF 1	R#	DATE	DESCRIPTION	DR	CK
TITLE : WNDW VIEWING				FILE NO : AAA-054-00144.idw		

5000 SERIES SINGLE AUGER EXT. OPTIONS:	
Height	Kit Part #
8"	AAA-001-00647
12"	AAA-001-00648
16"	AAA-001-00649

5000 SERIES TWIN AUGER EXT. OPTIONS:	
Height	Kit Part #
8"	AAA-001-00657
12"	AAA-001-00656
16"	AAA-001-00655



NOTE:

- * ALL KITS INCLUDE HARDWARE
- * SINGLE KITS WILL FIT 5350, 5425, 5400, 5575
- * TWIN KITS WILL FIT 5600, 5650, 5750, 5850 , 5850HD, 51000HD & 51250HD

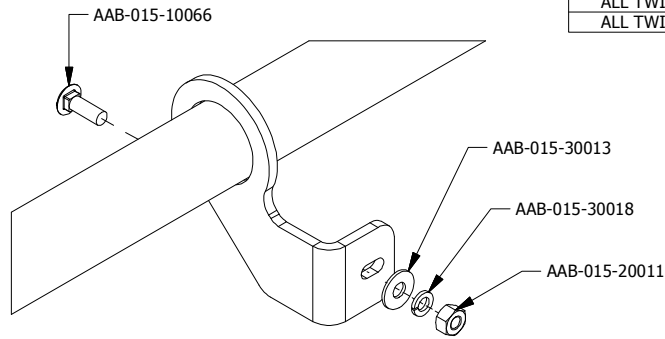
DR	Jan .v. Ee	TOLERANCES (UNLESS SPECIFIED OTHERWISE) FRACTIONAL ± 1/16" DEC X.X ± 0.1" DEC X.XX ± 0.06" DEC X.XXX ± 0.031" ANGULAR ± 0.5°	JAY•LOR Fabricating Inc
DAT	10/31/2012		
MAT			

UNITS	PAPER A	SHEET 1 OF 1	R#	DATE	DESCRIPTION	DR	CK
TITLE 5000 SERIES DRUM EXTENSION KITS						FILE NO	AAA-054-00145.idw

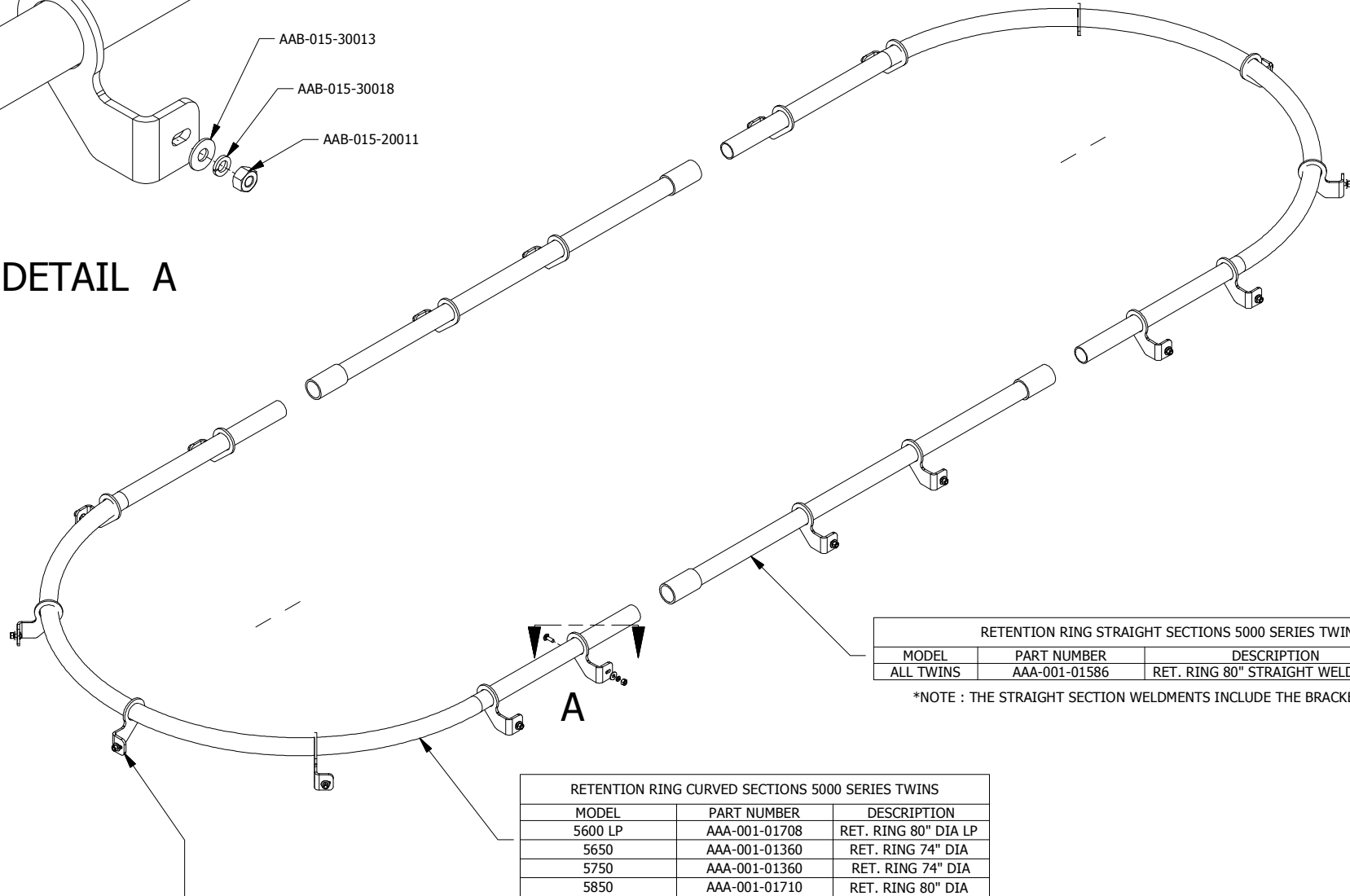
CONFIDENTIAL: THESE DRAWINGS AND COPIES THEREOF REMAIN THE PROPERTY OF JAY-LOR FABRICATING INC. ANY PERSON FOUND UNLAWFULLY USING, DISTRIBUTING, OR IN POSSESSION OF THE ABOVE WILL BE PROSECUTED

RETENTION RING KIT HARDWARE 5000 SERIES TWINS			
MODEL	PART NUMBER	DESCRIPTION	QTY
ALL TWINS	AAB-015-20011	HEX NUT 1/2 UNC GRD 5	18
ALL TWINS	AAB-015-30018	LOCK WASHER 1/2	18
ALL TWINS	AAB-015-30013	FLAT WASHER 1/2	18
ALL TWINS	AAB-015-10066	CARRIAGE BOLT 1/2 X 1-1/2 UNC GRD 5	18

RETENTION RING KITS 5000 SERIES TWINS		
MODEL	PART NUMBER	DESCRIPTION
5600 LP	AAA-001-01709	RET. RING 5600 KIT
5650	AAA-001-01587	RET. RING 5650 KIT
5750	AAA-001-01587	RET. RING 5750 KIT
5850	AAA-001-01711	RET. RING 5850 KIT



DETAIL A



RETENTION RING STRAIGHT SECTIONS 5000 SERIES TWINS			
MODEL	PART NUMBER	DESCRIPTION	QTY
ALL TWINS	AAA-001-01586	RET. RING 80" STRAIGHT WELDMENT*	2

*NOTE : THE STRAIGHT SECTION WELDMENTS INCLUDE THE BRACKETS SHOWN.

RETENTION RING CURVED SECTIONS 5000 SERIES TWINS		
MODEL	PART NUMBER	DESCRIPTION
5600 LP	AAA-001-01708	RET. RING 80" DIA LP
5650	AAA-001-01360	RET. RING 74" DIA
5750	AAA-001-01360	RET. RING 74" DIA
5850	AAA-001-01710	RET. RING 80" DIA

RETENTION RING BRACKET 5000 SERIES TWINS			
MODEL	PART NUMBER	DESCRIPTION	QTY
ALL TWINS	AAA-001-01359	RET. RING BRACKET	14

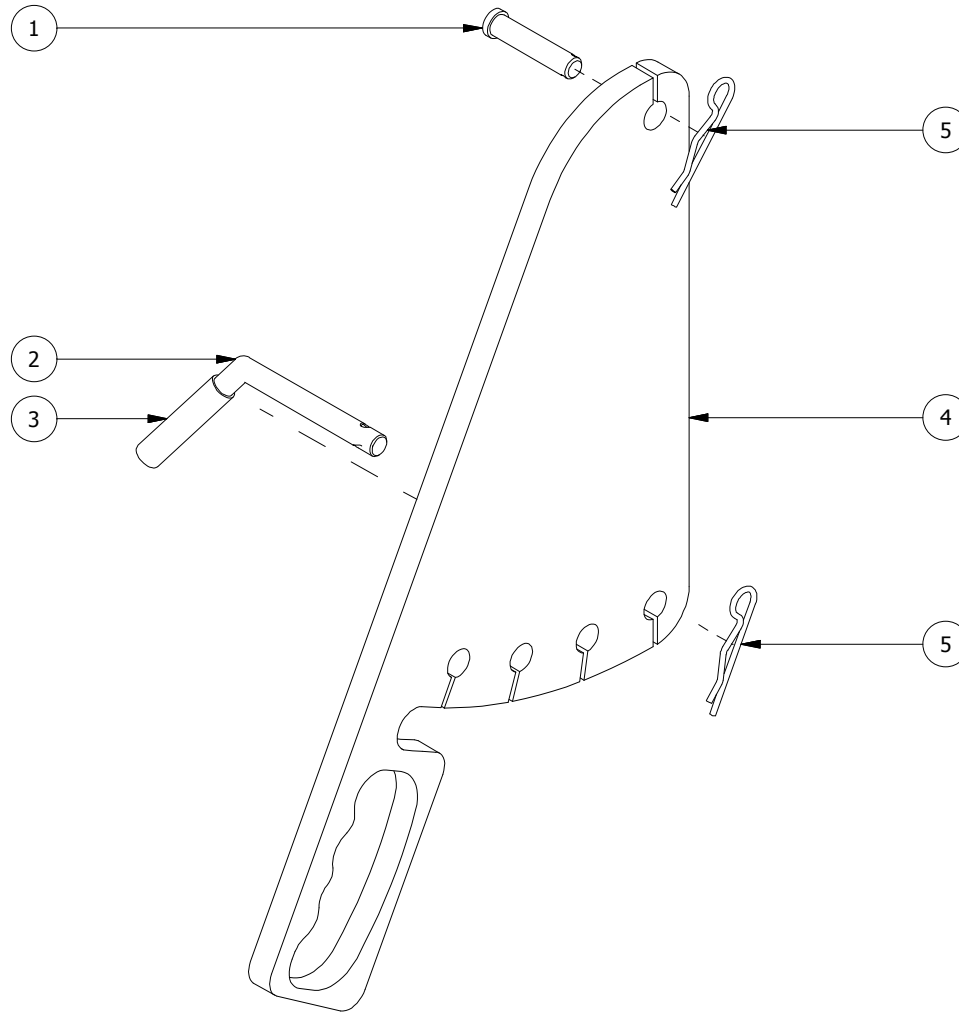
DRWN : DEnwright	TOLERANCES (UNLESS SPECIFIED OTHERWISE) FRACTIONAL ± 1/16" DEC X.X ± 0.1" DEC X.XX ± 0.06" DEC X.XXX ± 0.031" ANGULAR ± 0.5°	JAY-LOR Fabricating Inc
DATE : 12/23/2014		
MAT :		

VIEW REP :	SHEET 1 OF 1	R#	DATE	DESCRIPTION	DR	CK
------------	--------------	----	------	-------------	----	----

CONFIDENTIAL: THESE DRAWINGS AND COPIES THEREOF REMAIN THE PROPERTY OF JAY-LOR FABRICATING INC. ANY PERSON FOUND UNLAWFULLY USING, DISTRIBUTING, OR IN POSSESSION OF THE ABOVE WILL BE PROSECUTED

Parts List			
ITEM	PART NUMBER	TITLE	QTY
1	AAB-001-00017	PIN PIVOT 1/2 X 2.41	1
2	AAB-001-00020	PIN BENT ADJUSTMENT 1/2 X 3-5/8	1
3	AAB-015-40009	GRIP ADJUSTMENT PIN VINYL 1/2 X 2-1/2	1
4	AAA-001-01346-P3	RB 5000 SERIES (PAINTED)	1
5	AAB-001-00019	PIN HTCH CLIP 1/8 X 2-9/16	2

*RESTRICTOR BLADE KIT AVAILABLE AS
PART # AAA-001-01606



DRWN : JET

DATE : 12/23/2014

MAT :

TOLERANCES (UNLESS SPECIFIED OTHERWISE)
 FRACTIONAL ± 1/16"
 DEC X.X ± 0.1"
 DEC X.XX ± 0.06"
 DEC X.XXX ± 0.031"
 ANGULAR ± 0.5°

JAY•LOR
Fabricating Inc

VIEW REP : SHEET 1 OF 1 R# DATE DESCRIPTION DR CK

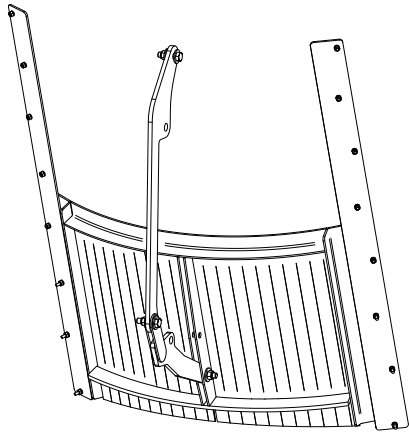
TITLE : RB ASSY 5000 SERIES

FILE NO : AAA-054-00172.idw

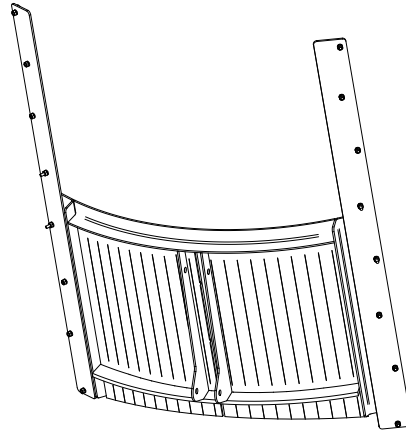
CONFIDENTIAL: THESE DRAWINGS AND COPIES THEREOF REMAIN THE PROPERTY OF JAY-LOR FABRICATING INC. ANY PERSON FOUND UNLAWFULLY USING, DISTRIBUTING, OR IN POSSESSION OF THE ABOVE WILL BE PROSECUTED

DOOR TYPES

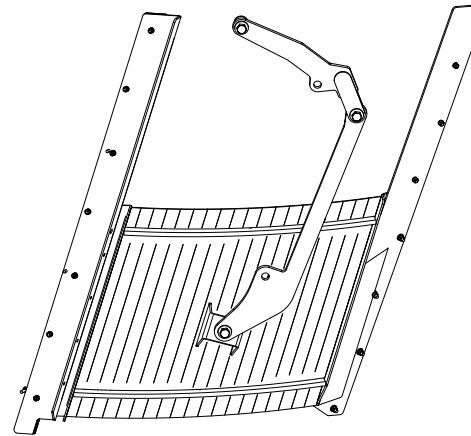
5000 SERIES MIXERS



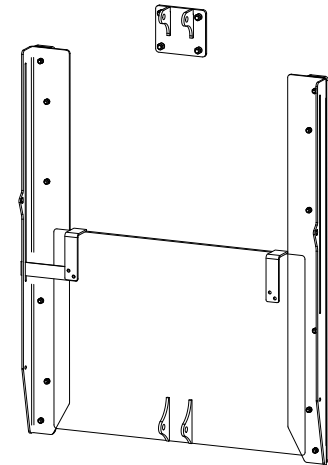
FRONT CENTRE
DOOR



REAR CENTRE
DOOR



CORNER
DOOR



CENTRE-SIDE
DOOR

DRAWN : CDiRamio DATE : 2/25/2016 MAT : TITLE : 5000 Series Doors (5350 thru 51250)		TOLERANCES (UNLESS SPECIFIED OTHERWISE) FRACTIONAL ± 1/16" DEC X.X ± 0.1" DEC X.XX ± 0.06" DEC X.XXX ± 0.031" ANGULAR ± 0.5°
PART NO : AAA-054-00329 PRINT DATE: 3/7/2016 SHEET 1 OF 5		

REV	DATE	DESCRIPTION OF CHANGE	ECN #	AUTHOR
A	2/25/2016	INITIAL REVISION	N/A	

CONFIDENTIAL: THESE DRAWINGS AND COPIES THEREOF REMAIN THE PROPERTY OF JAY-LOR FABRICATING INC. ANY PERSON FOUND UNLAWFULLY USING, DISTRIBUTING, OR IN POSSESSION OF THE ABOVE WILL BE PROSECUTED

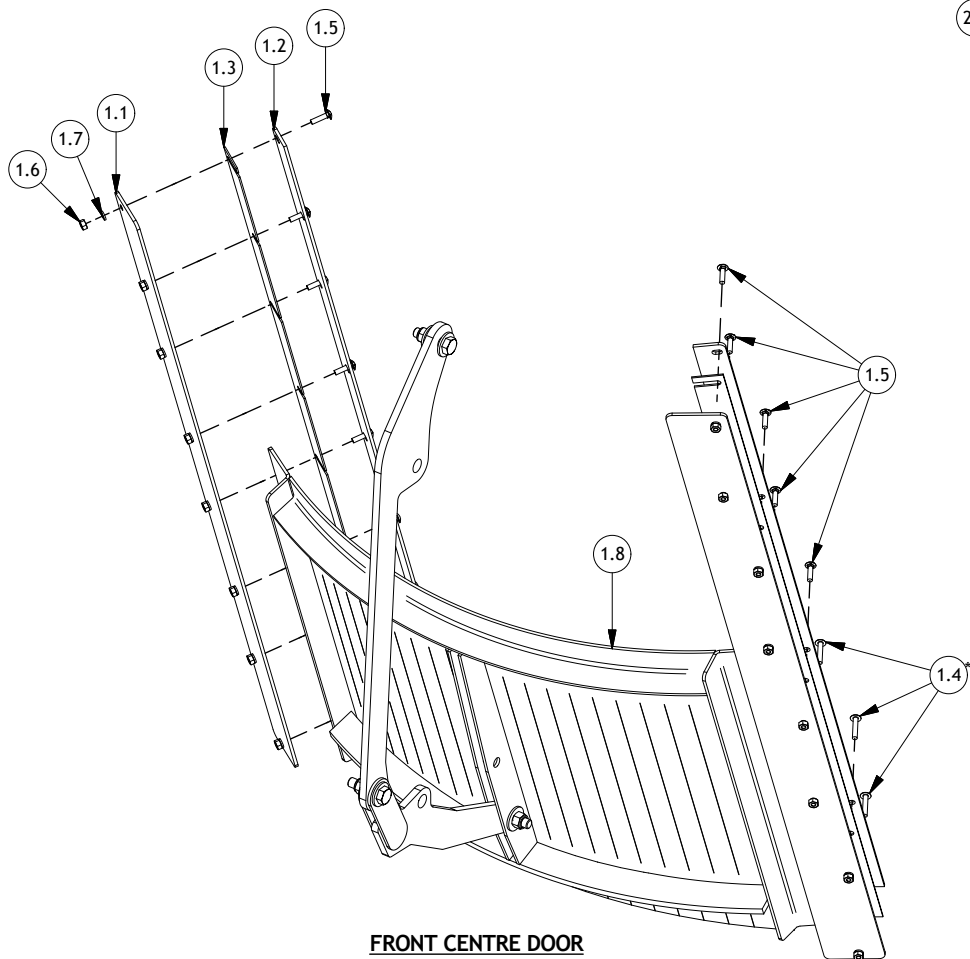
Parts List

ITEM	PART NUMBER	TITLE	QTY
1.1	AAA-001-00857	OUTER DOOR TRACK 1/4T X 67H	2
1.2	AAA-001-00860	INNER DOOR SPCR 1/4T X 67H	2
1.3	AAA-001-00859	INNER DOOR SPCR 1/8T X 67H	2
1.4	AAB-015-10081	BOLT CARRIAGE 3/8 X 2 UNC GRD 5	6
1.5	AAB-015-10061	BOLT CARRIAGE 3/8 X 1-1/2 UNC GRD 5	10
1.6	AAB-015-20017	NUT HEX 3/8 UNC GRD 2	16
1.7	AAB-015-30017	WSHR LOCK 3/8	16
1.8	SEE REFERENCE TABLE	FRONT CENTRE DOOR PANEL	1
2.1	AAB-015-10061	BOLT CARRIAGE 3/8 X 1-1/2 UNC GRD 5	8
2.2	AAA-001-01377	INNER DOOR SPCR 1/8T X 58.5H	2
2.3	AAA-001-01378	INNER DOOR SPCR 1/4T X 58.5H	2
2.4	AAA-001-01376	OUTER DOOR TRACK 1/4T X 58.5H	2
2.5	SEE REFERENCE TABLE	LOW PROFILE (LP) FRONT CENTRE DOOR PANEL	1
2.6	AAB-015-10081	BOLT CARRIAGE 3/8 X 2 UNC GRD 5	6
2.7	AAB-015-20017	NUT HEX 3/8 UNC GRD 2	14
2.8	AAB-015-30017	WSHR LOCK 3/8	14

REFERENCE TABLES

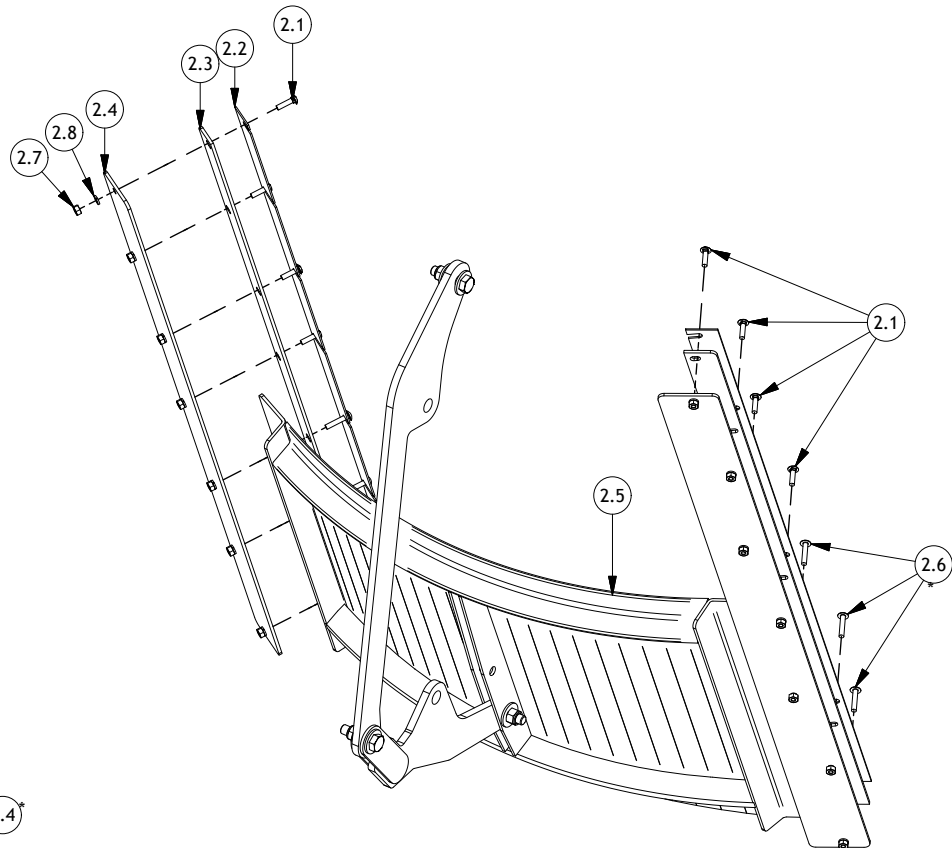
ITEM 1.8 - FRONT CENTRE DOOR PANEL	
MODEL	PART NUMBER
5350	AAA-001-00813
5425	AAA-001-00767
5575	AAA-001-00814
5650	AAA-001-00813
5750	AAA-001-00813
5850	AAA-001-00767
5750HD	AAA-001-00813
5850HD	AAA-001-00767
51000HD	AAA-001-00814
51250HD	AAA-001-00814

ITEM 2.5 - LP FRONT CENTRE DOOR PANEL	
MODEL	PART NUMBER
5400	AAA-001-01660
5600	AAA-001-01676



FRONT CENTRE DOOR

*NOTE:
 - ALL DOOR TRACK BOLTS USE THE SAME WASHERS AND NUTS
 - LOWER 3 DOOR TRACK BOLTS ARE LONGER THAN UPPER BOLTS



LOW-PROFILE (LP) FRONT CENTRE DOOR

*NOTE:
 - ALL DOOR TRACK BOLTS USE THE SAME WASHERS AND NUTS
 - LOWER 3 DOOR TRACK BOLTS ARE LONGER THAN UPPER BOLTS

DRAWN : CDiRamo		TOLERANCES (UNLESS SPECIFIED OTHERWISE)
DATE : 2/25/2016		FRACTIONAL ± 1/16"
MAT :		DEC X.X ± 0.1"
TITLE : 5000 Series Doors (5350 thru 51250)		DEC X.XX ± 0.06"
		DEC X.XXX ± 0.031"
		ANGULAR ± 0.5°
PART NO : AAA-054-00329	PRINT DATE: 3/7/2016	SHEET 2 OF 5
<small>CONFIDENTIAL: THESE DRAWINGS AND COPIES THEREOF REMAIN THE PROPERTY OF JAY-LOR FABRICATING INC. ANY PERSON FOUND UNLAWFULLY USING, DISTRIBUTING, OR IN POSSESSION OF THE ABOVE WILL BE PROSECUTED</small>		

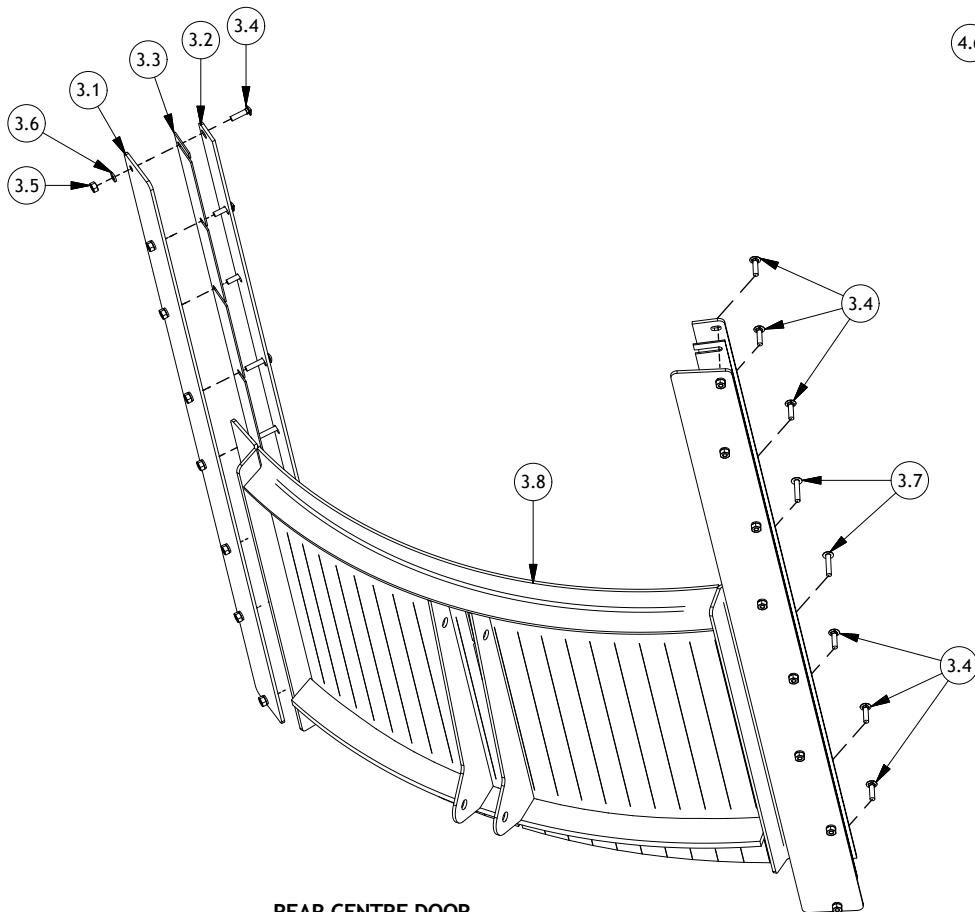
Parts List

ITEM	PART NUMBER	TITLE	QTY
3	AAA-001-01560	90° REAR DOOR KIT (WITH TRACK/HARDWARE)	1
3.1	AAA-001-00857	OUTER DOOR TRACK 1/4T X 67H	2
3.2	AAA-001-00860	INNER DOOR SPCR 1/4T X 67H	2
3.3	AAA-001-00859	INNER DOOR SPCR 1/8T X 67H	2
3.4	AAB-015-10061	BOLT CARRIAGE 3/8 X 1-1/2 UNC GRD 5	12
3.5	AAB-015-20017	NUT HEX 3/8 UNC GRD 2	16
3.6	AAB-015-30017	WSHR LOCK 3/8	16
3.7	AAB-015-10081	BOLT CARRIAGE 3/8 X 2 UNC GRD 5	4
3.8	SEE REFERENCE TABLE	REAR CENTRE DOOR PANEL	1
4	AAA-001-01663	FRT CTR & REAR CTR DISCHARGE DRUM KIT 5400LP	1
4.1	AAB-015-10081	BOLT CARRIAGE 3/8 X 2 UNC GRD 5	4
4.2	AAB-015-10061	BOLT CARRIAGE 3/8 X 1-1/2 UNC GRD 5	10
4.3	AAA-001-01376	OUTER DOOR TRACK 1/4T X 58.5H	2
4.4	AAA-001-01378	INNER DOOR SPCR 1/4T X 58.5H	2
4.5	AAA-001-01377	INNER DOOR SPCR 1/8T X 58.5H	2
4.6	AAB-015-20017	NUT HEX 3/8 UNC GRD 2	14
4.7	AAB-015-30017	WSHR LOCK 3/8	14
4.8	SEE REFERENCE TABLE	LOW PROFILE (LP) REAR CENTRE DOOR PANEL	1

REFERENCE TABLES

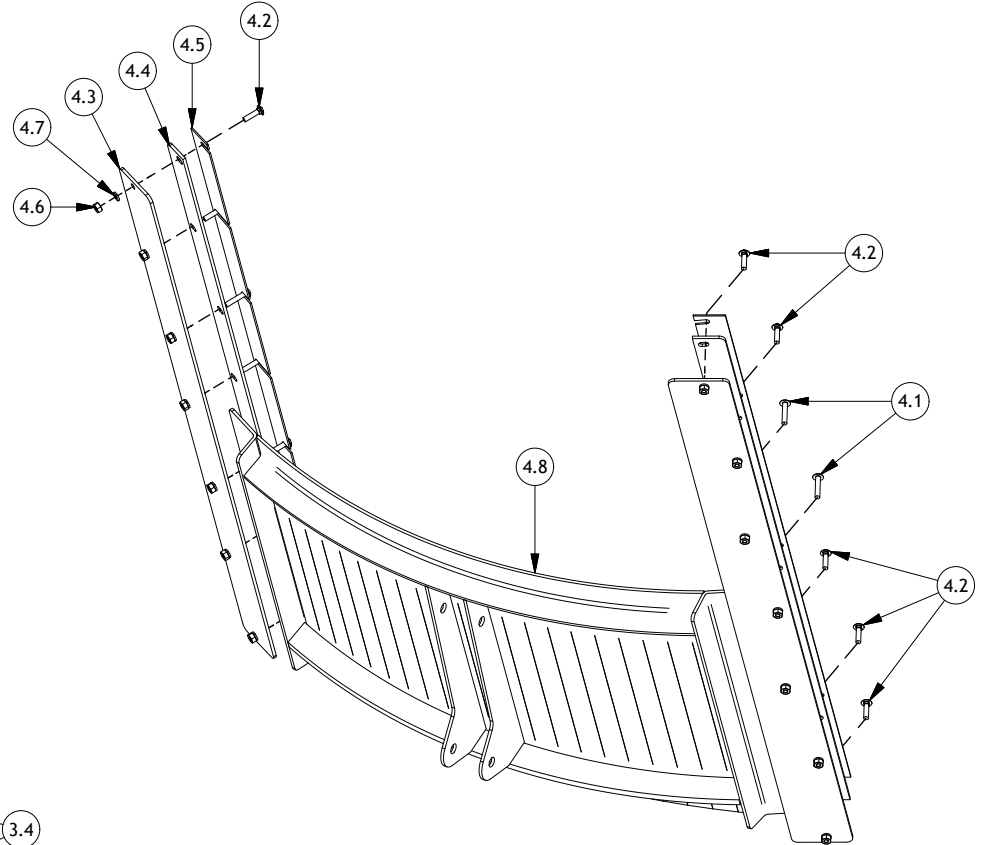
ITEM 3.8 - REAR CENTRE DOOR PANEL	
MODEL	PART NUMBER
5350	AAA-001-00812
5425	AAA-001-00811
5575	AAA-001-00515
5650	AAA-001-00812
5750	AAA-001-00812
5850	AAA-001-00811
5750HD	AAA-001-00812
5850HD	AAA-001-00811
51000HD	AAA-001-00515
51250HD	AAA-001-00515

ITEM 4.8 - LP REAR CENTRE DOOR PANEL	
MODEL	PART NUMBER
5400	AAA-001-01665
5600	AAA-001-01637



REAR CENTRE DOOR

- *NOTE:
 - ALL DOOR TRACK BOLTS USE THE SAME WASHERS AND NUTS
 - MIDDLE 2 DOOR TRACK BOLTS ARE LONGER THAN OTHERS



LOW-PROFILE (LP) REAR CENTRE DOOR

- *NOTE:
 - ALL DOOR TRACK BOLTS USE THE SAME WASHERS AND NUTS
 - MIDDLE 2 DOOR TRACK BOLTS ARE LONGER THAN OTHERS

DRAWN : CDiRamio		TOLERANCES (UNLESS SPECIFIED OTHERWISE)
DATE : 2/25/2016		FRACTIONAL ± 1/16"
MAT :		DEC X.X ± 0.1" DEC X.XX ± 0.06" DEC X.XXX ± 0.031" ANGULAR ± 0.5°
TITLE : 5000 Series Doors (5350 thru 51250)		
PART NO : AAA-054-00329	PRINT DATE: 3/7/2016	SHEET 3 OF 5
<small>CONFIDENTIAL: THESE DRAWINGS AND COPIES THEREOF REMAIN THE PROPERTY OF JAY-LOR FABRICATING INC. ANY PERSON FOUND UNLAWFULLY USING, DISTRIBUTING, OR IN POSSESSION OF THE ABOVE WILL BE PROSECUTED</small>		

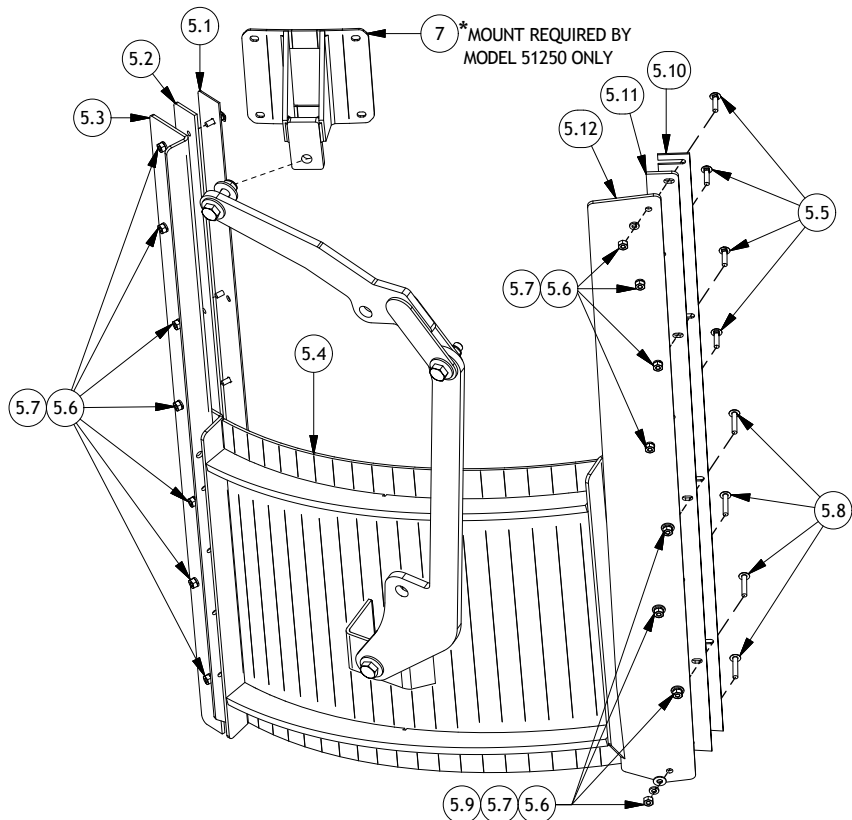
Parts List

ITEM	PART NUMBER	TITLE	QTY
5.1	AAA-001-00621C	INNER CORNER DOOR SPCR REAR 1/8T	1
5.2	AAA-001-00622C	INNER CORNER DOOR SPCR REAR 64 1/4H X 1/4T	1
5.3	AAA-001-00623B	OUTER CORNER DOOR TRACK REAR 64 1/4H X 1/4T	1
5.4	SEE REFERENCE TABLE	CORNER DOOR PANEL	1
5.5	AAB-015-10061	BOLT CARRIAGE 3/8 X 1-1/2 UNC GRD 5	11
5.6	AAB-015-20017	NUT HEX 3/8 UNC GRD 2	15
5.7	AAB-015-30017	WSHR LOCK 3/8	15
5.8	AAB-015-10081	BOLT CARRIAGE 3/8 X 2 UNC GRD 5	4
5.9	AAB-015-30012	WSHR FLAT 3/8 USS	4
5.10	AAA-001-00859	INNER DOOR SPCR 1/8T X 67H	1
5.11	AAA-001-00860	INNER DOOR SPCR 1/4T X 67H	1
5.12	AAA-001-00901	OUTER DOOR TRACK 1/4T X 67-1/2H (CORNER DOORS)	1
6.1	AAB-015-10061	BOLT CARRIAGE 3/8 X 1-1/2 UNC GRD 5	10
6.2	AAA-001-01646	INNER CORNER DOOR SPCR REAR 1/8T LP	1
6.3	AAA-001-01645	INNER CORNER DOOR SPCR REAR 1/4T LP	1
6.4	AAA-001-01643	OUTER CORNER DOOR TRACK 1/4T LP	1
6.5	AAA-001-01377	INNER DOOR SPCR 1/8T X 58.5H	1
6.6	AAA-001-01378	INNER DOOR SPCR 1/4T X 58.5H	1
6.7	AAA-001-01644	OUTER DOOR TRACK 1/4T LP CORNER DOOR	1
6.8	AAB-015-20017	NUT HEX 3/8 UNC GRD 2	13
6.9	AAB-015-30017	WSHR LOCK 3/8	13
6.10	SEE REFERENCE TABLE	LOW-PROFILE (LP) CORNER DOOR PANEL	1
6.11	AAB-015-30012	WSHR FLAT 3/8 USS	3
6.12	AAB-015-10081	BOLT CARRIAGE 3/8 X 2 UNC GRD 5	3
7	AAA-001-01727-P3	TOP CYL MNT CRNR DOOR 51250 (PARTS ORDER)	1

REFERENCE TABLES

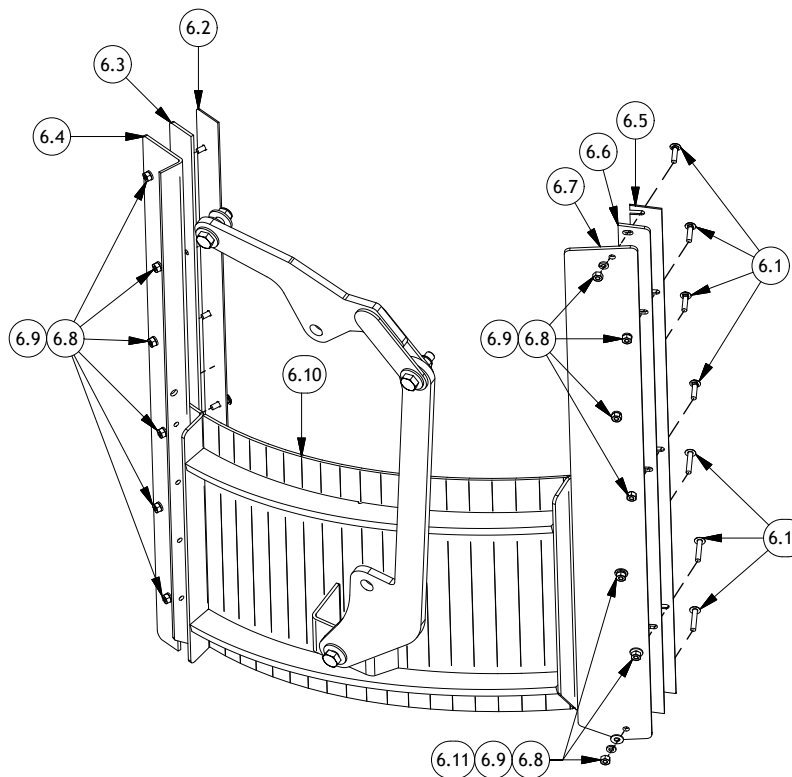
ITEM 5.4 - CORNER DOOR PANEL	
MODEL	PART NUMBER
5350	AAA-001-00334
5425	AAA-001-00272
5575	AAA-001-00330
5650	AAA-001-00334
5750	AAA-001-00334
5850	AAA-001-00767
5750HD	AAA-001-00334
5850HD	AAA-001-00272
51000HD	AAA-001-00330
51250HD	AAA-001-00330

ITEM 6.10 - LP CORNER DOOR PANEL	
MODEL	PART NUMBER
5400	AAA-001-01668
5600	AAA-001-01647



CORNER DOOR

*NOTE:
- LOWER 4 BOLTS IN THE FLAT DOOR TRACK ARE LONGER THAN OTHERS



LOW-PROFILE (LP) CORNER DOOR

*NOTE:
- LOWER 3 BOLTS IN THE FLAT DOOR TRACK ARE LONGER THAN OTHERS

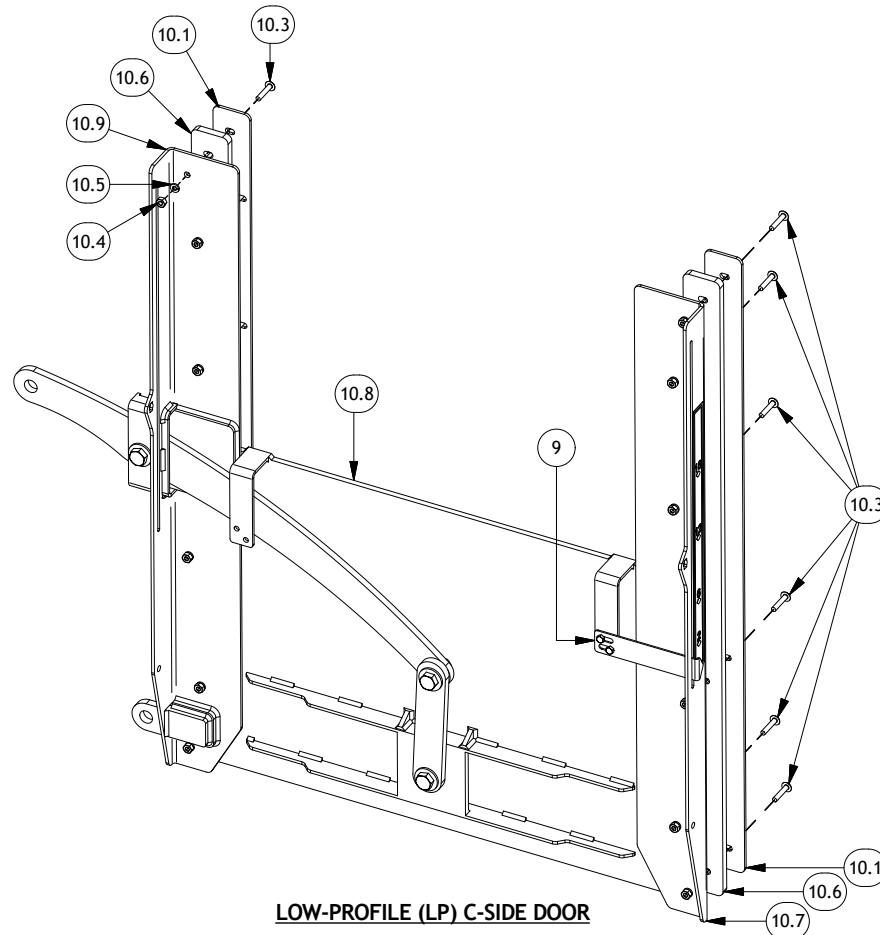
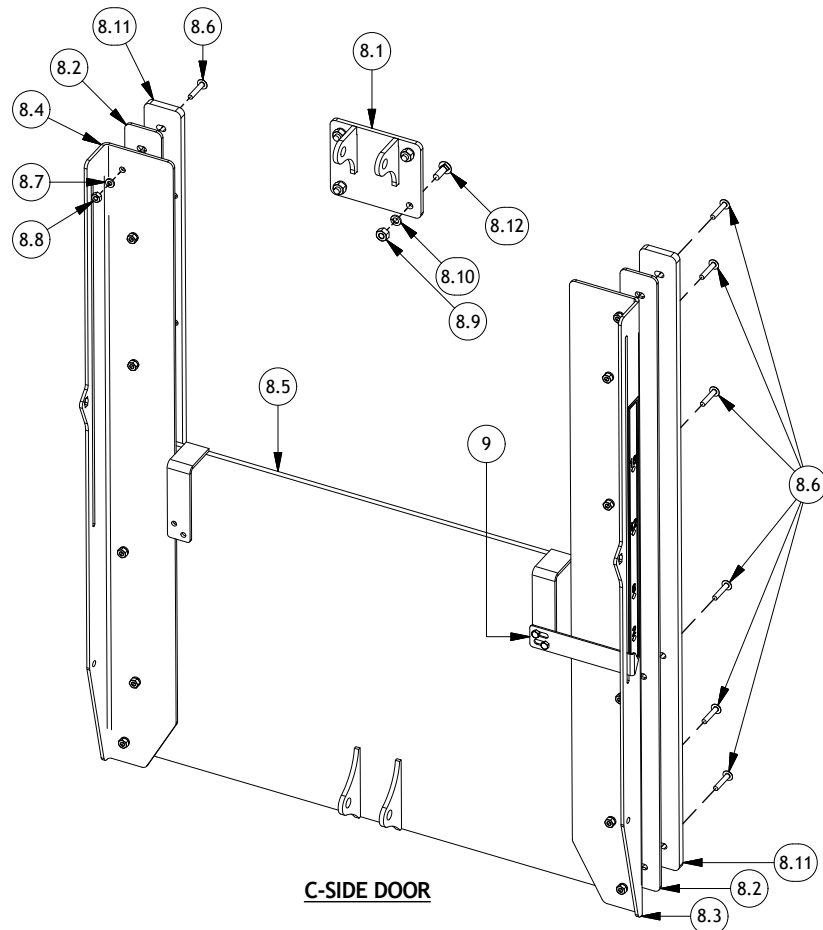
DRAWN : CDiRamo	JAY-LOR® Fabricating Inc	TOLERANCES (UNLESS SPECIFIED OTHERWISE)
DATE : 2/25/2016		FRACTIONAL ± 1/16"
MAT :		DEC X.XX ± 0.1"
		DEC X.XXX ± 0.031"
		ANGULAR ± 0.5°
TITLE : 5000 Series Doors (5350 thru 51250)		
PART NO : AAA-054-00329	PRINT DATE: 3/7/2016	SHEET 4 OF 5
CONFIDENTIAL: THESE DRAWINGS AND COPIES THEREOF REMAIN THE PROPERTY OF JAY-LOR FABRICATING INC. ANY PERSON FOUND UNLAWFULLY USING, DISTRIBUTING, OR IN POSSESSION OF THE ABOVE WILL BE PROSECUTED		

Parts List

ITEM	PART NUMBER	TITLE	QTY
8.1	SEE REFERENCE TABLE	C-SIDE UPPER CYLINDER LUG	1
8.2	AAA-001-01577	C-SIDE DOOR SPCR 1/4T	2
8.3	AAA-001-01578	C-SIDE DOOR TRACK RTH 1/4T	1
8.4	AAA-001-01579	C-SIDE DOOR TRACK LTH 1/4T	1
8.5	AAA-001-01287	DOOR C-SIDE WELDMENT	1
8.6	AAB-015-10081	BOLT CARRIAGE 3/8 X 2 UNC GRD 5	12
8.7	AAB-015-30017	WSHR LOCK 3/8	12
8.8	AAB-015-20017	NUT HEX 3/8 UNC GRD 2	12
8.9	AAB-015-20011	NUT HEX 1/2 UNC GRD 5	4
8.10	AAB-015-30018	WSHR LOCK 1/2	4
8.11	AAA-001-01639	C-SIDE DOOR SPCR 5/8T	2
8.12	AAB-015-10066	BOLT CARRIAGE 1/2 X 1-1/2 UNC GRD 5	4
9	AAA-001-01699	C-SIDE DOOR HEIGHT INDICATOR FINAL ASSY KIT	3
10.1	AAA-001-01577	C-SIDE DOOR SPCR 1/4T	2
10.3	AAB-015-10081	BOLT CARRIAGE 3/8 X 2 UNC GRD 5	12
10.4	AAB-015-20017	NUT HEX 3/8 UNC GRD 2	12
10.5	AAB-015-30017	WSHR LOCK 3/8	12
10.6	AAA-001-01639	C-SIDE DOOR SPCR 5/8T	2
10.7	AAA-001-01578	C-SIDE DOOR TRACK RTH 1/4T	1
10.8	AAA-001-02829	LP C-SIDE DOOR	1
10.9	AAA-001-02826	LP RTH C-SIDE DOOR TRACK PAINTED	1

REFERENCE TABLES

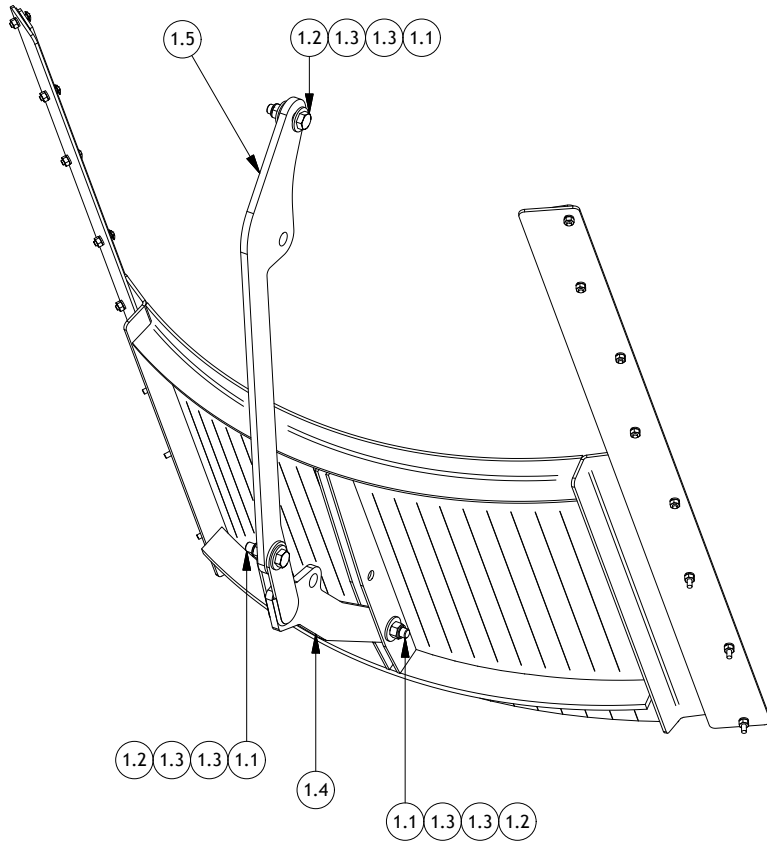
ITEM 8.1 - C-SIDE UPPER CYLINDER LUG	
MODEL	PART NUMBER
5350	AAA-001-01576
5425	AAA-001-01576
5575	AAA-001-01576
5650	AAA-001-01576
5750	AAA-001-01576
5850	AAA-001-01576
5750HD	AAA-001-01576
5850HD	AAA-001-01576
51000HD	AAA-001-01576
51250HD	AAA-001-01733-P3



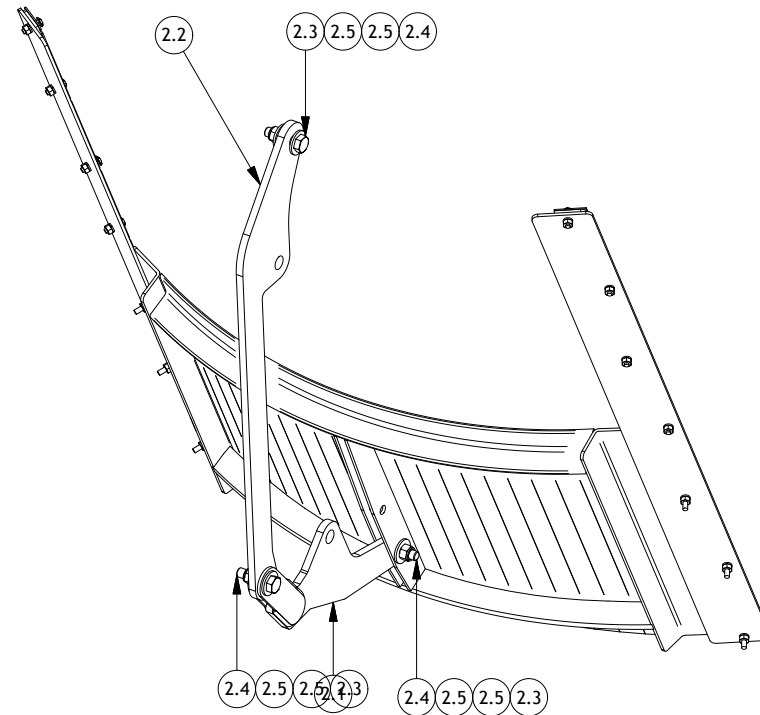
DRAWN : CDiRamio			TOLERANCES (UNLESS SPECIFIED OTHERWISE)
DATE : 2/25/2016			FRACTIONAL ± 1/16"
MAT :		DEC X.XX ± 0.1"	DEC X.XXX ± 0.06"
TITLE : 5000 Series Doors (5350 thru 51250)		DEC X.XXX ± 0.031"	ANGULAR ± 0.5°
PART NO : AAA-054-00329	PRINT DATE: 3/7/2016	SHEET 5 OF 5	
<small>CONFIDENTIAL: THESE DRAWINGS AND COPIES THEREOF REMAIN THE PROPERTY OF JAY-LOR FABRICATING INC. ANY PERSON FOUND UNLAWFULLY USING, DISTRIBUTING, OR IN POSSESSION OF THE ABOVE WILL BE PROSECUTED</small>			

Parts List

ITEM	PART NUMBER	TITLE	QTY
1	AAA-001-01632	FRT DOOR ARM AND LINKAGE KIT (5000 SERIES)	1
1.1	AAB-015-20016	NUT HEX LOCK NYLON 3/4 UNC GRD 8	3
1.2	AAB-015-10079	BOLT HEX 3/4 X 3 UNC GRD 5	3
1.3	AAB-015-30015	WSHR FLAT 3/4 USS	6
1.4	AAA-001-00536-P3	LWR ARM WELDMENT SINGLE CYDR HOLE	1
1.5	AAA-001-00737-P3	LONG DOOR ARM 5/8T (PAINTED)	1
2	AAA-001-01689	LP FRT DOOR ARM AND LINKAGE KIT (5000 SERIES)	1
2.1	AAA-001-01349-P3	SHORT DOOR ARM LP SINGLE CYL HOLE	1
2.2	AAA-001-00737-P3	LONG DOOR ARM 5/8T (PAINTED)	1
2.3	AAB-015-10079	BOLT HEX 3/4 X 3 UNC GRD 5	3
2.4	AAB-015-20016	NUT HEX LOCK NYLON 3/4 UNC GRD 8	3
2.5	AAB-015-30015	WSHR FLAT 3/4 USS	6



FRONT CENTRE DOOR



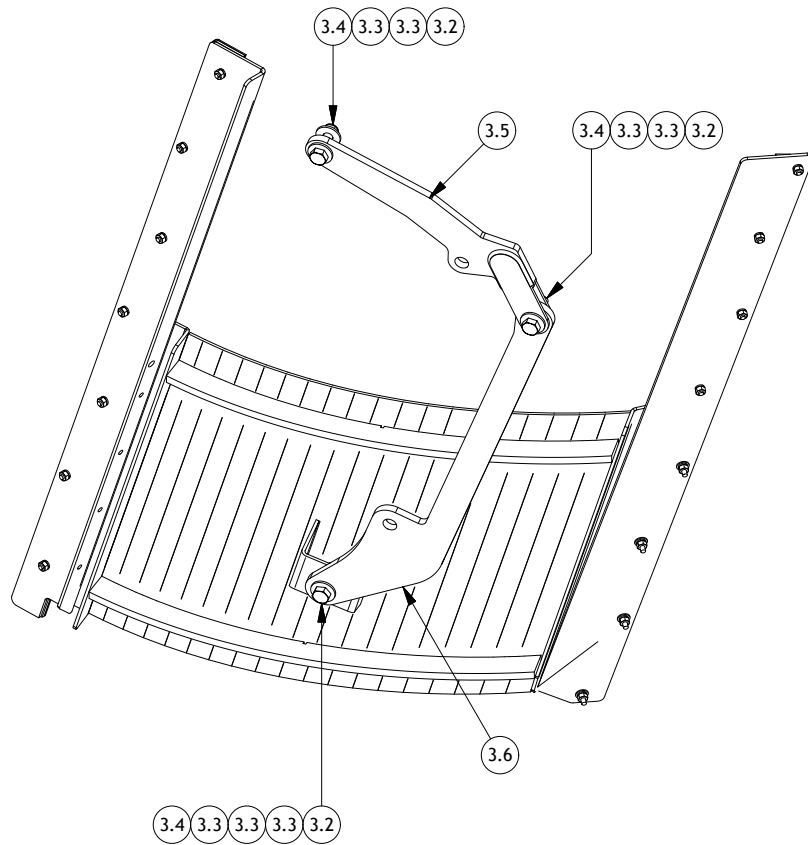
LOW-PROFILE (LP) FRONT CENTRE DOOR

DRAWN : CDiRamio		TOLERANCES (UNLESS SPECIFIED OTHERWISE)
DATE : 3/7/2016		FRACTIONAL ± 1/16"
MAT :		DEC X.X ± 0.1" DEC X.XX ± 0.06" DEC X.XXX ± 0.031" ANGULAR ± 0.5°
TITLE : 5000 Series Door Arms (5350 thru 51250)		
PART NO : AAA-054-00330	PRINT DATE: 3/8/2016	SHEET 1 OF 3
<small>CONFIDENTIAL: THESE DRAWINGS AND COPIES THEREOF REMAIN THE PROPERTY OF JAY-LOR FABRICATING INC. ANY PERSON FOUND UNLAWFULLY USING, DISTRIBUTING, OR IN POSSESSION OF THE ABOVE WILL BE PROSECUTED</small>		

REV	DATE	DESCRIPTION OF CHANGE	ECN #	AUTHOR
A	3/7/2016	INITIAL REVISION	N/A	

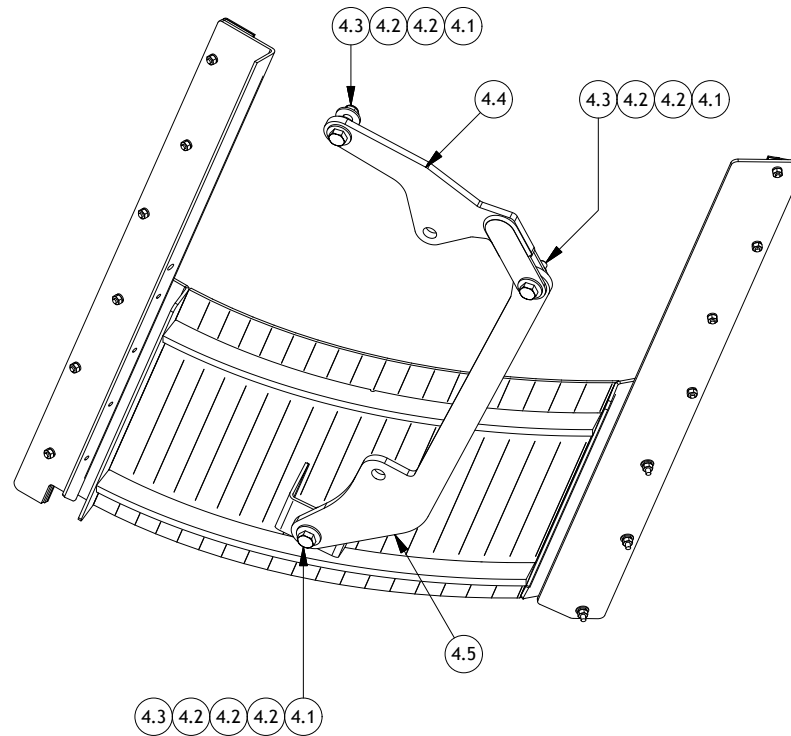
Parts List

ITEM	PART NUMBER	TITLE	QTY
3	AAA-001-01683	90° CORNER DOOR FLAT FLOOR FINAL ASSY DOOR KIT	1
3.1	AAA-001-00328B	DRUM SHIELD 1/8T (90° DIA)	1
3.2	AAB-015-10079	BOLT HEX 3/4 X 3 UNC GRD 5	3
3.3	AAB-015-30015	WSHR FLAT 3/4 USS	8
3.4	AAB-015-20016	NUT HEX LOCK NYLON 3/4 UNC GRD 8	3
3.5	AAA-001-00536-P3	LWR ARM WELDMENT SINGLE CYDR HOLE	1
3.6	AAA-001-00737-P3	LONG DOOR ARM 5/8T (PAINTED)	1
4	AAA-001-01652	96° LP CORNER DROP FLR FINAL ASSY DOOR KIT	1
4.1	AAB-015-10079	BOLT HEX 3/4 X 3 UNC GRD 5	3
4.2	AAB-015-30015	WSHR FLAT 3/4 USS	10
4.3	AAB-015-20016	NUT HEX LOCK NYLON 3/4 UNC GRD 8	3
4.4	AAA-001-01349-P3	SHORT DOOR ARM LP SINGLE CYL HOLE	1
4.5	AAA-001-00737-P3	LONG DOOR ARM 5/8T (PAINTED)	1



3.4 3.3 3.3 3.3 3.2

CORNER DOOR

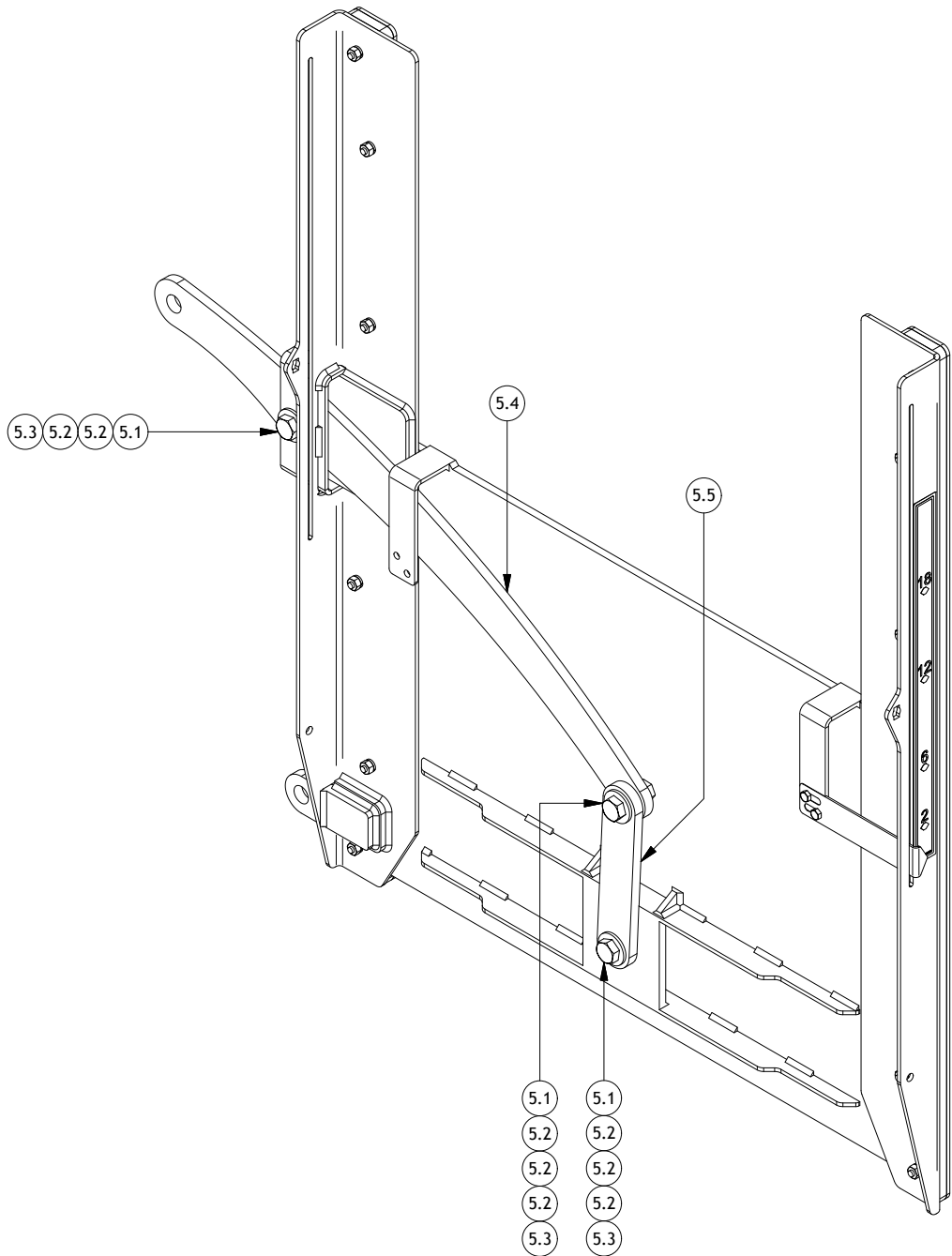


4.3 4.2 4.2 4.2 4.1

LOW-PROFILE (LP) CORNER DOOR

DRAWN : CDiRamio			TOLERANCES (UNLESS SPECIFIED OTHERWISE) FRACTIONAL ± 1/16" DEC X.X ± 0.1" DEC X.XX ± 0.06" DEC X.XXX ± 0.031" ANGULAR ± 0.5°
DATE : 3/7/2016			
MAT :			
TITLE : 5000 Series Door Arms (5350 thru 51250)			
PART NO : AAA-054-00330		PRINT DATE: 3/8/2016	SHEET 2 OF 3
CONFIDENTIAL: THESE DRAWINGS AND COPIES THEREOF REMAIN THE PROPERTY OF JAY-LOR FABRICATING INC. ANY PERSON FOUND UNLAWFULLY USING, DISTRIBUTING, OR IN POSSESSION OF THE ABOVE WILL BE PROSECUTED			

Parts List			
ITEM	PART NUMBER	TITLE	QTY
5	AAA-001-02833	LP C-SIDE DOOR ARM LINKAGE ASSY (W/ HARDWARE)	1
5.1	AAB-015-10079	BOLT HEX 3/4 X 3 UNC GRD 5	3
5.2	AAB-015-30015	WSHR FLAT 3/4 USS	8
5.3	AAB-015-20016	NUT HEX LOCK NYLON 3/4 UNC GRD 8	3
5.4	AAA-001-02831-P3	LP C-SIDE DOOR ARM LINKAGE (PAINTED)	1
5.5	AAA-001-02832-P3	LP C-SIDE DOOR LINKAGE (PAINTED)	1



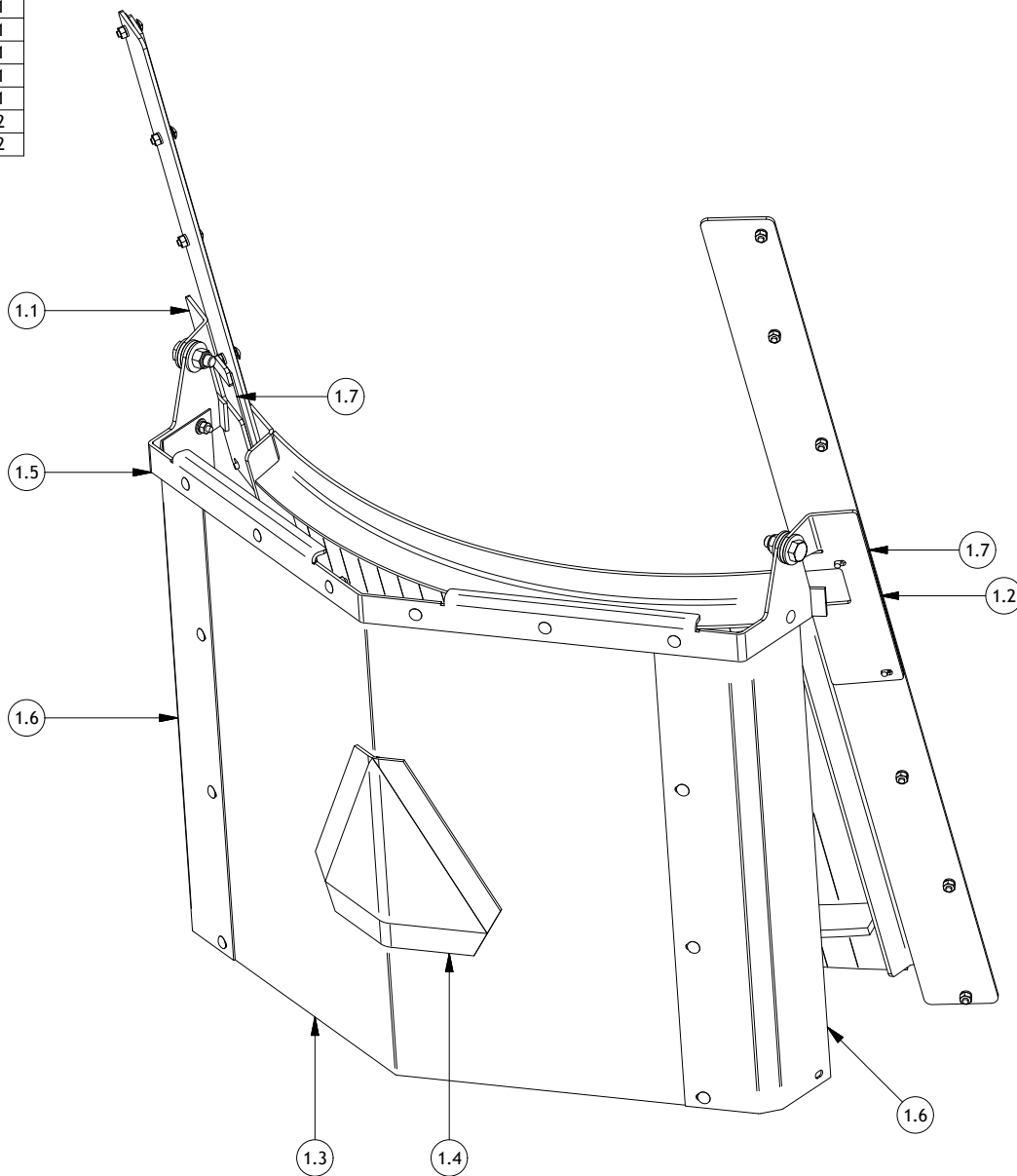
LOW PROFILE (LP) C-SIDE DOOR

* NOTE: ONLY LOW-PROFILE C-SIDE DOORS REQUIRE DOOR ARMS

DRAWN : CDiRamio		TOLERANCES (UNLESS SPECIFIED OTHERWISE)
DATE : 3/7/2016		FRACTIONAL ± 1/16"
MAT :		DEC X.X ± 0.1" DEC X.XX ± 0.06" DEC X.XXX ± 0.031" ANGULAR ± 0.5°
TITLE : 5000 Series Door Arms (5350 thru 51250)		
PART NO : AAA-054-00330	PRINT DATE: 3/8/2016	SHEET 3 OF 3
<small>CONFIDENTIAL: THESE DRAWINGS AND COPIES THEREOF REMAIN THE PROPERTY OF JAY-LOR FABRICATING INC. ANY PERSON FOUND UNLAWFULLY USING, DISTRIBUTING, OR IN POSSESSION OF THE ABOVE WILL BE PROSECUTED</small>		

Parts List

ITEM	PART NUMBER	TITLE	QTY
1	AAA-001-00831	REAR DOOR SHIELD ASSY	1
1.1	AAA-006-00444	REAR DOOR SHIELD PIVOT BRKT LTH 1/4T	1
1.2	AAA-006-00533	REAR DOOR SHIELD PIVOT BRKT RTH 1/4T	1
1.3	AAA-006-00445	REAR DOOR RUBR SHIELD 1/8T	1
1.4	AAB-012-00074	DECAL SMV PLASTIC BOLT ON	1
1.5	AAA-001-00832	REAR DOOR SHIELD HINGE BRKT WELDMENT 1/4T	1
1.6	AAA-006-00440	REAR DOOR SHIELD SIDE SUPT 1/8T	2
1.7	AAA-006-00532	REAR DOOR SHIELD RUBR SPCR 1/8T	2



REAR DOOR SHIELD

DRAWN : CDiRamo			TOLERANCES (UNLESS SPECIFIED OTHERWISE)
DATE : 3/8/2016			FRACTIONAL ± 1/16"
MAT :			DEC X.X ± 0.1"
TITLE : 5000 Series Door Shields (5350 thru 51250)			DEC X.XX ± 0.06"
PART NO : AAA-054-00331		PRINT DATE: 3/8/2016	DEC X.XXX ± 0.031"
REV		SHEET 1 OF 3	ANGULAR ± 0.5°
A	3/8/2016	INITIAL REVISION	
		DESCRIPTION OF CHANGE	
		ECN #	
		AUTHOR	

REV	DATE	DESCRIPTION OF CHANGE	ECN #	AUTHOR

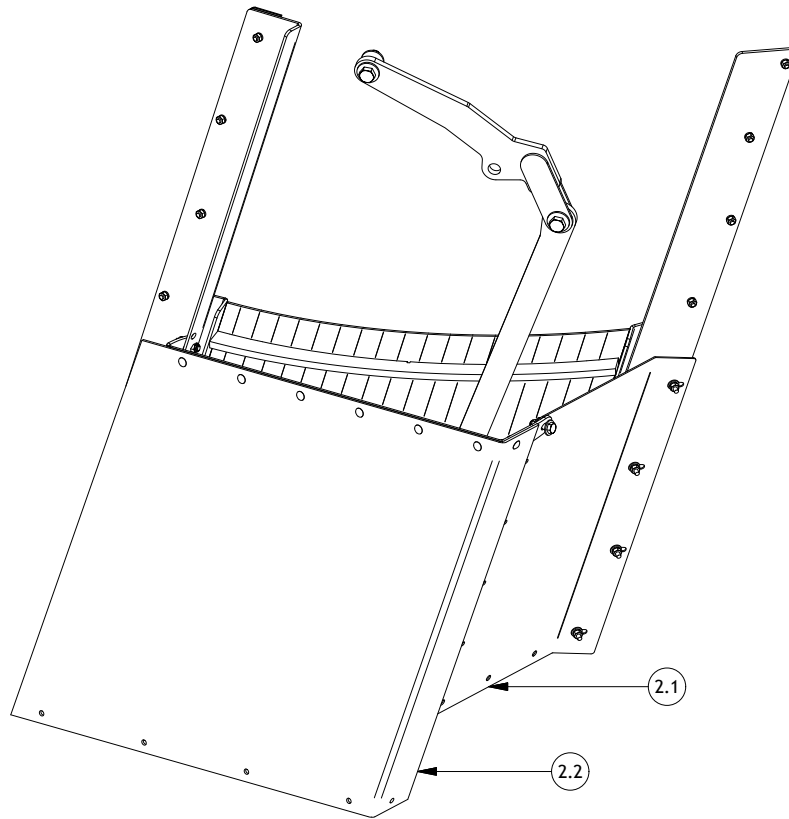
CONFIDENTIAL: THESE DRAWINGS AND COPIES THEREOF REMAIN THE PROPERTY OF JAY-LOR FABRICATING INC. ANY PERSON FOUND UNLAWFULLY USING, DISTRIBUTING, OR IN POSSESSION OF THE ABOVE WILL BE PROSECUTED

Parts List			
ITEM	PART NUMBER	TITLE	QTY
2	AAA-001-01683	90° CORNER DOOR FLAT FLOOR FINAL ASSY KIT (DOOR ARM & SHIELDS)	1
2.1	SEE REFERENCE TABLES	DRUM SHIELD 1/8T	1
2.2	SEE REFERENCE TABLES	DISCHARGE SHIELD ASSY	1
3	AAA-001-01652	96° CORNER DROP FLOOR FINAL ASSY KIT (DOOR ARM & SHIELDS)	1
3.1	SEE REFERENCE TABLES	DRUM SHIELD 1/8T	1
3.2	AAA-001-00693	LWR DRUM RUBR SHIELD 1/8T (90° & 96° DIA)	1
3.3	AAA-001-00540	HDPE FLR EXTENSION FOR 90 - 96 DIA DROP FLR MIXERS 3/8T	1
3.4	SEE REFERENCE TABLES	DISCHARGE SHIELD ASSY	1

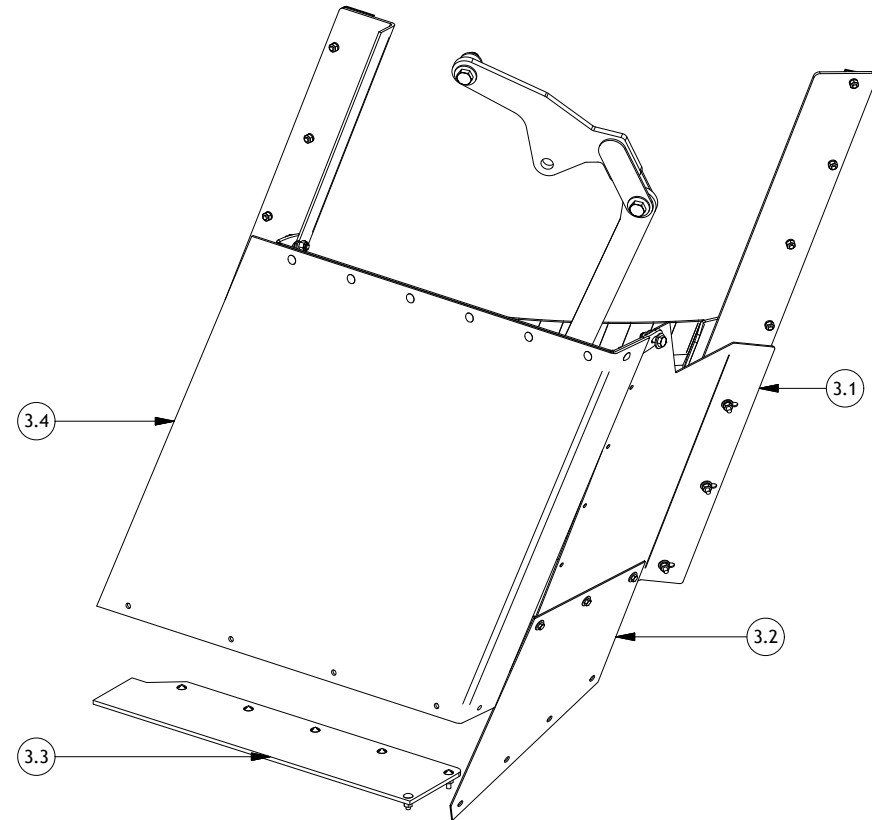
REFERENCE TABLES

PART NUMBERS FOR REGULAR CORNER DOOR SHIELDS		
MODEL	ITEM 2.1	ITEM 2.2
5350	AAA-001-00328	AAA-001-00653
5400	AAA-001-00365	AAA-001-00654
5425	AAA-001-00293	AAA-001-00653
5575	AAA-001-00336	AAA-001-00654
5600	AAA-001-01692	AAA-001-00653
5650	AAA-001-00328	AAA-001-00653
5750	AAA-001-00328	AAA-001-00653
5850	AAA-001-00293	AAA-001-00653
5750HD	AAA-001-00328	AAA-001-00653
5850HD	AAA-001-00293	AAA-001-00653
51000HD	AAA-001-00336	AAA-001-00654
51250HD	AAA-001-00336	AAA-001-00654

PART NUMBERS FOR DROP-FLOOR CORNER DOOR SHIELDS		
MODEL	ITEM 3.1	ITEM 3.4
5350	AAA-001-00328	AAA-001-00653
5400	AAA-001-00365	AAA-001-00654
5425	AAA-001-00293	AAA-001-00653
5575	AAA-001-00336	AAA-001-00654
5600	AAA-001-01692	AAA-001-00653
5650	AAA-001-00328	AAA-001-00653
5750	AAA-001-00328	AAA-001-00653
5850	AAA-001-00293	AAA-001-00653



REGULAR CONER DOOR SHIELD

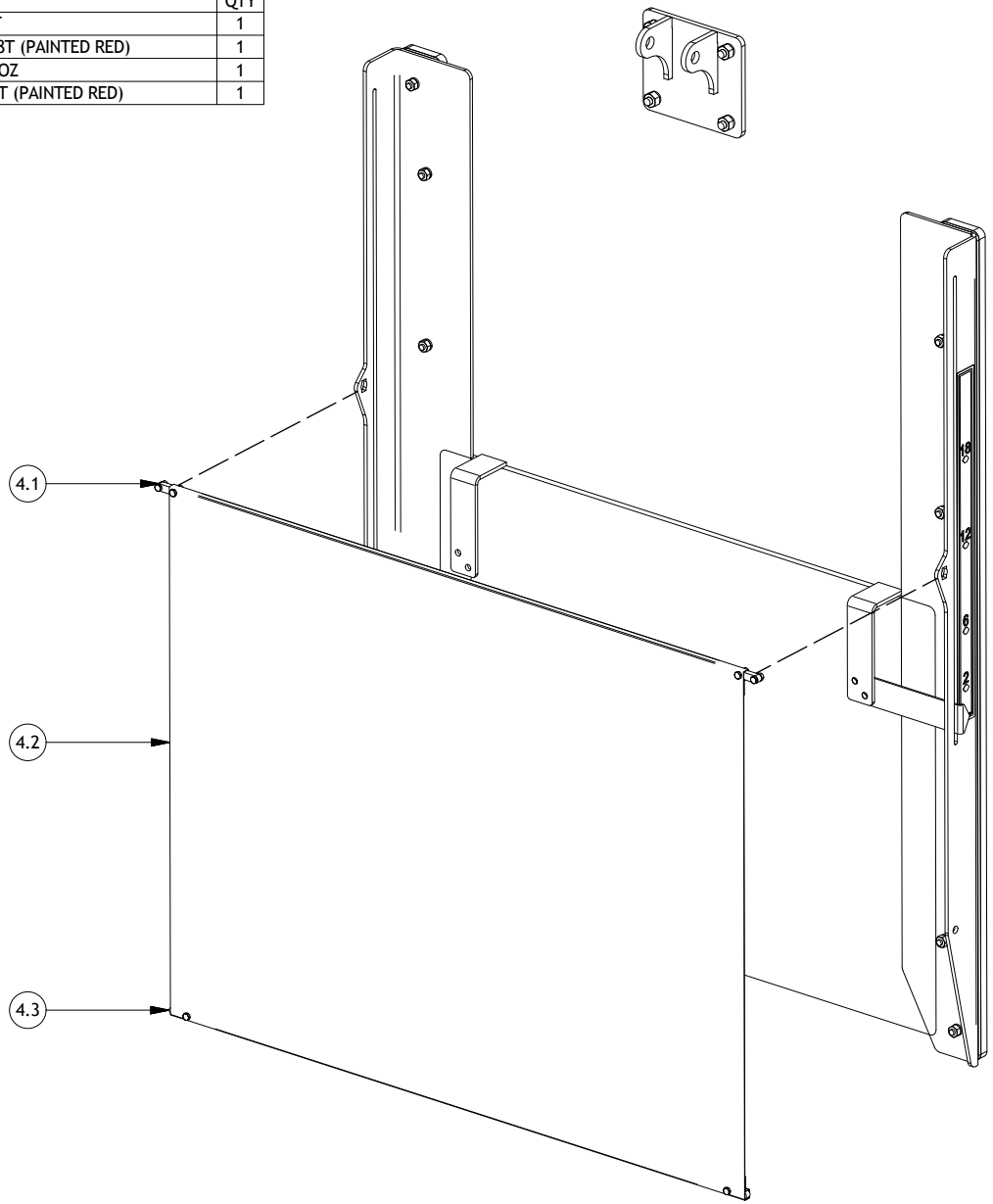


DROP-FLOOR CORNER DOOR SHIELD

DRAWN : CDiRamio		TOLERANCES (UNLESS SPECIFIED OTHERWISE)
DATE : 3/8/2016		FRACTIONAL ± 1/16"
MAT :		DEC X.X ± 0.1" DEC X.XX ± 0.06" DEC X.XXX ± 0.031" ANGULAR ± 0.5°
TITLE : 5000 Series Door Shields (5350 thru 51250)		
PART NO : AAA-054-00331	PRINT DATE: 3/8/2016	SHEET 2 OF 3
CONFIDENTIAL: THESE DRAWINGS AND COPIES THEREOF REMAIN THE PROPERTY OF JAY-LOR FABRICATING INC. ANY PERSON FOUND UNLAWFULLY USING, DISTRIBUTING, OR IN POSSESSION OF THE ABOVE WILL BE PROSECUTED		

Parts List

ITEM	PART NUMBER	TITLE	QTY
4	AAA-001-01583	C-SIDE DISCHARGE SHIELD ASSY KIT	1
4.1	AAA-001-01581-P1	C-SIDE SHIELD UPPR CROSS BAR 3/8T (PAINTED RED)	1
4.2	AAB-001-00047	C-SIDE TARP DISHCARGE SHIELD 40OZ	1
4.3	AAA-001-01582-P1	C-SIDE SHIELD LWR CROSS BAR 3/8T (PAINTED RED)	1



C-SIDE DOOR SHIELD

DRAWN : CDiRamio		TOLERANCES (UNLESS SPECIFIED OTHERWISE)
DATE : 3/8/2016		FRACTIONAL ± 1/16"
MAT :		DEC X.X ± 0.1" DEC X.XX ± 0.06" DEC X.XXX ± 0.031" ANGULAR ± 0.5°
TITLE : 5000 Series Door Shields (5350 thu 51250)		
PART NO : AAA-054-00331	PRINT DATE: 3/8/2016	SHEET 3 OF 3
<small>CONFIDENTIAL: THESE DRAWINGS AND COPIES THEREOF REMAIN THE PROPERTY OF JAY-LOR FABRICATING INC. ANY PERSON FOUND UNLAWFULLY USING, DISTRIBUTING, OR IN POSSESSION OF THE ABOVE WILL BE PROSECUTED</small>		

G. 002 – FRAME / HITCH PARTS

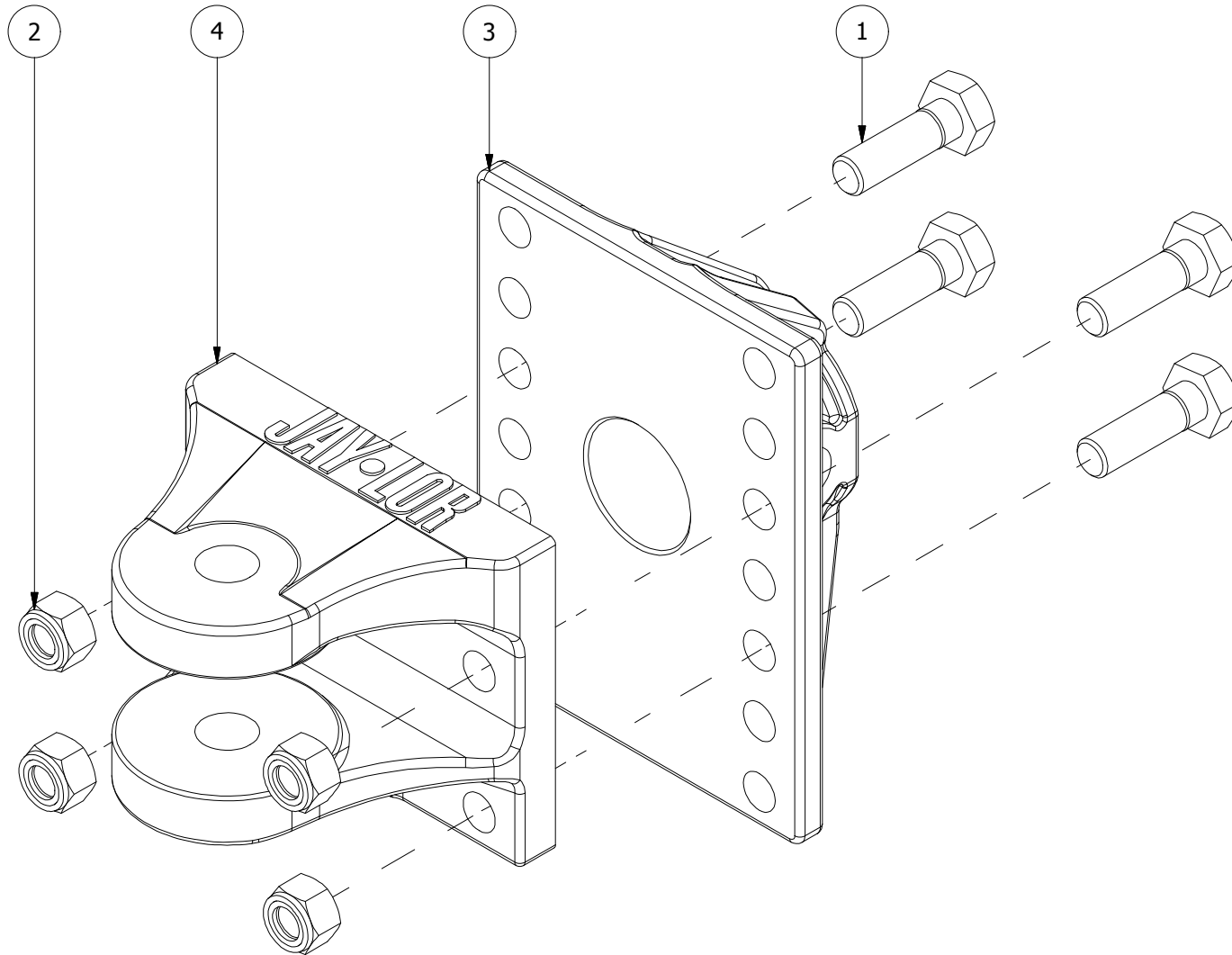
Drawing Number Reference Chart:

Part	Model			
	5600	5650	5750	5850
Hitch	AAA-054-00174	AAA-054-00174	AAA-054-00174	AAA-054-00175
Front Frame Assembly	AAA-054-00177			

Hitch Kit Parts List*

ITEM	PART NUMBER	TITLE	QTY
1	AAB-015-10134	BOLT HEX 3/4 X 2-1/2 UNC GRD 8	4
2	AAB-015-20016	NUT HEX LOCK NYLON 3/4 UNC GRD 8	4
3	AAB-002-00232-P3	CAST HTCH ADJUSTMENT PLT 2.5DIA X 3.5OD X 3L	1
4	AAB-002-00237-P3	CAST HTCH CLEVIS 7/8T	1

*To order as a kit, use part #AAA-002-00992



DRWN : Jan .v. Ee

DATE : 1/21/2015

MAT :

TOLERANCES (UNLESS SPECIFIED OTHERWISE)
 FRACTIONAL ± 1/16"
 DEC X.X ± 0.1"
 DEC X.XX ± 0.06"
 DEC X.XXX ± 0.031"
 ANGULAR ± 0.5°

JAY-LOR
 Fabricating Inc

VIEW REP : SHEET 1 OF 1 R# DATE DESCRIPTION DR CK

TITLE : HITCH ADJ ASSY CAST (5000 SERIES SINGLES, 5600/5650/5750)

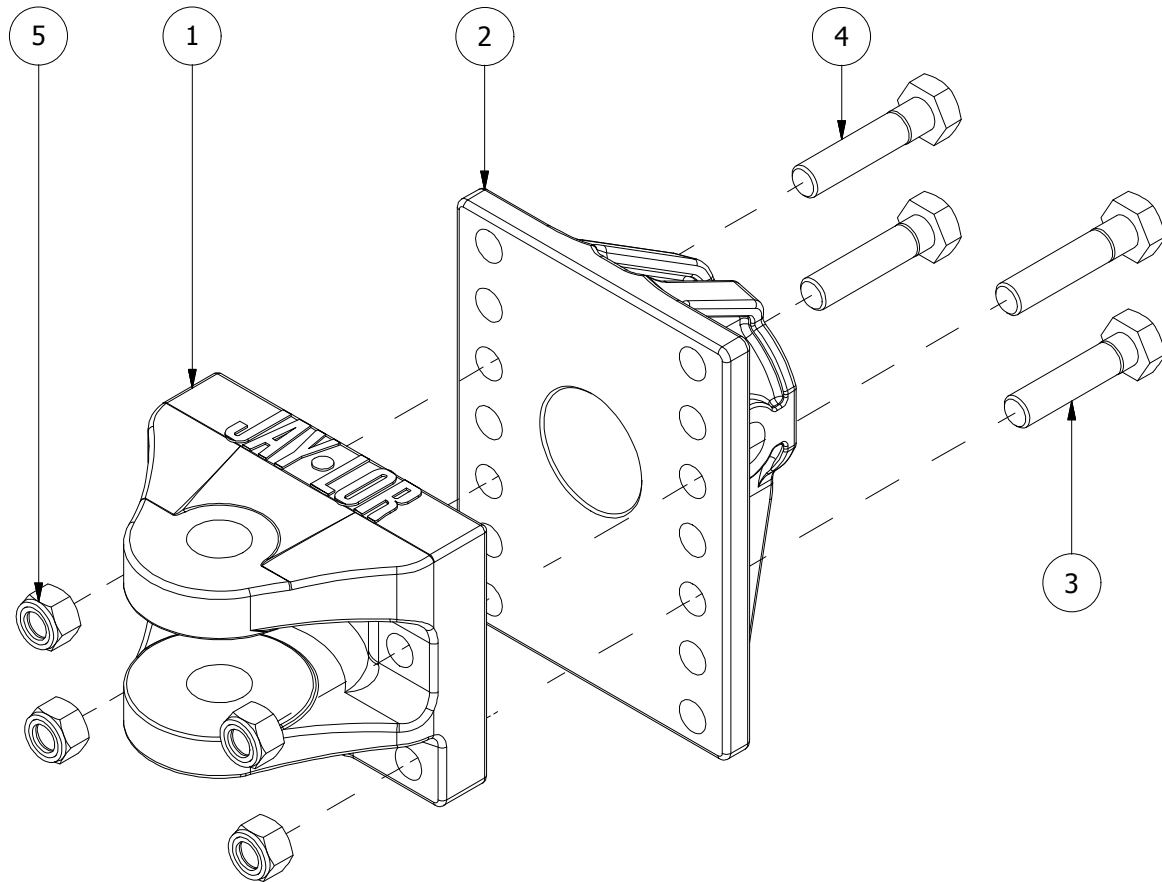
FILE NO : AAA-054-00174.idw

CONFIDENTIAL: THESE DRAWINGS AND COPIES THEREOF REMAIN THE PROPERTY OF JAY-LOR FABRICATING INC. ANY PERSON FOUND UNLAWFULLY USING, DISTRIBUTING, OR IN POSSESSION OF THE ABOVE WILL BE PROSECUTED

Hitch Kit Parts List*

ITEM	PART NUMBER	TITLE	QTY
1	AAB-002-00233-P3	CAST HTCH CLEVIS 1-5/8T	1
2	AAB-002-00234-P3	CAST HTCH FRT WB TUBE 2.895DIA X 40D X 3.25L (5850)	1
3	AAB-015-10135	BOLT HEX 3/4 X 3-1/4 UNC GRD 8	2
4	AAB-015-10145	BOLT HEX 3/4 X 3-1/2 UNC GRD 8	2
5	AAB-015-20016	NUT HEX LOCK NYLON 3/4 UNC GRD 8	4

* To order as a kit use part #AAA-002-00993



DRWN : Jan .v. Ee

DATE : 1/21/2015

MAT :

TOLERANCES (UNLESS SPECIFIED OTHERWISE)

FRACTIONAL ± 1/16"
 DEC X.X ± 0.1"
 DEC X.XX ± 0.06"
 DEC X.XXX ± 0.031"
 ANGULAR ± 0.5°



VIEW REP :

SHEET 1 OF 1

R#

DATE

DESCRIPTION

DR

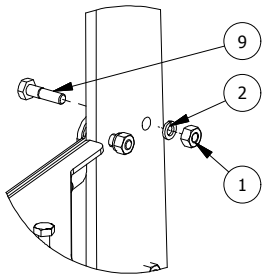
CK

TITLE : HITCH ADJ ASSY CAST FOR 5850 and 5000 SERIES HD

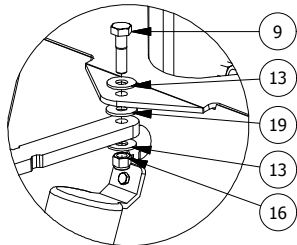
FILE NO : AAA-054-00175.idw

CONFIDENTIAL: THESE DRAWINGS AND COPIES THEREOF REMAIN THE PROPERTY OF JAY-LOR FABRICATING INC. ANY PERSON FOUND UNLAWFULLY USING, DISTRIBUTING, OR IN POSSESSION OF THE ABOVE WILL BE PROSECUTED

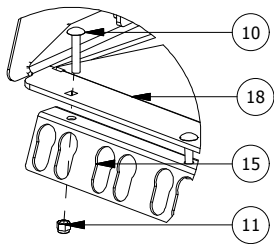
UPPER FRAME ATTACHMENT ARM		
MODEL	PART NUMBER	QTY
5350	AAA-002-00987	2
5400	AAA-002-00991	2
5425	AAA-002-00989	2
5575	AAA-002-00988	2
5600	AAA-002-00990	2
5650	AAA-002-00987	2
5750	AAA-002-00987	2
5850	AAA-002-00989	2



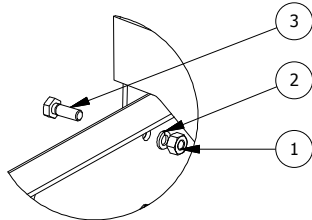
DETAIL D



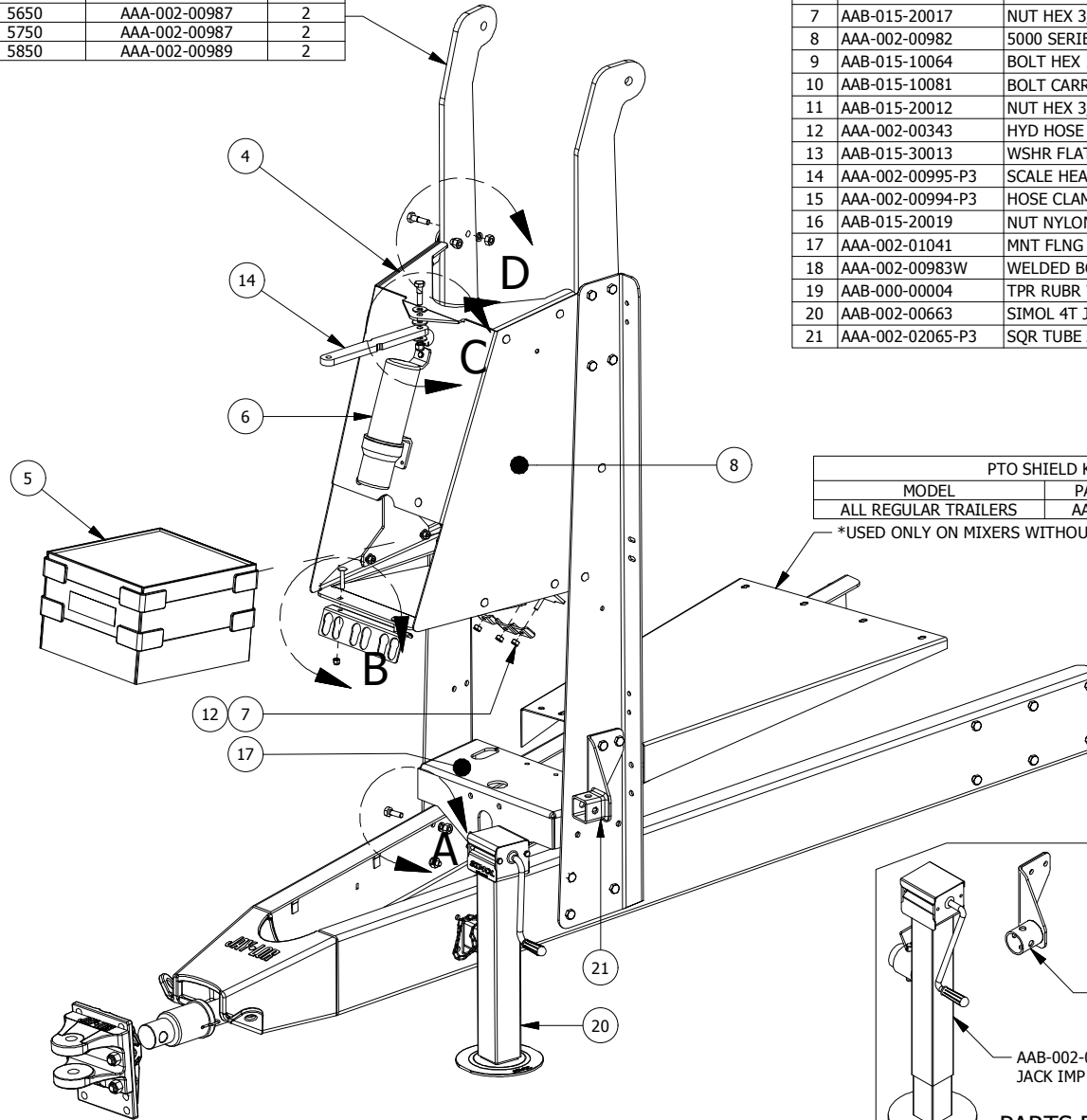
DETAIL C



DETAIL B



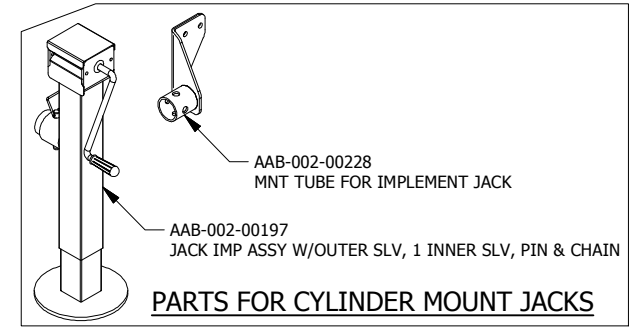
DETAIL A



Parts List			
ITEM	PART NUMBER	TITLE	QTY
1	AAB-015-20011	NUT HEX 1/2 UNC GRD 5	18
2	AAB-015-30018	WSHR LOCK 1/2	18
3	AAB-015-10063	BOLT HEX 1/2 X 1-1/2 UNC GRD 5	8
4	AAA-002-00975	5000 SERIES FRT HOOD CAP 1/4T	1
5	AAA-000-00171	JAYLOR PARTICLE SEPARATOR	1
6	AAB-002-00001	MANUAL HOLDER	1
7	AAB-015-20017	NUT HEX 3/8 UNC GRD 2	18
8	AAA-002-00982	5000 SERIES HOOD 1/8T	1
9	AAB-015-10064	BOLT HEX 1/2 X 2 UNC GRD 5	10
10	AAB-015-10081	BOLT CARRIAGE 3/8 X 2 UNC GRD 5	5
11	AAB-015-20012	NUT HEX 3/8 LOCK NYLON GRD 2	3
12	AAA-002-00343	HYD HOSE CLIP	4
13	AAB-015-30013	WSHR FLAT 1/2 USS	4
14	AAA-002-00995-P3	SCALE HEAD SWING ARM 5/8T (PAINTED)	1
15	AAA-002-00994-P3	HOSE CLAMP 1/8T	1
16	AAB-015-20019	NUT NYLON LOCK 1/2 UNC GRD 5	2
17	AAA-002-01041	MNT FLNG BRNG 5000 (PAINTED)	1
18	AAA-002-00983W	WELDED BOTTOM CAP HOOD 1/4T	1
19	AAB-000-00004	TPR RUBR WSHR 1-1/2OD X 1/2ID X 1/8T BLACK	2
20	AAB-002-00663	SIMOL 4T JACK IMP ASSY W/OUTER SLV, PIN & CHAIN	1
21	AAA-002-02065-P3	SQR TUBE JACK HOLDER (BLACK)	1

PTO SHIELD KIT*		
MODEL	PART NUMBER	QTY
ALL REGULAR TRAILERS	AAA-002-01094	1

*USED ONLY ON MIXERS WITHOUT FRONT CENTRE DOOR OPTION



DRWN : jvantol
DATE : 2/17/2017
MAT :

TOLERANCES (UNLESS SPECIFIED OTHERWISE)
FRACTIONAL ± 1/16"
DEC X.X ± 0.1"
DEC X.XX ± 0.06"
DEC X.XXX ± 0.031"
ANGULAR ± 0.5°

JAY-LOR
Fabricating Inc

VIEW REP :	SHEET 1 OF 1	R#	DATE	DESCRIPTION	DR	CK
------------	--------------	----	------	-------------	----	----

TITLE : FRONT FRAME ASSEMBLY 5000 SERIES SINGLE AND TWIN AUGER MODELS

FILE NO : AAA-054-00177.idw

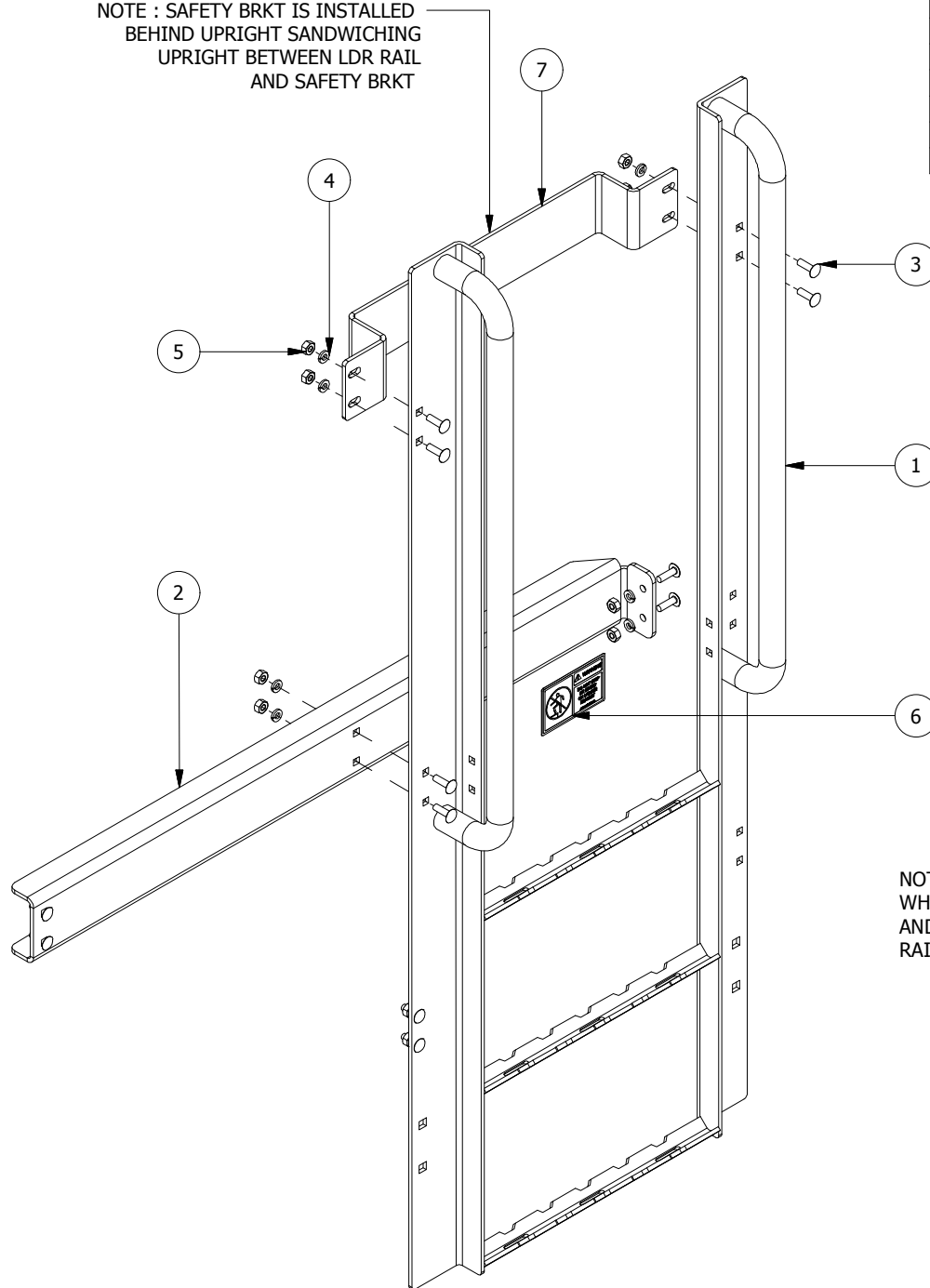
CONFIDENTIAL: THESE DRAWINGS AND COPIES THEREOF REMAIN THE PROPERTY OF JAY-LOR FABRICATING INC. ANY PERSON FOUND UNLAWFULLY USING, DISTRIBUTING, OR IN POSSESSION OF THE ABOVE WILL BE PROSECUTED

H. 003 – LADDER / PLATFORM PARTS

Drawing Number Reference Chart:

Part	Model			
	5600	5650	5750	5850
Low Profile (LP) Ladder	AAA-054-00176	NA	NA	NA
Standard Ladder Assembly	AAA-054-00178			

NOTE : SAFETY BRKT IS INSTALLED
BEHIND UPRIGHT SANDWICHING
UPRIGHT BETWEEN LDR RAIL
AND SAFETY BRKT

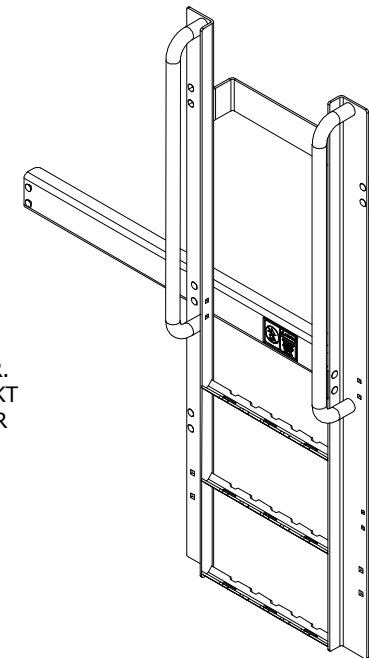


LP Ladder Kit Parts List*

ITEM	PART NUMBER	TITLE	QTY
1	AAA-003-00253	LP LDR 5000	1
2	AAA-003-00241	CTR UPRTH LDR SUPT BRKT 1/4T	2
3	AAB-015-10060	BOLT CARRIAGE 3/8 X 1-1/4 UNC GRD 2	12
4	AAB-015-30017	WSHR LOCK 3/8	12
5	AAB-015-20017	NUT HEX 3/8 UNC GRD 2	12
6	AAB-012-00148	DECAL DO NOT STEP	1
7	AAA-003-00258	LP LDR SAFETY BRKT	1

* To order as a kit use part #AAA-003-00256

NOTE : VIEWS SHOW RTH MOUNTED LADDER.
WHEN MOUNTING TO LTH SIDE FLIP CTR BRKT
AND INSTALL HARWARE ON RTH SIDE OF LDR
RAIL INSTEAD OF LTH.



Fully Assembled View

DRWN : DENwright

DATE : 1/23/2015

MAT :

TOLERANCES (UNLESS SPECIFIED OTHERWISE)
FRACTIONAL ± 1/16"
DEC X.X ± 0.1"
DEC X.XX ± 0.06"
DEC X.XXX ± 0.031"
ANGULAR ± 0.5°

JAY•LOR
Fabricating Inc

VIEW REP :

SHEET 1 OF 1

R#

DATE

DESCRIPTION

DR

CK

TITLE : LP LDR ASSY

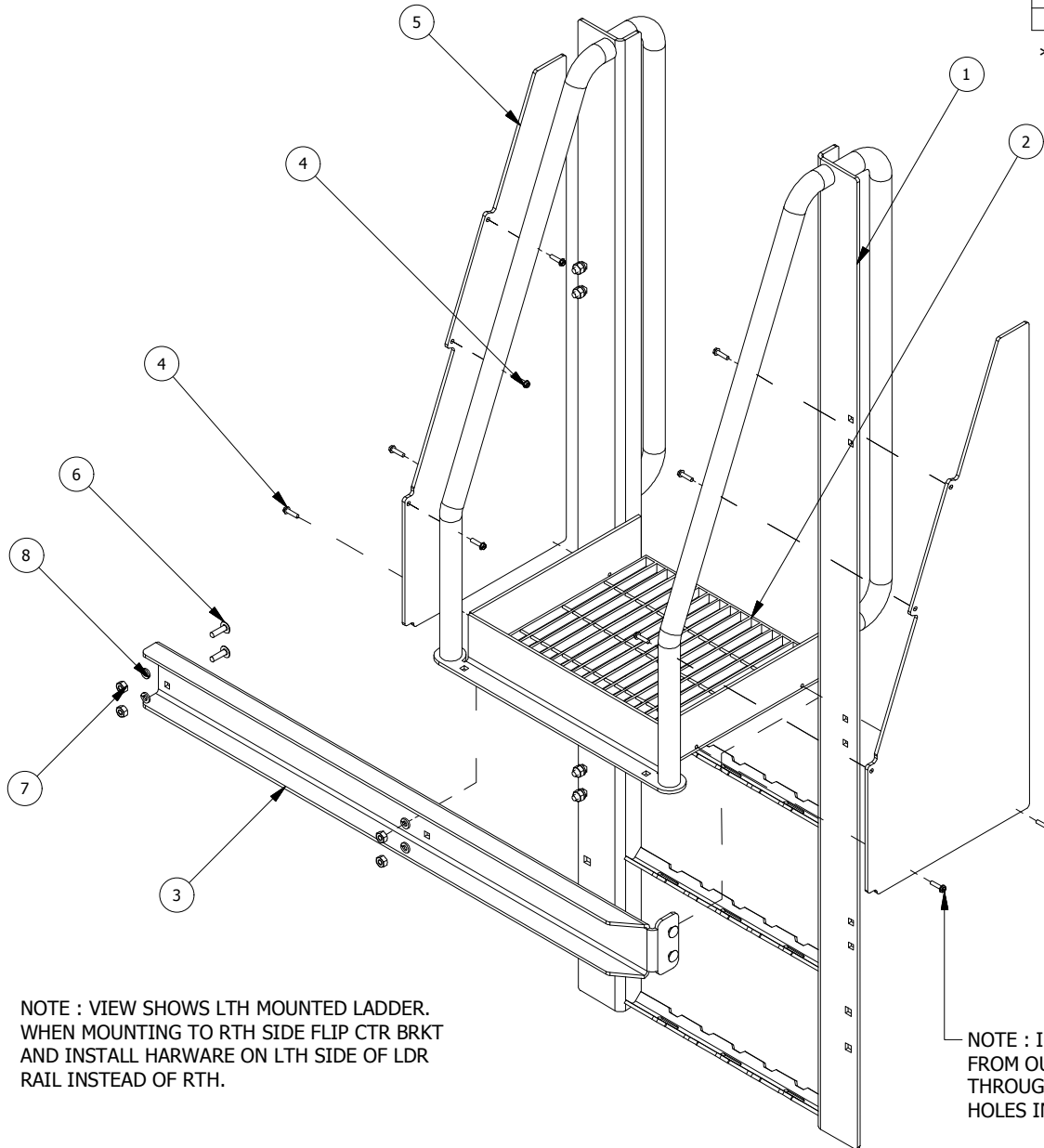
FILE NO : AAA-054-00176.idw

CONFIDENTIAL: THESE DRAWINGS AND COPIES THEREOF REMAIN THE PROPERTY OF JAY-LOR FABRICATING INC. ANY PERSON FOUND UNLAWFULLY USING, DISTRIBUTING, OR IN POSSESSION OF THE ABOVE WILL BE PROSECUTED

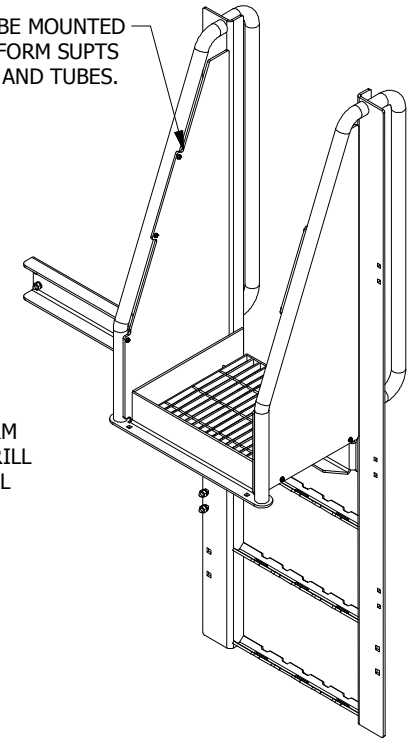
Ladder Kit Parts List*

ITEM	PART NUMBER	TITLE	QTY
1	AAA-003-00228	LDR WELDMNT 5000	1
2	AAB-003-00006	LDR PLATFORM	1
3	AAA-003-00241	CTR UPRTH LDR SUPT BRKT 1/4T	2
4	AAB-015-10158	BOLT HEX THREAD CUTTING & SELF-TAPPING 1/4-20 X 1L GRD 5	10
5	AAB-003-00004	LDR SIDE SHIELD (HDPE BLACK)	2
6	AAB-015-10060	BOLT CARRIAGE 3/8 X 1-1/4 UNC GRD 2	10
7	AAB-015-20017	NUT HEX 3/8 UNC GRD 2	10
8	AAB-015-30017	WSHR LOCK 3/8	10

* To order as a kit use part #AAA-003-00229



NOTE : SHIELDS BE MOUNTED BETWEEN PLATFORM SUPTS LTH / RTH AND TUBES.



FULLY ASSEMBLED VIEW

NOTE : WHEN INSTALLING PLATFORM PLACE IN PLATFORM FRAME AND DRILL INTO PLATFORM USING A 3/16 DRILL BIT. USE PILOT HOLES IN RTH & LTH PLATFORM SUPTS AS GUIDES

NOTE : INSTALL 2 LOWER SELF TAPPING SCREWS FROM OUTSIDE OF SHIELD , THROUGH SHIELD, THROUGH PLATFORM FRAME AND INTO DRILLED HOLES IN PLATFORM

NOTE : VIEW SHOWS LTH MOUNTED LADDER. WHEN MOUNTING TO RTH SIDE FLIP CTR BRKT AND INSTALL HARWARE ON LTH SIDE OF LDR RAIL INSTEAD OF RTH.

DRWN : DENwright

DATE : 1/23/2015

MAT :

TOLERANCES (UNLESS SPECIFIED OTHERWISE)
 FRACTIONAL ± 1/16"
 DEC X.X ± 0.1"
 DEC X.XX ± 0.06"
 DEC X.XXX ± 0.031"
 ANGULAR ± 0.5°

JAY-LOR
 Fabricating Inc

VIEW REP :

SHEET 1 OF 1

R#

DATE

DESCRIPTION

DR

CK

TITLE : LDR ASSY

FILE NO : AAA-054-00178.idw

CONFIDENTIAL: THESE DRAWINGS AND COPIES THEREOF REMAIN THE PROPERTY OF JAY-LOR FABRICATING INC. ANY PERSON FOUND UNLAWFULLY USING, DISTRIBUTING, OR IN POSSESSION OF THE ABOVE WILL BE PROSECUTED

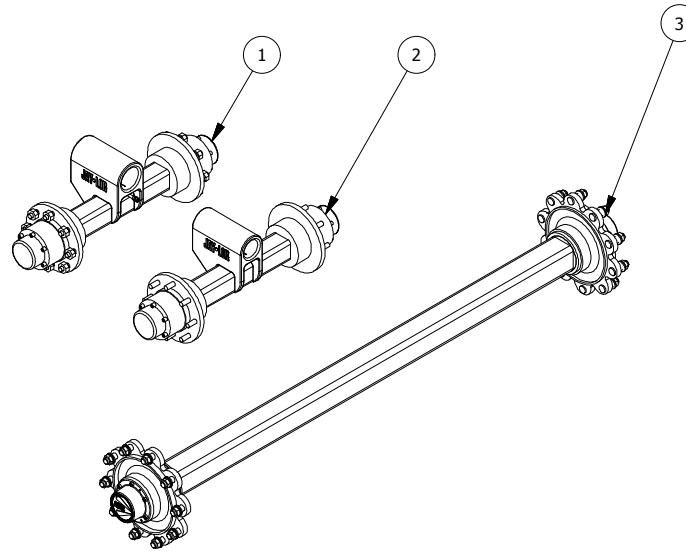
I. 004 – WHEEL / HUB / AXLE PARTS

Drawing Number Reference Chart:

Part	Model			
	5600	5650	5750	5850
Axle Chart	AAA-054-0026			
Standard Axle Mount	AAA-054-00134			
Optional Axle Mount	AAA-054-00342	AAA-054-00342	AAA-054-00342	NA
Wheels	AAA-054-00140			
8-Bolt Axle	AAA-054-00179			
10-Bolt Axle	AAA-054-00198			

5000 SERIES AXLE PART NUMBER CHART

MODEL	STANDARD AXLE	STD. AXLE PART #	OPTIONAL AXLE	OPT. AXLE PART #
5600	AXLE OSCILLATING 23 F-F WELDMENT W/ 2.645ID CAST WB TUBE	AAA-004-00184W	AXLE 100MM X 100MM WITH 2030 MM F-F (TRACK)	AAB-004-00017
5650	AXLE OSCILLATING 23 F-F WELDMENT W/ 2.645ID CAST WB TUBE	AAA-004-00184W	AXLE 100MM X 100MM WITH 2030 MM F-F (TRACK)	AAB-004-00017
5750	AXLE OSCILLATING 23 F-F WELDMENT W/ 2.645ID CAST WB TUBE	AAA-004-00184W	AXLE 100MM X 100MM WITH 2030 MM F-F (TRACK)	AAB-004-00017
5850	AXLE OSCILLATING 23 F-F WELDMENT W/ 3.27ID CAST WB TUBE	AAA-004-00177W	NA	NA



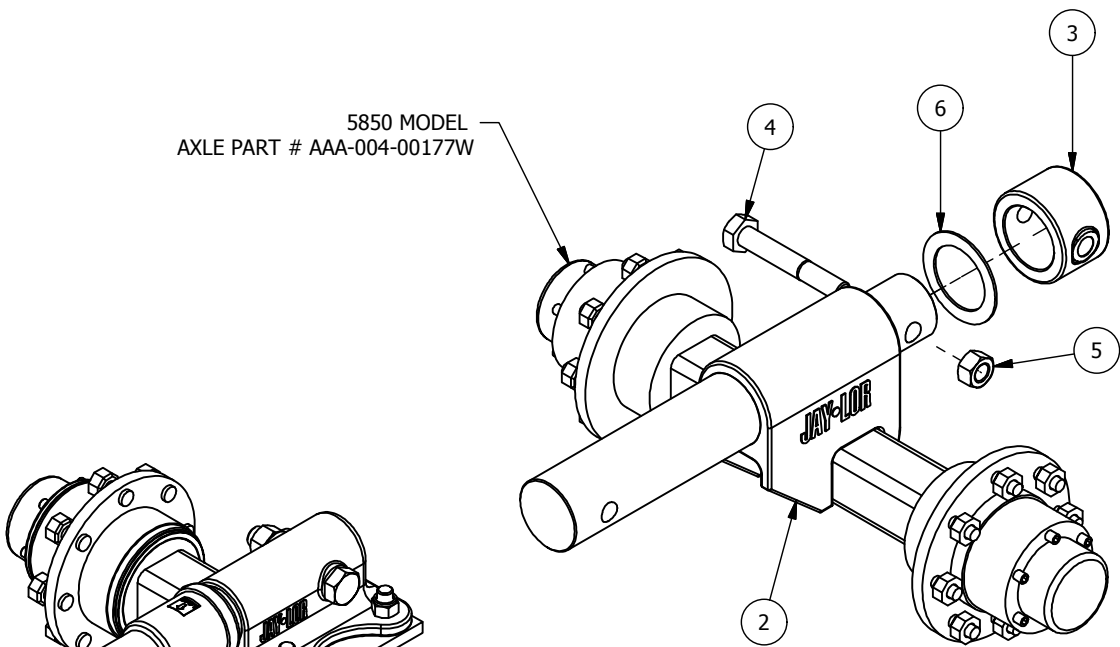
Parts List		
ITEM	PART NUMBER	TITLE
1	AAA-004-00177W	AXLE OSCILLATING 23 F-F WELDMENT W/ 3.27ID WB TUBE
2	AAA-004-00184W	AXLE OSCILLATING 23 F-F WELDMENT W/ 2.645ID CAST WB TUBE
3	AAB-004-00017	AXLE 100MM X 100MM WITH 2030MM [80"] F-F (TRACK)

DRWN : CDiRamio	TOLERANCES (UNLESS SPECIFIED OTHERWISE) FRACTIONAL ± 1/16" DEC X.X ± 0.1" DEC X.XX ± 0.06" DEC X.XXX ± 0.031" ANGULAR ± 0.5°	JAY•LOR Fabricating Inc
DATE : 1/29/2015		
MAT :		CONFIDENTIAL: THESE DRAWINGS AND COPIES THEREOF REMAIN THE PROPERTY OF JAY-LOR FABRICATING INC. ANY PERSON FOUND UNLAWFULLY USING, DISTRIBUTING, OR IN POSSESSION OF THE ABOVE WILL BE PROSECUTED

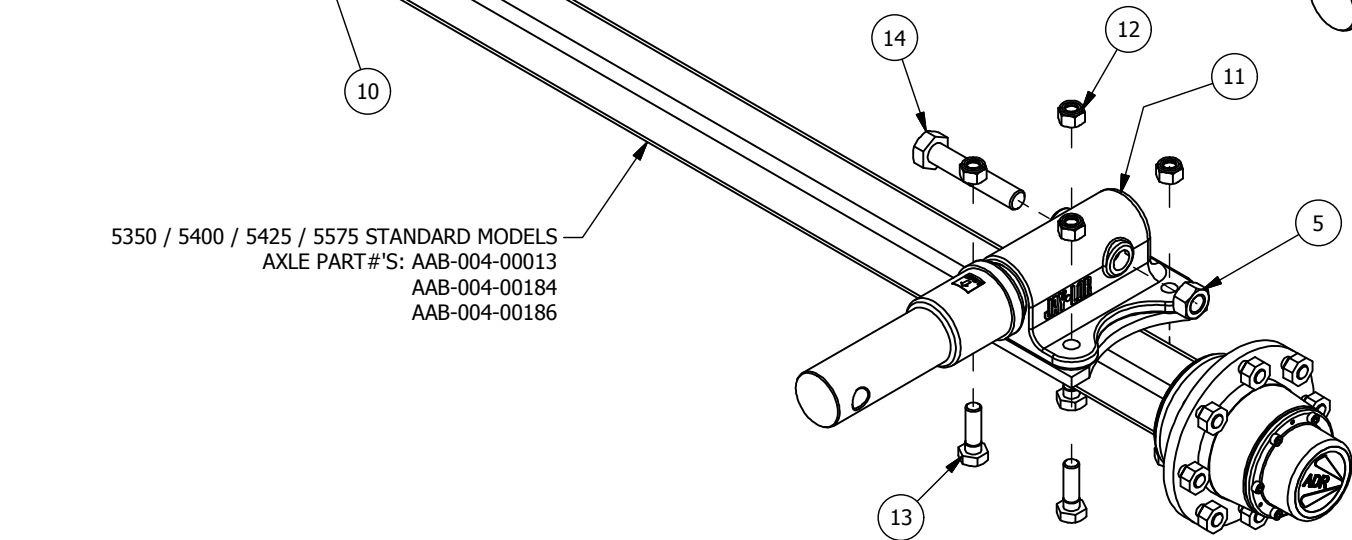
Parts List

ITE	PART NUMBER	TITLE
1	AAA-004-00184	AXLE OSCILLATING 23 F-F WELDMENT W/ 2.645ID CAST WB TUBE
2	AAA-004-00177	AXLE OSCILLATING 23 F-F WELDMENT W/ 3.27ID WB TUBE
3	AAB-004-00177	CAST WB TUBE 3.27ID X 4.75OD X 3.03L
4	AAB-015-10083	BOLT HEX 1 X 6-1/2 UNC GRD 8
5	AAB-015-20021	NUT HEX 1 UNC GRD 8
6	AAA-000-00112	OSCILLATING AXLE PLASTIC SPCKER 3.375ID X 1/8T
7	AAB-004-00176	CAST WB TUBE 2.645ID X 4OD X 2.86L
8	AAB-015-10091	BOLT HEX 1 X 5 UNC GRD 8
9	AAA-000-00113	OSCILLATING AXLE NYLON SPACER 2.625ID X 1/8T
10	AAA-004-00019	AXLE MNT PLT 9 X 9 X 5/8T
11	AAB-004-00170	CAST AXLE WB SUPT 2.895ID X 9L (SINGLES)
12	AAB-015-20016	NUT HEX LOCK NYLON 3/4 UNC GRD 8
13	AAB-015-10134	BOLT HEX 3/4 X 2-1/2 UNC GRD 8
14	AAB-015-10136	BOLT HEX 1 X 5 1/2 UNC GRD 8

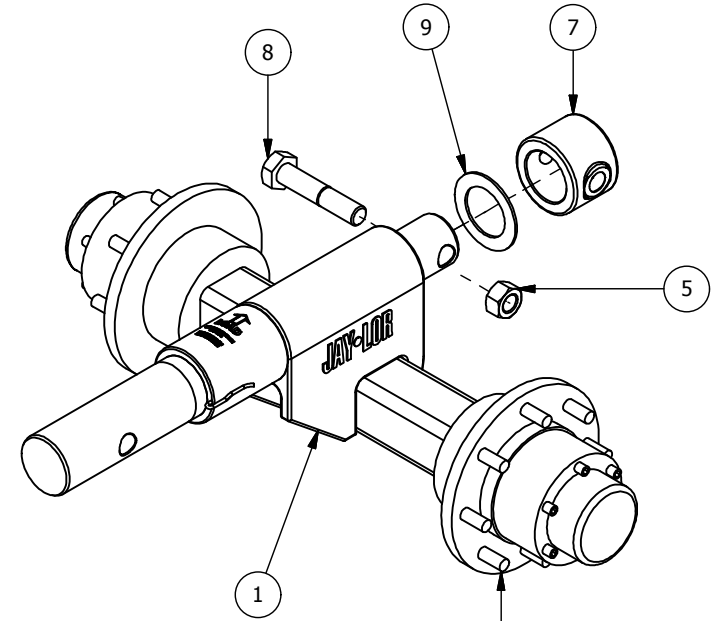
5850 MODEL
AXLE PART # AAA-004-00177W



5350 / 5400 / 5425 / 5575 STANDARD MODELS
AXLE PART #'S: AAB-004-00013
AAB-004-00184
AAB-004-00186



5600 / 5650 / 5750 STANDARD MODELS
AXLE PART #AAA-004-00184W



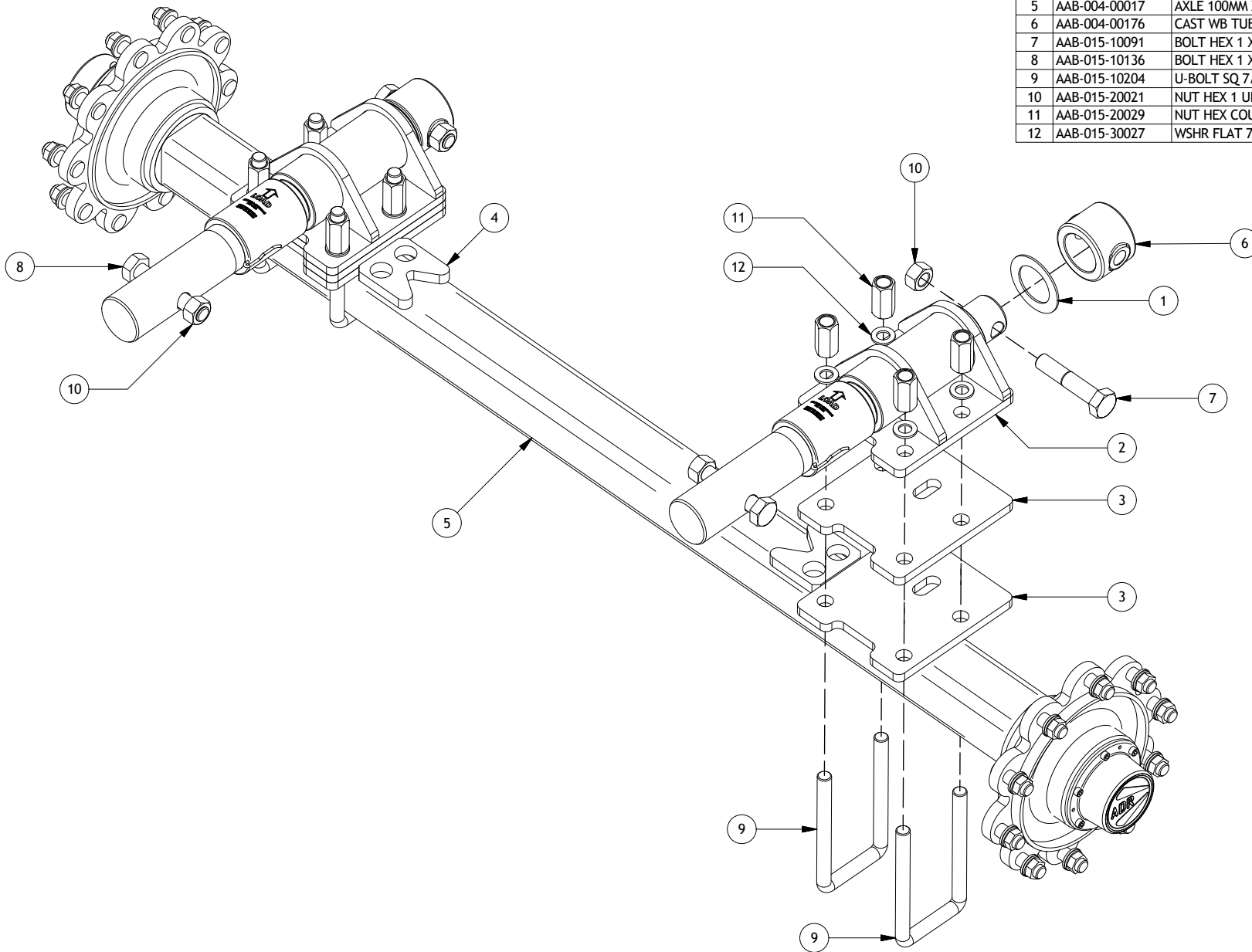
UNITS	PAPER A	SHEET 1 OF 1	R#	DATE	DESCRIPTION	DR	CK
-------	---------	--------------	----	------	-------------	----	----

TITLE AXLES & MNT HARDWARE REGULAR SINGLES AND TWINS

FILE NO AAA-054-00134.idw

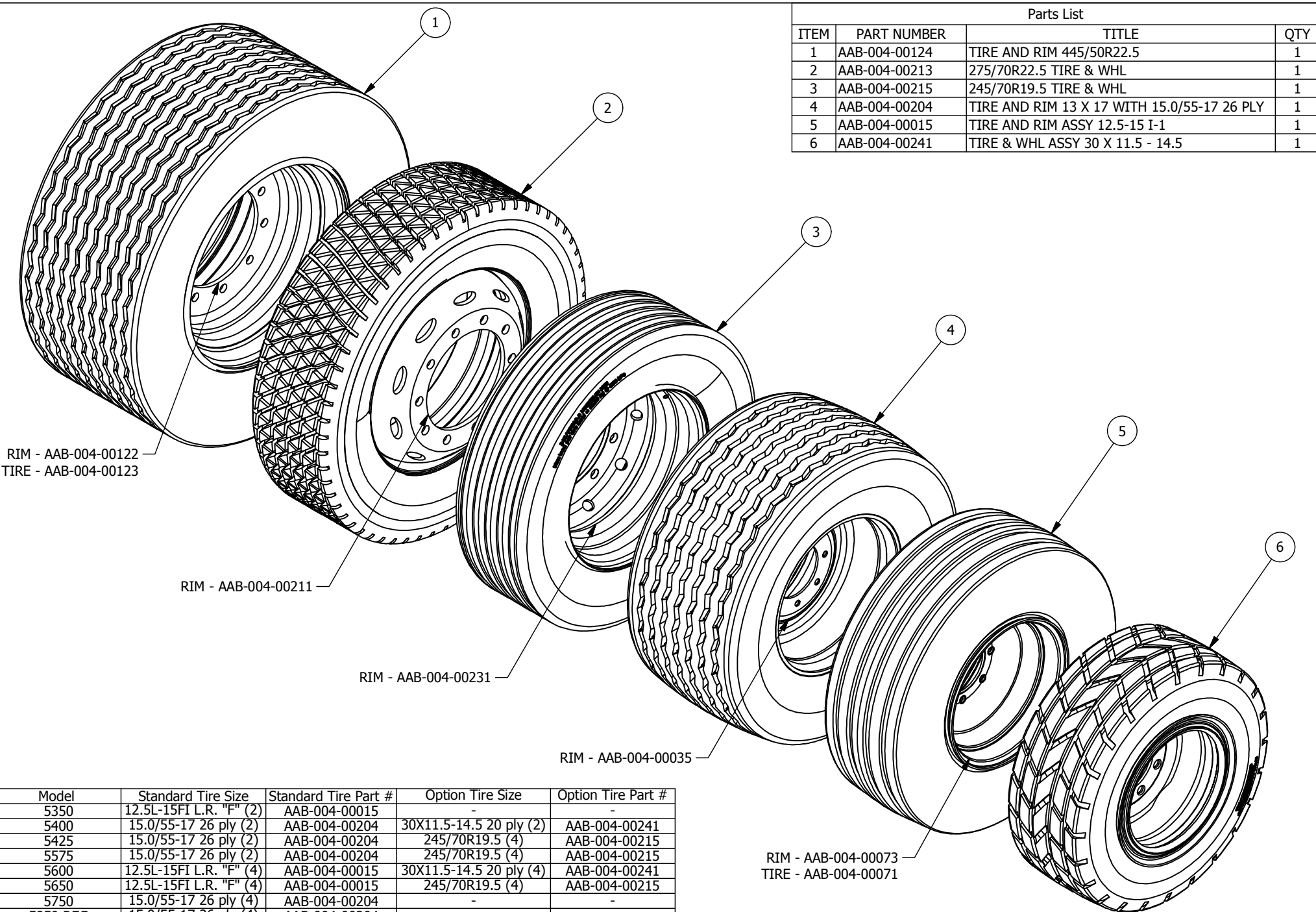
DR Jan .v. Ee	TOLERANCES (UNLESS SPECIFIED OTHERWISE) FRACTIONAL ± 1/16" DEC XXX ± 0.1" DEC X.XX ± 0.06" DEC X.XXX ± 0.031" ANGULAR ± 0.5°	JAY-LOR Fabricating Inc
DAT 1/9/2013		
MAT		

CONFIDENTIAL: THESE DRAWINGS AND COPIES THEREOF REMAIN THE PROPERTY OF JAY-LOR FABRICATING INC. ANY PERSON FOUND UNLAWFULLY USING, DISTRIBUTING, OR IN POSSESSION OF THE ABOVE WILL BE PROSECUTED



Parts List			
ITEM	PART NUMBER	TITLE	QTY
1	AAA-000-00113	OSCILLATING AXLE NYLON SPACER 2.625ID X 1/8T	2
2	AAA-002-00588	AXLE WB WELDMENT (HD W/ 7/8 U-BOLTS)	2
3	AAA-002-00589	AXLE PLT UBOLT 100MM AXLE 5/8T	4
4	AAA-002-01142	AXLE BRACE 3/4T	2
5	AAB-004-00017	AXLE 100MM X 100MM WITH 2030MM [80"] F-F (TRACK)	1
6	AAB-004-00176	CAST WB TUBE 2.645ID X 4OD X 2.86L	2
7	AAB-015-10091	BOLT HEX 1 X 5 UNC GRD 8	2
8	AAB-015-10136	BOLT HEX 1 X 5 1/2 UNC GRD 8	2
9	AAB-015-10204	U-BOLT SQ 7/8 X 4W X 9L UNF GRD 8	4
10	AAB-015-20021	NUT HEX 1 UNC GRD 8	4
11	AAB-015-20029	NUT HEX COUPLING 7/8 X 2-1/2LG -14 UNF	8
12	AAB-015-30027	WSHR FLAT 7/8 HARDENED	8

DRAWN : CDiRamio		TOLERANCES (UNLESS SPECIFIED OTHERWISE)
DATE : 8/2/2016		FRACTIONAL ± 1/16"
FILE : AAA-054-00342		DEC X.X ± 0.1"
TITLE : 5000 SERIES TWIN AUGER OPTIONAL AXLE MOUNT		DEC X.XX ± 0.06"
PRINT DATE: 8/2/2016	SHEET 1 OF 1	DEC X.XXX ± 0.031"
ANGULAR ± 0.5°		
CONFIDENTIAL: THESE DRAWINGS AND COPIES THEREOF REMAIN THE PROPERTY OF JAY-LOR FABRICATING INC. ANY PERSON FOUND UNLAWFULLY USING, DISTRIBUTING, OR IN POSSESSION OF THE ABOVE WILL BE PROSECUTED		



Parts List			
ITEM	PART NUMBER	TITLE	QTY
1	AAB-004-00124	TIRE AND RIM 445/50R22.5	1
2	AAB-004-00213	275/70R22.5 TIRE & WHL	1
3	AAB-004-00215	245/70R19.5 TIRE & WHL	1
4	AAB-004-00204	TIRE AND RIM 13 X 17 WITH 15.0/55-17 26 PLY	1
5	AAB-004-00015	TIRE AND RIM ASSY 12.5-15 I-1	1
6	AAB-004-00241	TIRE & WHL ASSY 30 X 11.5 - 14.5	1

RIM - AAB-004-00122
TIRE - AAB-004-00123

RIM - AAB-004-00211

RIM - AAB-004-00231

RIM - AAB-004-00035

RIM - AAB-004-00073
TIRE - AAB-004-00071

Model	Standard Tire Size	Standard Tire Part #	Option Tire Size	Option Tire Part #
5350	12.5L-15FI L.R. "F" (2)	AAB-004-00015	-	-
5400	15.0/55-17 26 ply (2)	AAB-004-00204	30X11.5-14.5 20 ply (2)	AAB-004-00241
5425	15.0/55-17 26 ply (2)	AAB-004-00204	245/70R19.5 (4)	AAB-004-00215
5575	15.0/55-17 26 ply (2)	AAB-004-00204	245/70R19.5 (4)	AAB-004-00215
5600	12.5L-15FI L.R. "F" (4)	AAB-004-00015	30X11.5-14.5 20 ply (4)	AAB-004-00241
5650	12.5L-15FI L.R. "F" (4)	AAB-004-00015	245/70R19.5 (4)	AAB-004-00215
5750	15.0/55-17 26 ply (4)	AAB-004-00204	-	-
5850 REG	15.0/55-17 26 ply (4)	AAB-004-00204	-	-
5850 HD	445/50R22.5 (4)	AAB-004-00124	-	-
51000 HD	275/70R22.5 (8)	AAB-004-00213	-	-
51250 HD	275/70R22.5 (8)	AAB-004-00213	-	-

VIEW REP :	SHEET 1 OF 1	R#	DATE	DESCRIPTION	DR	CK
------------	--------------	----	------	-------------	----	----

TITLE : 5000 SERIES WHL PART NUMBERS

FILE NO : AAA-054-00140.idw

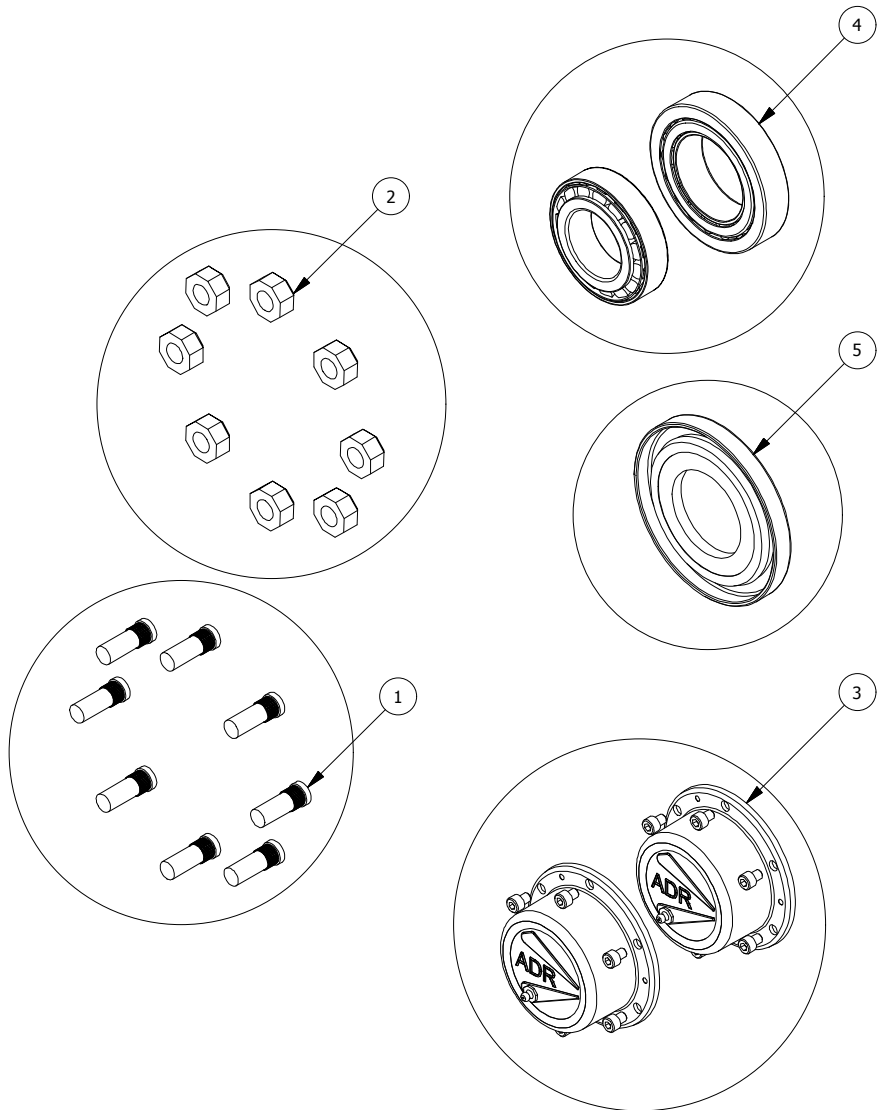
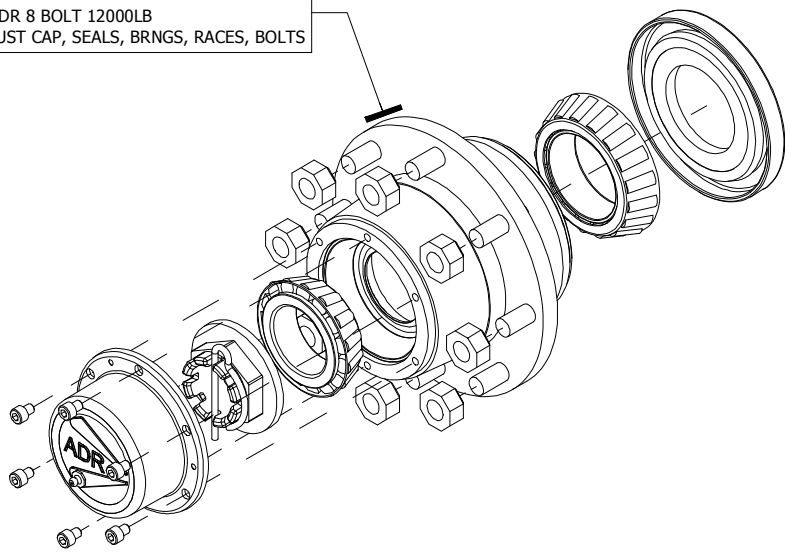
DRWN : Bcrawford	TOLERANCES (UNLESS SPECIFIED OTHERWISE)	JAY-LOR Fabricating Inc
DATE : 1/22/2015	FRACTIONAL ± 1/16"	
	DEC X.X ± 0.1"	
	DEC X.XX ± 0.06"	
	DEC X.XXX ± 0.031"	
MAT :	ANGULAR ± 0.5°	

CONFIDENTIAL: THESE DRAWINGS AND COPIES THEREOF REMAIN THE PROPERTY OF JAY-LOR FABRICATING INC. ANY PERSON FOUND UNLAWFULLY USING, DISTRIBUTING, OR IN POSSESSION OF THE ABOVE WILL BE PROSECUTED

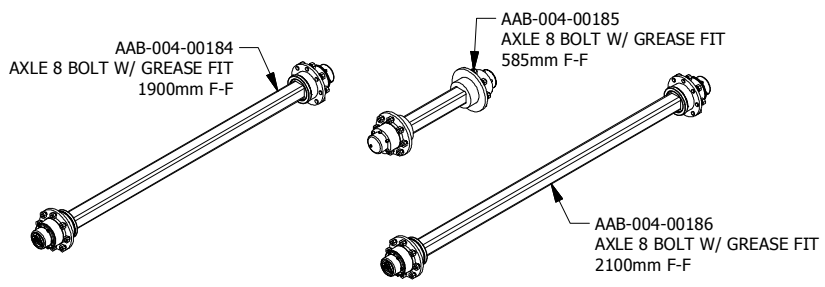
Parts List

ITEM	PART NUMBER	TITLE	QTY
1	AAB-004-00129	KIT ADR M16 X 50MM WHL STUDS FOR 8-BOLT AXLE (10X PIECES)	1
2	AAB-004-00128	KIT ADR M16 WHEEL NUTS FOR 8-BOLT AXLE (10 PIECES)	1
3	AAA-004-00155	ADR DUST CAP AND SEAL KIT WITH 2 DUST CAPS, GREASE FIT, 2 SEALS AND HDR	1
4	AAB-004-00022	ADR BEARING AND RACE KIT INCLUDES 1 INNER BEARING & RACE, 1 OUTER BEARING & RACE, 32215, 32212	1
5	AAB-004-00117	SEAL GREASE INDUSTRIAL NILOS FOR ADR 8 BOLT AXLE	1

AAA-004-00154
 KIT ADR 8 BOLT 12000LB
 WITH GREASE FIT ON DUST CAP, SEALS, BRNGS, RACES, BOLTS



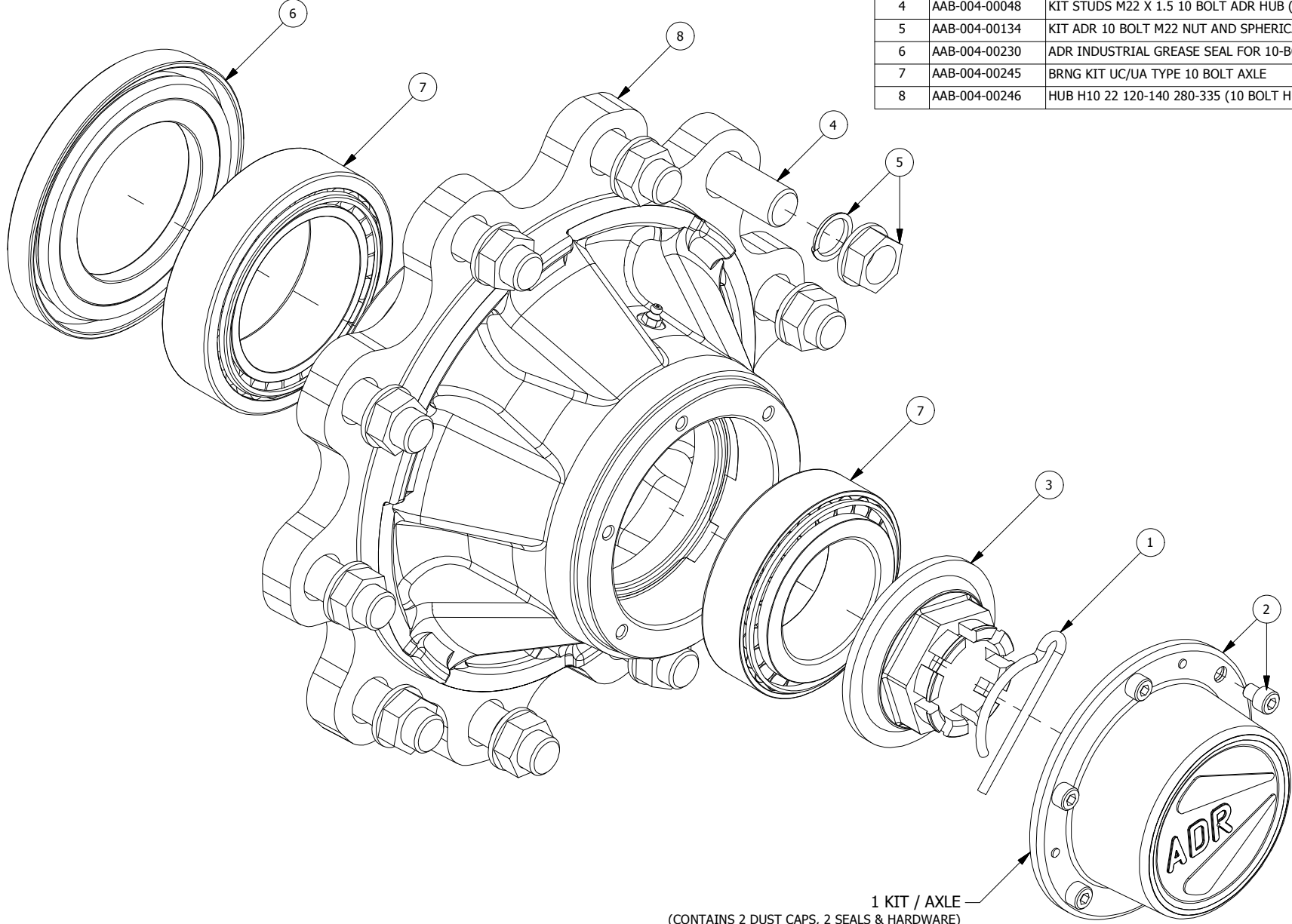
APPLICABLE AXLES:



DRWN : BVW
 DATE : 1/2/2015
 MAT :

TOLERANCES (UNLESS SPECIFIED OTHERWISE)
 FRACTIONAL ± 1/16"
 DEC X.X ± 0.1"
 DEC X.XX ± 0.06"
 DEC X.XXX ± 0.031"
 ANGULAR ± 0.5°





Parts List			
ITEM	PART NUMBER	TITLE	QTY
1	AAB-004-00030	PIN SPRING FOR ADR AXLE NUT	1
2	AAB-004-00038-P3	PAINTED KIT ADR 10 BOLT HUB DUST CAPS W/SEAL AND BOLTS (BLACK)	1
3	AAB-004-00039	NUT SLOTTED AXLE FOR ADR 10 BOLT	1
4	AAB-004-00048	KIT STUDS M22 X 1.5 10 BOLT ADR HUB (10 PER SET)	1
5	AAB-004-00134	KIT ADR 10 BOLT M22 NUT AND SPHERICAL LOCK WASHER (10 PAIRS)	1
6	AAB-004-00230	ADR INDUSTRIAL GREASE SEAL FOR 10-BOLT HUB (5471402)	1
7	AAB-004-00245	BRNG KIT UC/UA TYPE 10 BOLT AXLE	1
8	AAB-004-00246	HUB H10 22 120-140 280-335 (10 BOLT HUB W/GREASE FIT)	1

DRWN : Jan .v. Ee	TOLERANCES (UNLESS SPECIFIED OTHERWISE) FRACTIONAL ± 1/16" DEC X.X ± 0.1" DEC X.XX ± 0.06" DEC X.XXX ± 0.031" ANGULAR ± 0.5°	JAY•LOR Fabricating Inc
DATE : 10/15/2015		
MAT :	CONFIDENTIAL: THESE DRAWINGS AND COPIES THEREOF REMAIN THE PROPERTY OF JAY-LOR FABRICATING INC. ANY PERSON FOUND UNLAWFULLY USING, DISTRIBUTING, OR IN POSSESSION OF THE ABOVE WILL BE PROSECUTED	

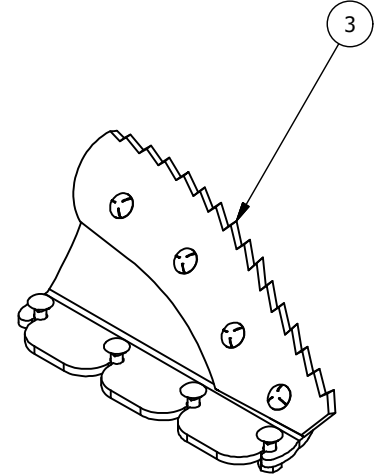
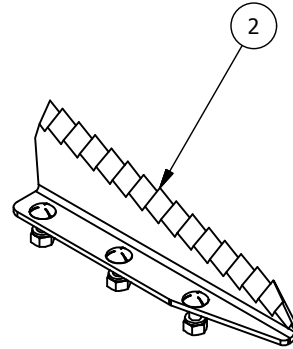
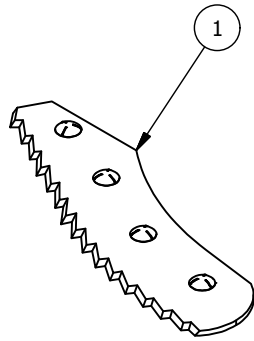
VIEW REP :	SHEET 1 OF 1	R#	DATE	DESCRIPTION	DR	CK
TITLE : KIT ADR 10 BOLT HUB FOR UC (UA) AXLE				FILE NO : AAA-054-00198.idw		

J. 005 – AUGER PARTS

Drawing Number Reference Chart:

Part	Model			
	5600	5650	5750	5850
Knife Options	AAA-054-00055			
Auger Options	AAA-054-00142			

Parts List			
ITEM	PART NUMBER	TITLE	QTY
1	AAA-005-00226	KIT AUGER KNIFE WITH HARDWARE	10
2	AAA-005-00225	KIT VERTICAL KNIFE WITH HARDWARE	3
3	AAA-005-00224	KIT ALEXANDER KNIFE WITH HARDWARE	3

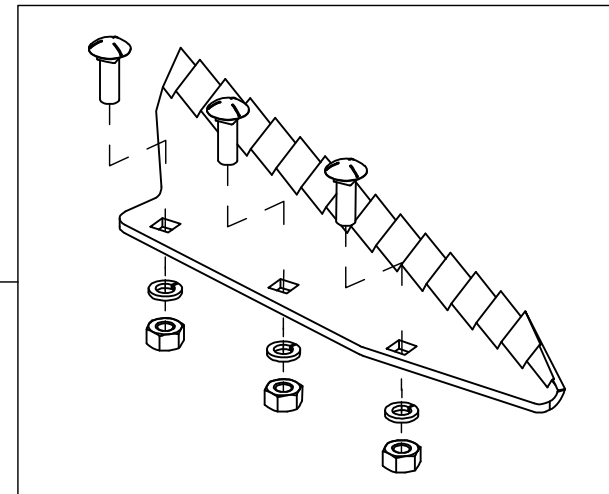
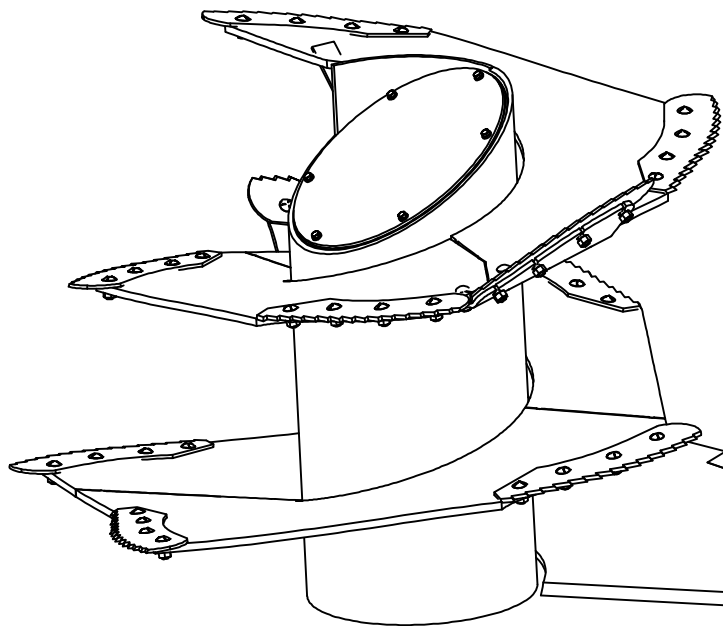


DR	LVandergaag	TOLERANCES (UNLESS SPECIFIED OTHERWISE) FRACTIONAL ± 1/16" DEC X.X ± 0.1" DEC X.XX ± 0.06" DEC X.XXX ± 0.031" ANGULAR ± 0.5°	JAY•LOR Fabricating Inc
DAT	2/7/2011		
MAT			

UNITS	PAPER A	SHEET 1 OF 4	R#	DATE	DESCRIPTION	DR	CK
-------	---------	--------------	----	------	-------------	----	----

TITLE 5000 SERIES KNIFE OPTIONS FILE NO AAA-054-00055.idw

CONFIDENTIAL: THESE DRAWINGS AND COPIES THEREOF REMAIN THE PROPERTY OF JAY-LOR FABRICATING INC. ANY PERSON FOUND UNLAWFULLY USING, DISTRIBUTING, OR IN POSSESSION OF THE ABOVE WILL BE PROSECUTED



AAA-005-00225
KIT VERTICAL KNIFE WITH HARDWARE

AAA-005-00225
KIT VERTICAL KNIFE WITH HARDWARE

UNITS	PAPER A	SHEET 2 OF 4	R#	DATE	DESCRIPTION
-------	---------	--------------	----	------	-------------

DR	LMV
DAT	2/7/2011
MAT	

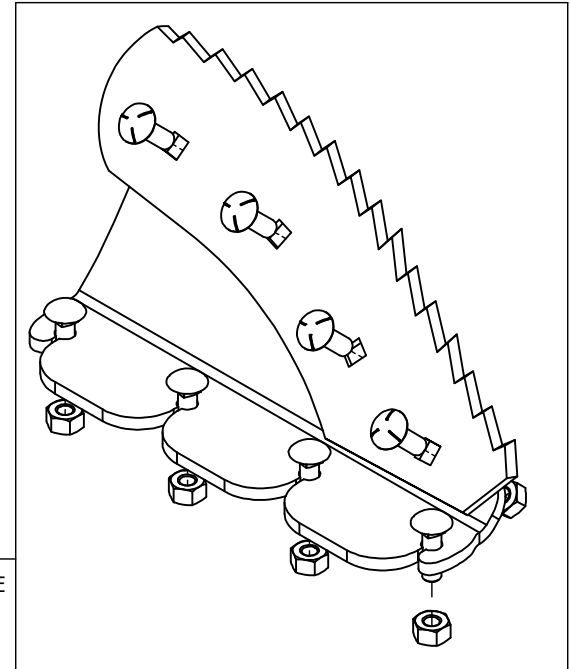
TOLERANCES (UNLESS SPECIFIED OTHERWISE)	
FRACTIONAL	± 1/16"
DEC X.X	± 0.1"
DEC X.XX	± 0.06"
DEC X.XXX	± 0.031"
ANGULAR	± 0.5°

JAY•LOR
Fabricating Inc

TITLE 5000 SERIES KNIFE OPTIONS

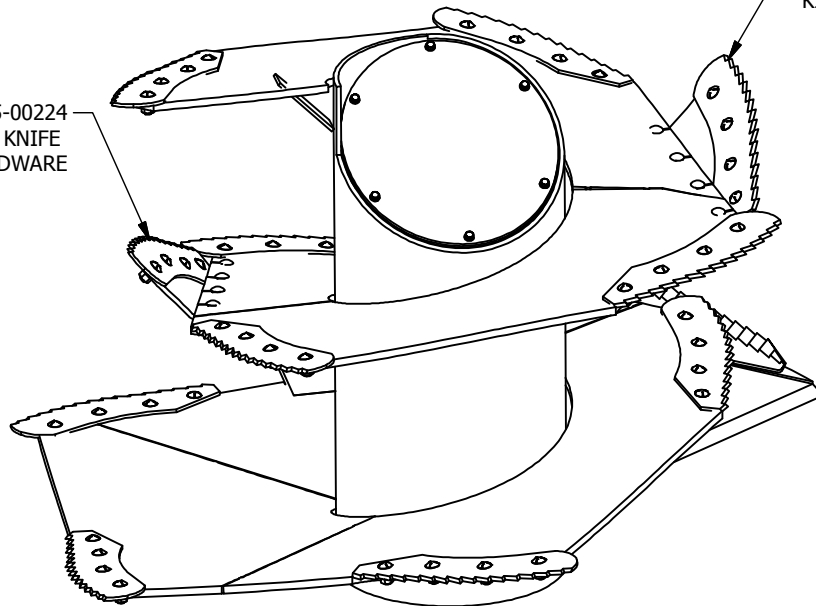
FILE NO AAA-054-00055.idw

CONFIDENTIAL: THESE DRAWINGS AND COPIES THEREOF REMAIN THE PROPERTY OF JAY-LOR FABRICATING INC. ANY PERSON FOUND UNLAWFULLY USING, DISTRIBUTING, OR IN POSSESSION OF THE ABOVE WILL BE PROSECUTED



AAA-005-00224
KIT ALEXANDER KNIFE WITH HARDWARE

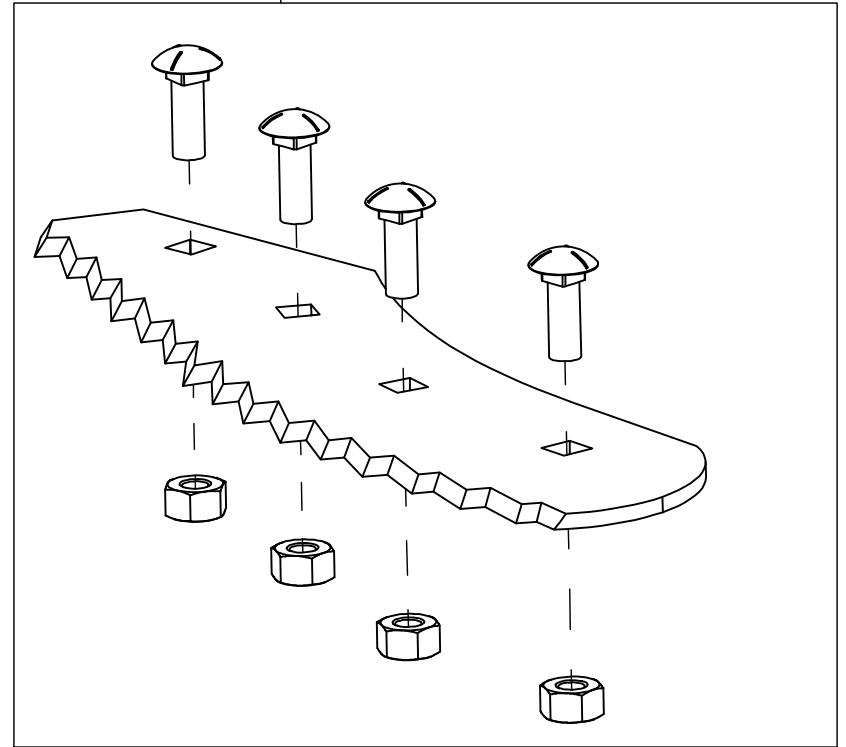
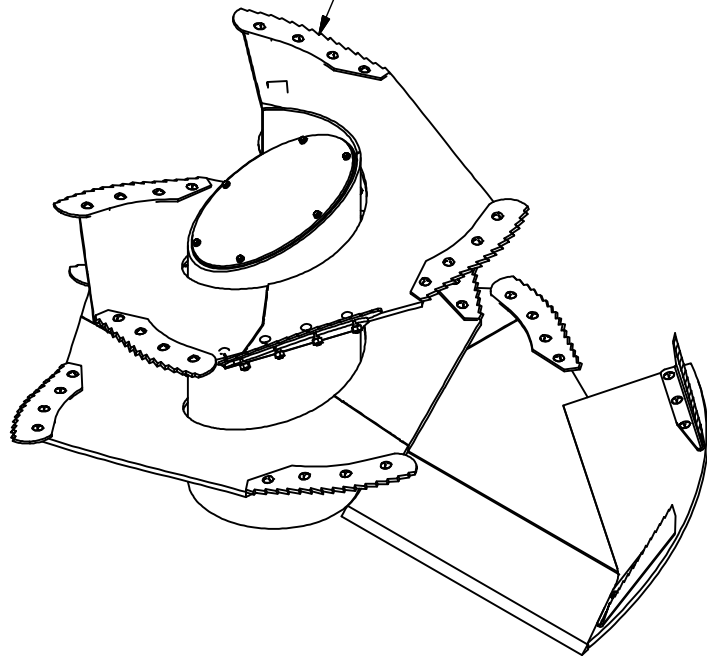
AAA-005-00224
KIT ALEXANDER KNIFE WITH HARDWARE



DR	BVV	TOLERANCES (UNLESS SPECIFIED OTHERWISE)	JAY•LOR® Fabricating Inc	
DAT	2/7/2011			FRACTIONAL ± 1/16"
MAT				DEC X.X ± 0.1"
		DEC X.XX ± 0.06"		
		DEC X.XXX ± 0.031"		
		ANGULAR ± 0.5°		

UNITS	PAPER A	SHEET 3 OF 4	R#	DATE	DESCRIPTION	DR	CK	FILE NO	AAA-054-00055.idw	CONFIDENTIAL: THESE DRAWINGS AND COPIES THEREOF REMAIN THE PROPERTY OF JAY-LOR FABRICATING INC. ANY PERSON FOUND UNLAWFULLY USING, DISTRIBUTING, OR IN POSSESSION OF THE ABOVE WILL BE PROSECUTED
TITLE 5000 SERIES KNIFE OPTIONS										

AAA-005-00226
KIT AUGER KNIFE WITH HARDWARE



UNITS	PAPER A	SHEET 4 OF 4	R#	DATE	DESCRIPTION	DR	CK
TITLE 5000 SERIES KNIFE OPTIONS					FILE NO AAA-054-00055.idw		

DR LVandergaag
DAT 2/7/2011
MAT

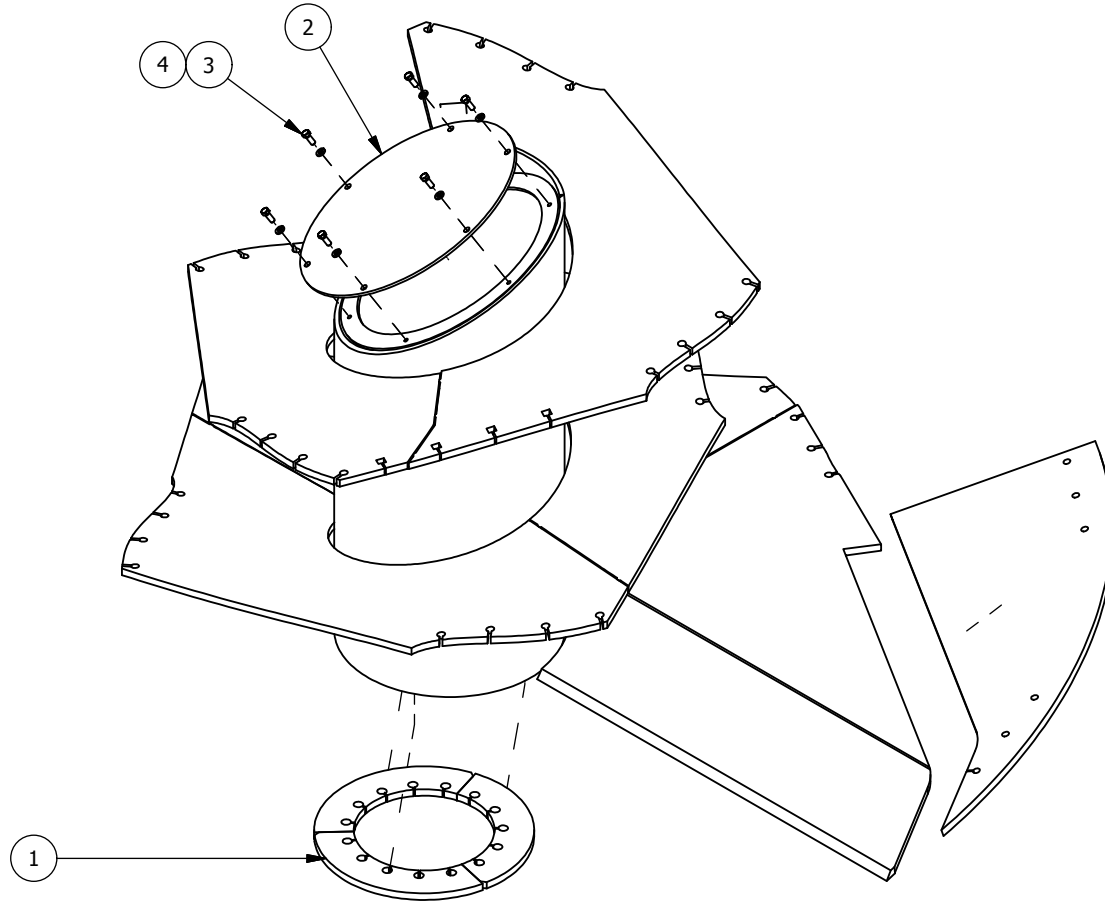
TOLERANCES (UNLESS SPECIFIED OTHERWISE)	
FRACTIONAL	± 1/16"
DEC X.X	± 0.1"
DEC X.XX	± 0.06"
DEC X.XXX	± 0.031"
ANGULAR	± 0.5°

JAY•LOR
Fabricating Inc

CONFIDENTIAL: THESE DRAWINGS AND COPIES THEREOF REMAIN THE PROPERTY OF JAY-LOR FABRICATING INC. ANY PERSON FOUND UNLAWFULLY USING, DISTRIBUTING, OR IN POSSESSION OF THE ABOVE WILL BE PROSECUTED

SLIDE PLATE AUGER

Parts List			
ITE	PART NUMBER	TITLE	QTY
1	AAA-005-00062	AUGER RING WELDMT (1602, 1603)	1
2	AAA-005-00066	4000 SERIES AUGER CAP	1
3	AAB-015-10056	BOLT HEX 3/8 X 1 UNC GRD 2	6
4	AAB-015-30017	WSHR LOCK 3/8	6



S - STANDARD (5/8")
 HD - HEAVY DUTY (3/4")
 LP - LOW PROFILE

MIXER	90"	96"	101.5"
5350	S		
5400			LP
5425		S	
5575			S
5600		S	
5650	S		
5750	S		
5850		S, HD	
51000			HD
51250			HD

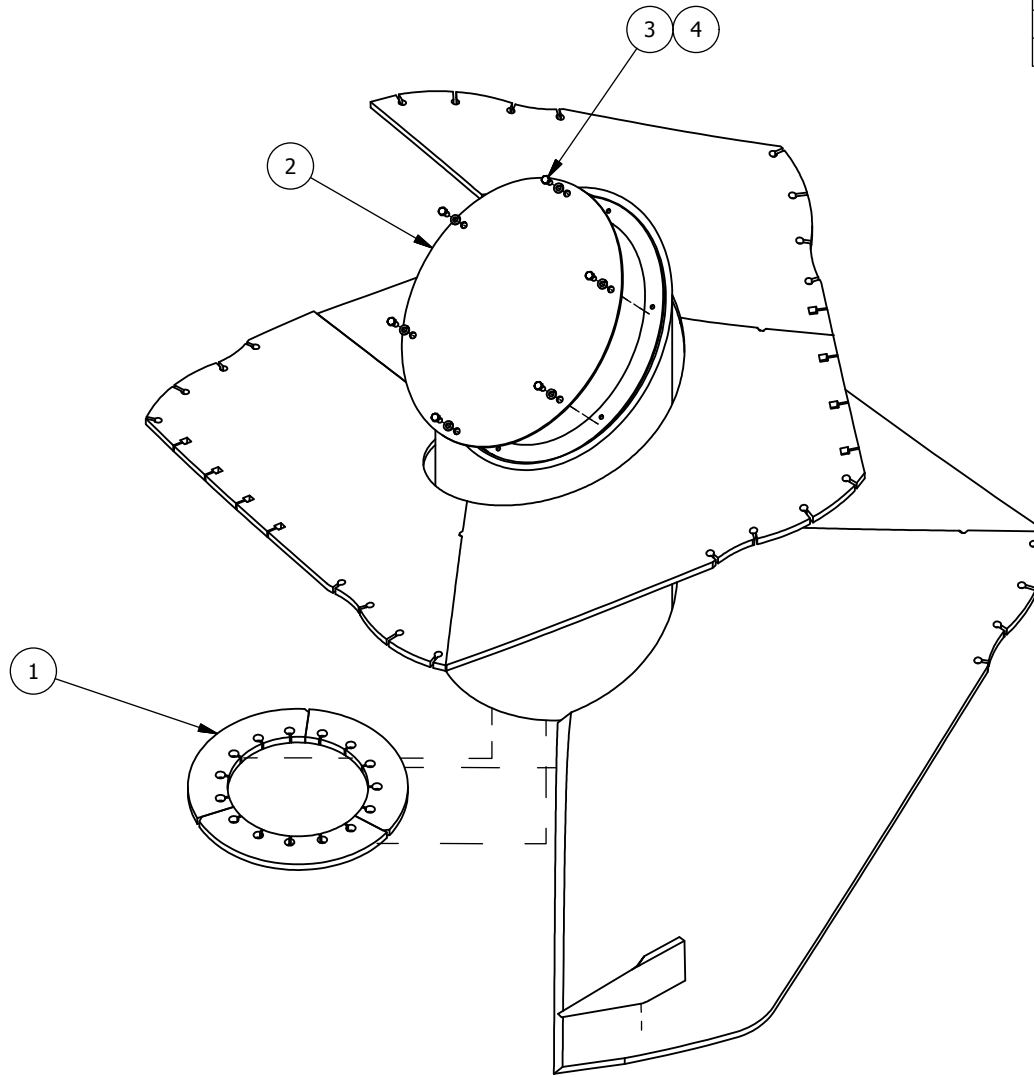
AUGER PART NUMBERS

SIZE	PART NUMBER
90"	AAA-005-00060
96"	AAA-005-00069
101.5"	AAA-005-00063
101.5" LP	AAA-005-00121
90" HD	AAA-005-00265
96" HD	AAA-005-00238
101.5" HD	AAA-005-00251
51250	AAA-005-00296
101.5" HD LP	AAA-005-00283

DR BVV	TOLERANCES (UNLESS SPECIFIED OTHERWISE) FRACTIONAL ± 1/16" DEC X.X ± 0.1" DEC X.XX ± 0.06" DEC X.XXX ± 0.031" ANGULAR ± 0.5°	JAY-LOR Fabricating Inc
DAT 9/9/2013		
MAT		

ANGLING BLADE AUGER

Parts List			
ITE	PART NUMBER	TITLE	QTY
1	AAA-005-00062	AUGER RING WELDMNT (1602, 1603)	1
2	AAA-005-00086	3000 SERIES AUGER CAP	1
3	AAB-015-10056	BOLT HEX 3/8 X 1 UNC GRD 2	6
4	AAB-015-30017	WSHR LOCK 3/8	6



S - STANDARD (5/8")
 HD - HEAVY DUTY (3/4")
 LP - LOW PROFILE

MIXER	90"	96"	101.5"
5350	S		
5400			LP
5425		S	
5575			S
5600		S	
5650	S		
5750	S		
5850		S, HD	
51000			HD
51250			N/A

AUGER PART NUMBERS

SIZE	PART NUMBER
90"	AAA-005-00093
96"	AAA-005-00094
101.5"	AAA-005-00099
101.5" LP	AAA-005-00004
90" HD	AAA-005-00270
96" HD	AAA-005-00246
101.5" HD	AAA-005-00249
51250	N/A
101.5" HD LP	N/A

DR D. RODGERS

DAT 9/9/2013

MAT

TOLERANCES (UNLESS SPECIFIED OTHERWISE)
 FRACTIONAL ± 1/16"
 DEC X.X ± 0.1"
 DEC X.XX ± 0.06"
 DEC X.XXX ± 0.031"
 ANGULAR ± 0.5°

JAY-LOR
 Fabricating Inc

UNITS PAPER A SHEET 2 OF 2 R# DATE DESCRIPTION DR CK

TITLE AUGERS PARTS BOOK 5000 SERIES

FILE NO AAA-054-00142.idw

CONFIDENTIAL: THESE DRAWINGS AND COPIES THEREOF REMAIN THE PROPERTY OF JAY-LOR FABRICATING INC. ANY PERSON FOUND UNLAWFULLY USING, DISTRIBUTING, OR IN POSSESSION OF THE ABOVE WILL BE PROSECUTED

K. 006 – CONVEYOR PARTS**Drawing Number Reference Chart:**

Part	Model			
	5600	5650	5750	5850
Door Discharge Chutes	AAA-054-00016			
Conveyor Wing Assemblies	AAA-054-00220			
Conveyor Base Assemblies	AAA-054-00222			
6' Flat Conveyor Assembly	AAA-054-00223			
Flat Conveyor Components	AAA-054-00224			
36" Conveyor Assembly	AAA-054-00225			
36" Conveyor Final Assy.	AAA-054-00226			
Wing Conveyor Final Assy.	AAA-054-00227			
Flat Conveyor Final Assy.	AAA-054-00228			
Conveyor Magnet Chute	AAA-054-00231			
Conveyor Driveshaft Assy	AAA-054-00232			
Conveyor Idler Shaft Assy	AAA-054-00233			
Dual Boot Kit	AAA-054-00234			

CORNER DOOR MAGNET & NON MAGNET CHUTE HARDWARE

MODEL	PART NUMBER	DESCRIPTION	QTY
ALL	AAB-015-20013	HEX NUT 5/8 20013	4
ALL	AAB-015-30019	LOCK WASHER 5/8	4
ALL	AAB-015-10068	HEX BOLT 5/8 X 2 UNC GRD 8	4
ALL	AAB-015-30016	LOCK WASHER 5/16	10
ALL	AAB-015-10036	HEX BOLT 5/16 X 1 UNC GRD 5	10
ALL	AAB-015-20020	HEX NUT 5/16 UNC GRD 2	10

C-SIDE DOOR MAGNET & NON MAGNET CHUTE HARDWARE

MODEL	PART NUMBER	DESCRIPTION	QTY
ALL	AAB-015-10059	HEX BOLT 3/8 X 1-1/2 UNC GRD 2	2
ALL	AAB-015-30012	FLAT WASHER 3/8 USS	4
ALL	AAB-015-20012	NYLON LOCK HEX NUT 3/8 GRD 2	2
ALL	AAB-015-30016	LOCK WASHER 5/16	10
ALL	AAB-015-20020	HEX NUT 5/16 UNC GRD 2	10
ALL	AAB-015-10036	HEX BOLT 5/16 X 1 UNC GRD 5	10

DISCHARGE MAGNET CHUTES - CORNER DOORS

MODEL	PART NUMBER	DESCRIPTION
ALL	AAA-006-00317	CORNER DOOR DISCHARGE CHUTE

DISCHARGE CHUTES - CORNER DOORS

MODEL	PART NUMBER	DESCRIPTION
ALL	AAA-006-00317	CORNER DOOR DISCHARGE CHUTE

NOTE : HD MIXERS 5750HD, 5850HD, 51000HD & 51250HD DO NOT HAVE THE DROP FLOOR CORNER DOOR OPTION HOWEVER DO HAVE THE FLAT CORNER DOOR OPTION THEREFORE CORNER DOOR CHUTES STILL APPLY

DISCHARGE MAGNET CHUTES - C-SIDE DOORS

MODEL	PART NUMBER	DESCRIPTION
ALL	AAA-006-01013	C-SIDE DOOR DISCHARGE CHUTE

DISCHARGE CHUTES - C-SIDE DOORS

MODEL	PART NUMBER	DESCRIPTION
ALL	AAA-006-01013	C-SIDE DOOR DISCHARGE CHUTE

NOTE : LOW PROFILE MIXERS 5400 AND 5600 DO NOT HAVE THE C-SIDE DOOR DISCHARGE OPTION THEREFORE DO NOT HAVE C-SIDE CHUTES

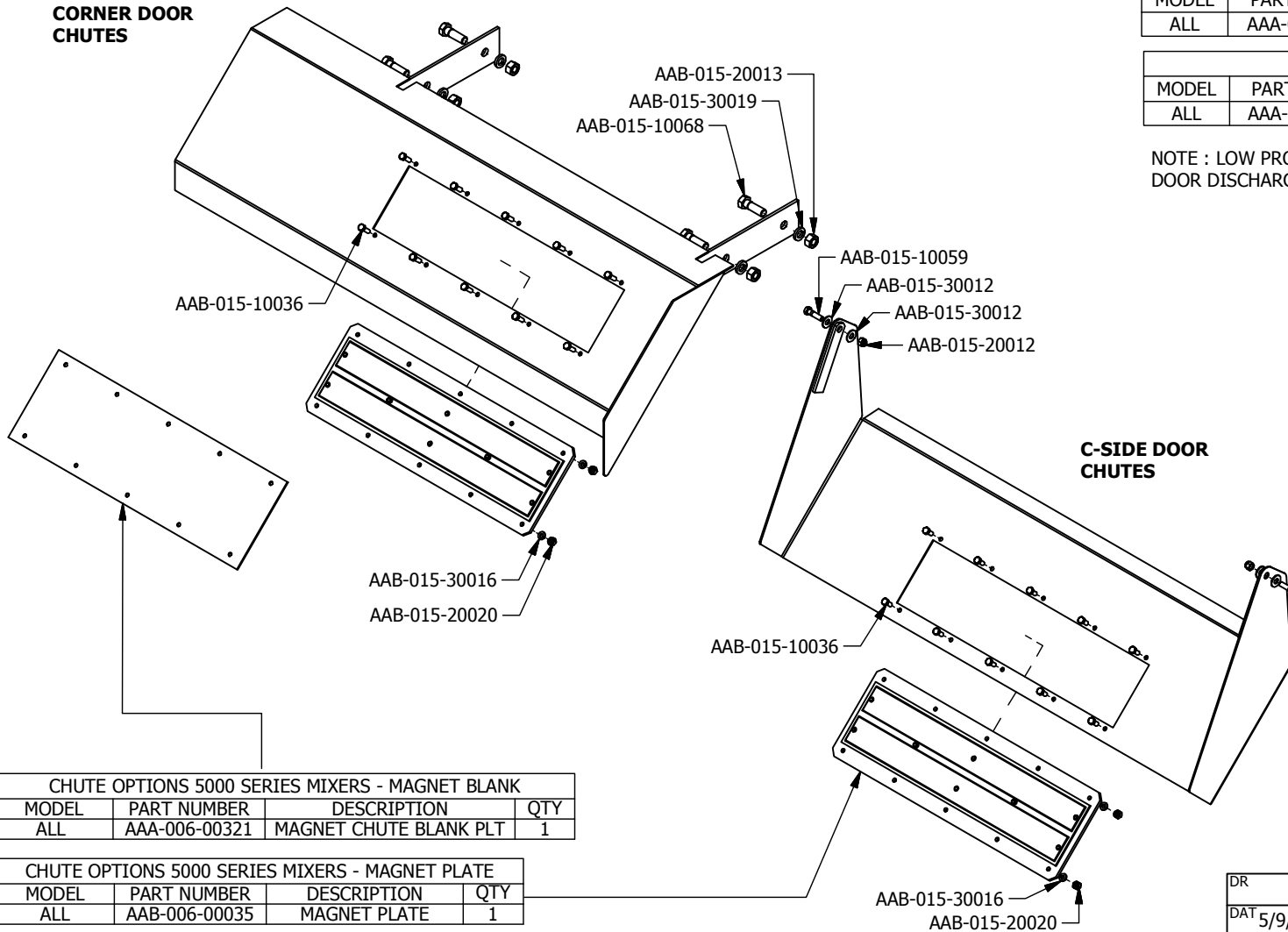
NOTE : C-SIDE **MAGNET** CHUTE KIT IS AVAILABLE AS PART # AAA-006-01014

NOTE : C-SIDE **NON-MAGNET** CHUTE KIT IS AVAILABLE AS PART # AAA-006-01062

NOTE : 50" LONG CORNER DOOR **MAGNET** CHUTE KIT IS AVAILABLE AS PART # AAA-006-01063

NOTE : 50" LONG CORNER DOOR **NON-MAGNET** CHUTE KIT IS AVAILABLE AS PART # AAA-006-00320

CORNER DOOR CHUTES



C-SIDE DOOR CHUTES

CHUTE OPTIONS 5000 SERIES MIXERS - MAGNET BLANK

MODEL	PART NUMBER	DESCRIPTION	QTY
ALL	AAA-006-00321	MAGNET CHUTE BLANK PLT	1

CHUTE OPTIONS 5000 SERIES MIXERS - MAGNET PLATE

MODEL	PART NUMBER	DESCRIPTION	QTY
ALL	AAB-006-00035	MAGNET PLATE	1

UNITS	PAPER A	SHEET 1 OF 1	R#	DATE	DESCRIPTION	DR	CK
TITLE CHUTE OPTIONS 5000 SERIES MIXERS					FILE NO	AAA-054-00016.idw	

DR	TOLERANCES (UNLESS SPECIFIED OTHERWISE)	JAY-LOR Fabricating Inc
DAT 5/9/2011	FRACTIONAL ± 1/16"	
MAT	DEC X.X ± 0.1"	
	DEC X.XXX ± 0.06"	
	ANGULAR ± 0.031"	
		± 0.5°

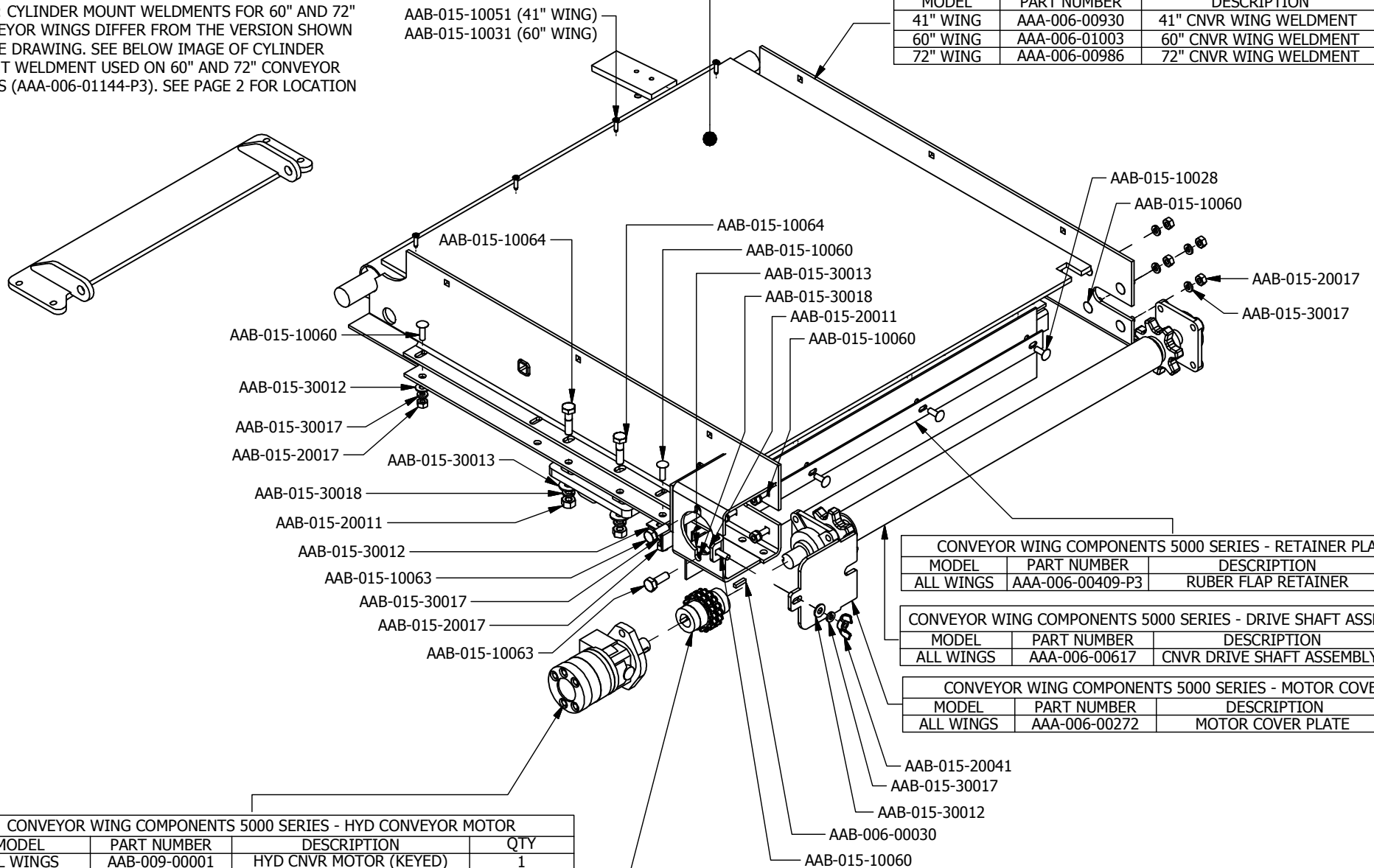
CONFIDENTIAL: THESE DRAWINGS AND COPIES THEREOF REMAIN THE PROPERTY OF JAY-LOR FABRICATING INC. ANY PERSON FOUND UNLAWFULLY USING, DISTRIBUTING, OR IN POSSESSION OF THE ABOVE WILL BE PROSECUTED

CONVEYOR WING COMPONENTS 5000 SERIES - WING FLOOR			
MODEL	PART NUMBER	DESCRIPTION	QTY
41" WING	AAA-006-00237	HDPE FLOOR FOR 41" WING	1
60" WING	AAA-006-00826	HDPE FLOOR FOR 60" WING	1
72" WING	AAA-006-00238	HDPE FLOOR FOR 72" WING	1

CONVEYOR WING COMPONENTS 5000 SERIES - CONVEYOR ASSEMBLY PART NUMBERS			
MODEL	PART NUMBER	DESCRIPTION	QTY
41" WING	AAA-006-01116	41IN CONVEYOR WING ASSEMBLY	1
60" WING	AAA-006-01129	60IN CONVEYOR WING ASSEMBLY	1
72" WING	AAA-006-01122	72IN CONVEYOR WING ASSEMBLY	1

CONVEYOR WING COMPONENTS 5000 SERIES - WING FRAME			
MODEL	PART NUMBER	DESCRIPTION	QTY
41" WING	AAA-006-00930	41" CNVR WING WELDMNT	1
60" WING	AAA-006-01003	60" CNVR WING WELDMNT	1
72" WING	AAA-006-00986	72" CNVR WING WELDMNT	1

NOTE: CYLINDER MOUNT WELDMENTS FOR 60" AND 72" CONVEYOR WINGS DIFFER FROM THE VERSION SHOWN IN THE DRAWING. SEE BELOW IMAGE OF CYLINDER MOUNT WELDMNT USED ON 60" AND 72" CONVEYOR WINGS (AAA-006-01144-P3). SEE PAGE 2 FOR LOCATION



CONVEYOR WING COMPONENTS 5000 SERIES - HYD CONVEYOR MOTOR			
MODEL	PART NUMBER	DESCRIPTION	QTY
ALL WINGS	AAB-009-00001	HYD CNVR MOTOR (KEYED)	1

CONVEYOR WING COMPONENTS 5000 SERIES - CHAIN COUPLER			
MODEL	PART NUMBER	DESCRIPTION	QTY
ALL WINGS	AAB-006-00026	CNVR CHAIN COUPLER ASSY	1

CONVEYOR WING COMPONENTS 5000 SERIES - RETAINER PLATE			
MODEL	PART NUMBER	DESCRIPTION	QTY
ALL WINGS	AAA-006-00409-P3	RUBER FLAP RETAINER	1

CONVEYOR WING COMPONENTS 5000 SERIES - DRIVE SHAFT ASSEMBLY			
MODEL	PART NUMBER	DESCRIPTION	QTY
ALL WINGS	AAA-006-00617	CNVR DRIVE SHAFT ASSEMBLY	1

CONVEYOR WING COMPONENTS 5000 SERIES - MOTOR COVER			
MODEL	PART NUMBER	DESCRIPTION	QTY
ALL WINGS	AAA-006-00272	MOTOR COVER PLATE	1

UNITS	PAPER A	SHEET 1 OF 2	R#	DATE	DESCRIPTION	DR	CK
-------	---------	--------------	----	------	-------------	----	----

TITLE CONVEYOR WING COMPONENTS 5000 SERIES MIXERS

FILE NO AAA-054-00220.idw

DR	BCN	TOLERANCES (UNLESS SPECIFIED OTHERWISE) FRACTIONAL ± 1/16" DEC XXX ± 0.1" DEC XXX ± 0.06" DEC XXX ± 0.031" ANGULAR ± 0.5°	JAY-LOR Fabricating Inc
DAT	1/13/2015		
MAT			

CONFIDENTIAL: THESE DRAWINGS AND COPIES THEREOF REMAIN THE PROPERTY OF JAY-LOR FABRICATING INC. ANY PERSON FOUND UNLAWFULLY USING, DISTRIBUTING, OR IN POSSESSION OF THE ABOVE WILL BE PROSECUTED

41" WING HARDWARE

MODEL	PART NUMBER	DESCRIPTION	QTY
41" WINGS	AAB-015-10028	CARRIAGE BOLT 3/8 X 1 UNC	4
41" WINGS	AAB-015-10060	CARRIAGE BOLT 3/8 X 1-1/4 UNC GRD 2	16
41" WINGS	AAB-015-30017	LOCK WASHER 3/8	20
41" WINGS	AAB-015-20017	HEX NUT 3/8 UNC GRD 2	19
41" WINGS	AAB-015-30012	FLAT WASHER 3/8 USS	12
41" WINGS	AAB-006-00030	SHEAR KEY 1/4 X 1	1
41" WINGS	AAB-015-10063	HEX BOLT 1/2 X 1-1/2 UNC GRD 5	2
41" WINGS	AAB-015-30013	FLAT WASHER 1/2 USS	6
41" WINGS	AAB-015-20011	HEX NUT 1/2 UNC GRD 5	6
41" WINGS	AAB-015-30018	LOCK WASHER 1/2	6
41" WINGS	AAB-015-10051	FLOORBOARD SCREW 1/2" X 1" TORX HEAD	8
41" WINGS	AAB-015-20041	WING NUT FORGED 3/8-16	1
41" WINGS	AAB-015-10064	HEX BOLT 1/2 X 2 UNC GRD 5	4

60" WING HARDWARE

MODEL	PART NUMBER	DESCRIPTION	QTY
60" WINGS	AAB-015-10028	CARRIAGE BOLT 3/8 X 1 UNC	5
60" WINGS	AAB-015-10060	CARRIAGE BOLT 3/8 X 1-1/4 UNC GRD 2	17
60" WINGS	AAB-015-30017	LOCK WASHER 3/8	22
60" WINGS	AAB-015-20017	HEX NUT 3/8 UNC GRD 2	22
60" WINGS	AAB-015-30012	FLAT WASHER 3/8 USS	14
60" WINGS	AAB-006-00030	SHEAR KEY 1/4 X 1	1
60" WINGS	AAB-015-10063	HEX BOLT 1/2 X 1-1/2 UNC GRD 5	2
60" WINGS	AAB-015-30013	FLAT WASHER 1/2 USS	6
60" WINGS	AAB-015-20011	HEX NUT 1/2 UNC GRD 5	6
60" WINGS	AAB-015-30018	LOCK WASHER 1/2	6
60" WINGS	AAB-015-10051	FLOORBOARD SCREW 1/2" X 1" TORX HEAD	4
60" WINGS	AAB-015-10031	BOLT TORX 5/16 X 1 1/2 UNC	4
60" WINGS	AAB-015-10064	HEX BOLT 1/2 X 2 UNC GRD 5	4
60" WINGS	AAB-015-20041	WING NUT FORGED 3/8-16	1

CONVEYOR WING COMPONENTS 5000 SERIES - CYLINDER MOUNT WELDMENT

MODEL	PART NUMBER	DESCRIPTION	QTY
41" WING	AAA-006-01147-P3	CYLINDER MOUNT FOR 41" WING (DUAL CYL)	1
60" WING	AAA-006-01144-P3	CYLINDER MOUNT FOR 60" WING (DUAL CYL)	1
72" WING	AAA-006-01144-P3	CYLINDER MOUNT FOR 72" WING (DUAL CYL)	1

CONVEYOR WING COMPONENTS 5000 SERIES - WING SUPPORT AND RUBBER SHIELD MOUNT

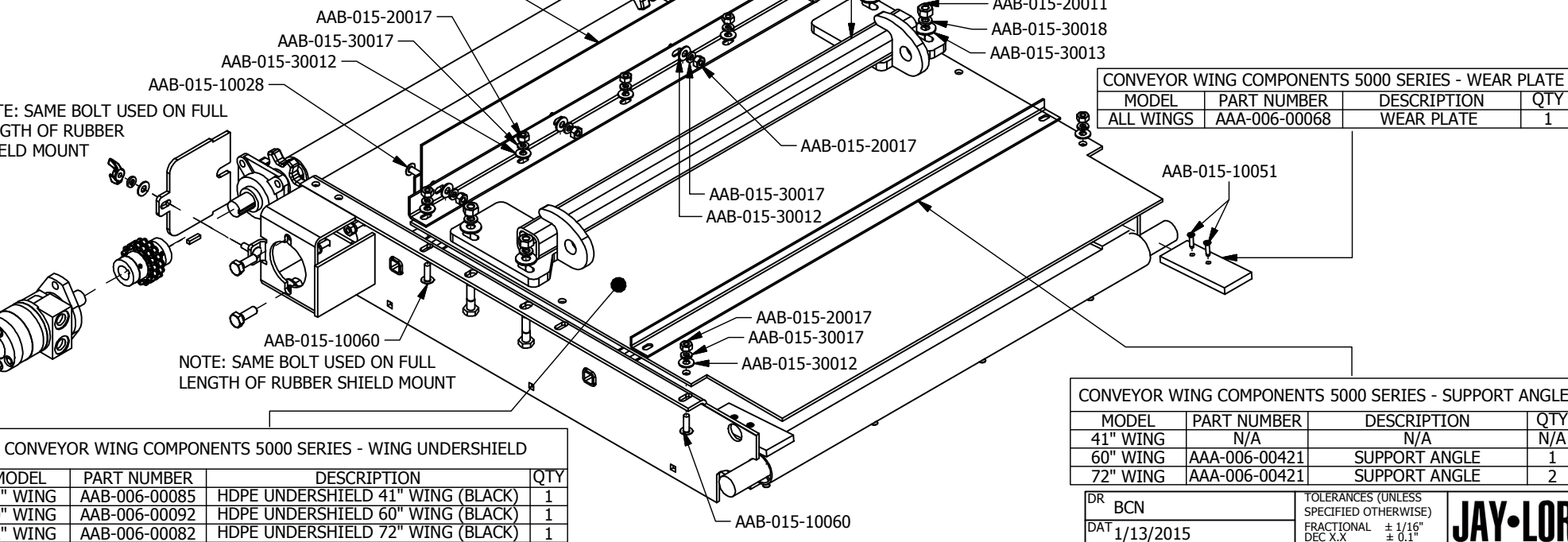
MODEL	PART NUMBER	DESCRIPTION	QTY
ALL WINGS	AAA-006-00407	WING SUPPORT AND RUBER SHIELD MOUNT	1

CONVEYOR WING COMPONENTS 5000 SERIES - RUBBER SHIELD

MODEL	PART NUMBER	DESCRIPTION	QTY
ALL WINGS	AAA-006-00410	RUBBER SHIELD FOR UNDERSIDE	1

72" WING HARDWARE

MODEL	PART NUMBER	DESCRIPTION	QTY
72" WINGS	AAB-015-10028	CARRIAGE BOLT 3/8 X 1 UNC	5
72" WINGS	AAB-015-10060	CARRIAGE BOLT 3/8 X 1-1/4 UNC GRD 2	19
72" WINGS	AAB-015-30017	LOCK WASHER 3/8	24
72" WINGS	AAB-015-20017	HEX NUT 3/8 UNC GRD 2	24
72" WINGS	AAB-015-30012	FLAT WASHER 3/8 USS	16
72" WINGS	AAB-006-00030	SHEAR KEY 1/4 X 1	1
72" WINGS	AAB-015-10063	HEX BOLT 1/2 X 1-1/2 UNC GRD 5	2
72" WINGS	AAB-015-30013	FLAT WASHER 1/2 USS	6
72" WINGS	AAB-015-20011	HEX NUT 1/2 UNC GRD 5	6
72" WINGS	AAB-015-30018	LOCK WASHER 1/2	6
72" WINGS	AAB-015-10051	FLOORBOARD SCREW 1/2" X 1" TORX HEAD	4
72" WINGS	AAB-015-20041	WING NUT FORGED 3/8-16	1
72" WINGS	AAB-015-10064	HEX BOLT 1/2 X 2 UNC GRD 5	4
72" WINGS	AAB-015-10031	BOLT TORX 5/16 X 1 1/2 UNC	4



NOTE: SAME BOLT USED ON FULL LENGTH OF RUBBER SHIELD MOUNT

NOTE: SAME BOLT USED ON FULL LENGTH OF RUBBER SHIELD MOUNT

CONVEYOR WING COMPONENTS 5000 SERIES - WEAR PLATE

MODEL	PART NUMBER	DESCRIPTION	QTY
ALL WINGS	AAA-006-00068	WEAR PLATE	1

CONVEYOR WING COMPONENTS 5000 SERIES - WING UNDERSHIELD

MODEL	PART NUMBER	DESCRIPTION	QTY
41" WING	AAB-006-00085	HDPE UNDERSHIELD 41" WING (BLACK)	1
60" WING	AAB-006-00092	HDPE UNDERSHIELD 60" WING (BLACK)	1
72" WING	AAB-006-00082	HDPE UNDERSHIELD 72" WING (BLACK)	1

CONVEYOR WING COMPONENTS 5000 SERIES - SUPPORT ANGLE

MODEL	PART NUMBER	DESCRIPTION	QTY
41" WING	N/A	N/A	N/A
60" WING	AAA-006-00421	SUPPORT ANGLE	1
72" WING	AAA-006-00421	SUPPORT ANGLE	2

CONVEYOR BASE ASSEMBLY HARDWARE

MODEL	PART NUMBER	DESCRIPTION	QTY
ALL	AAB-015-20011	HEX NUT 1/2 UNC GRD 5	8
ALL	AAB-015-30018	LOCK WASHER 1/2	8
ALL	AAB-015-10066	CARRIAGE BOLT 1/2 X 1-1/2 UNC GRD 5	8

CONVEYOR BASE ASSEMBLIES 5000 SERIES - ASSEMBLY PART NUMBERS

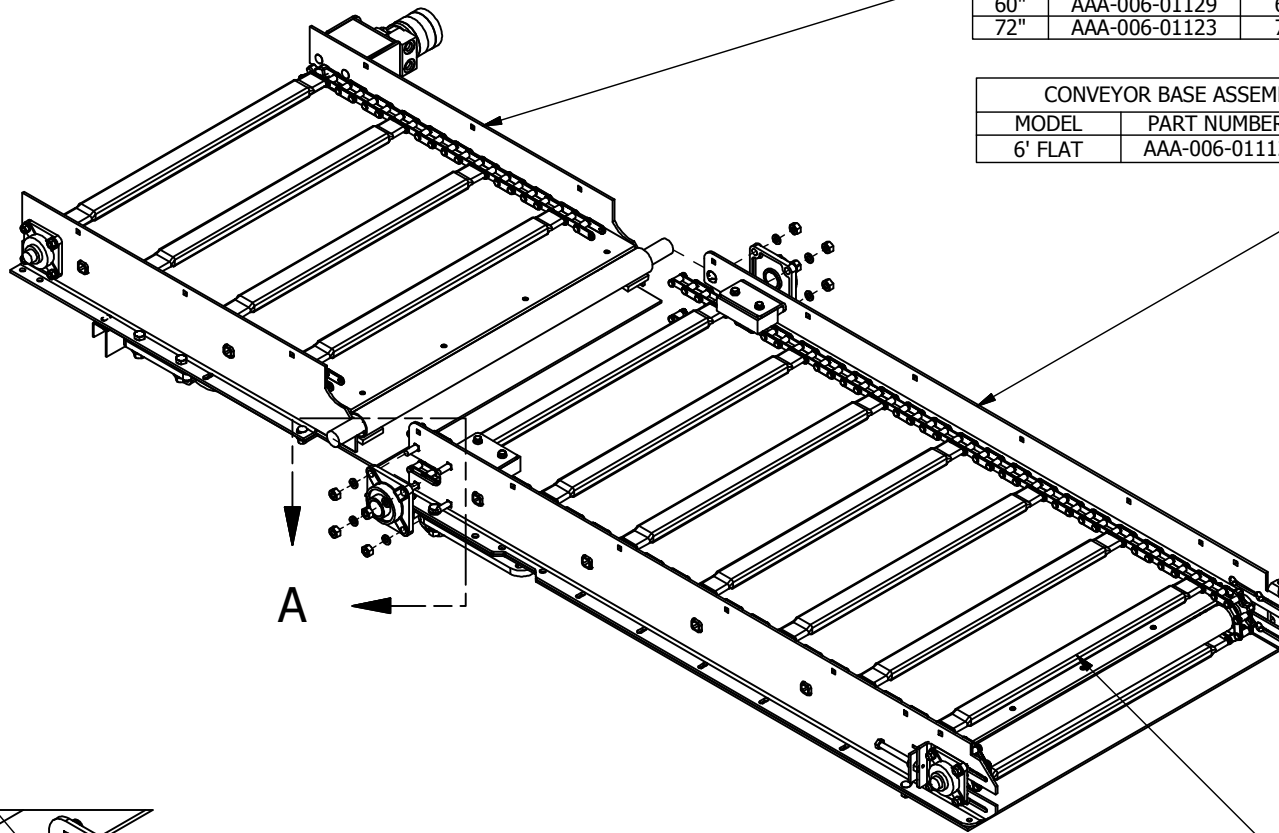
MODEL	PART NUMBER	DESCRIPTION	QTY
6' 41"	AAA-006-01111	6FT 41IN BASE ASSEMBLY	1
6' 60"	AAA-006-01129	6FT 60IN BASE ASSEMBLY	1
6' 72"	AAA-006-01122	6FT 72IN BASE ASSEMBLY	1

CONVEYOR BASE ASSEMBLIES 5000 SERIES - WING ASSEMBLIES

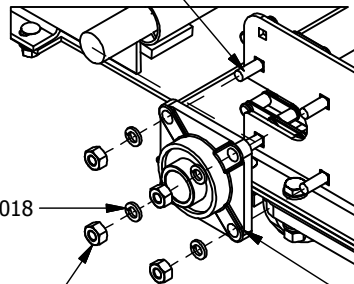
MODEL	PART NUMBER	DESCRIPTION	QTY
41"	AAA-006-01116	41IN CONVEYOR WING ASSEMBLY	1
60"	AAA-006-01129	60IN CONVEYOR WING ASSEMBLY	1
72"	AAA-006-01123	72IN CONVEYOR WING ASSEMBLY	1

CONVEYOR BASE ASSEMBLIES 5000 SERIES - BED ASSEMBLY

MODEL	PART NUMBER	DESCRIPTION	QTY
6' FLAT	AAA-006-01112	6FT FLAT CONVEYOR ASSEMBLY	1



AAB-015-10066



AAB-015-30018

AAB-015-20011

DETAIL A

CONVEYOR BASE ASSEMBLIES 5000 SERIES - APRRON CHAINS

MODEL	PART NUMBER	DESCRIPTION	QTY
6' 41"	AAB-006-00087	APPRON CHAIN C55 W WITH 66 LINKS BOXED SLATS	66 LINKS
6' 60"	AAB-006-00089	APPRON CHAIN C55 W WITH 79 LINKS BOXED SLATS	79 LINKS
6' 72"	AAB-006-00090	APPRON CHAIN C55 W WITH 86 LINKS BOXED SLATS	86 LINKS

CONVEYOR BASE ASSEMBLIES 5000 SERIES - FLANGE BEARINGS

MODEL	PART NUMBER	DESCRIPTION	QTY
ALL	AAB-007-00661	FLANGE BEARING 1-1/2 UCF 208-24	1

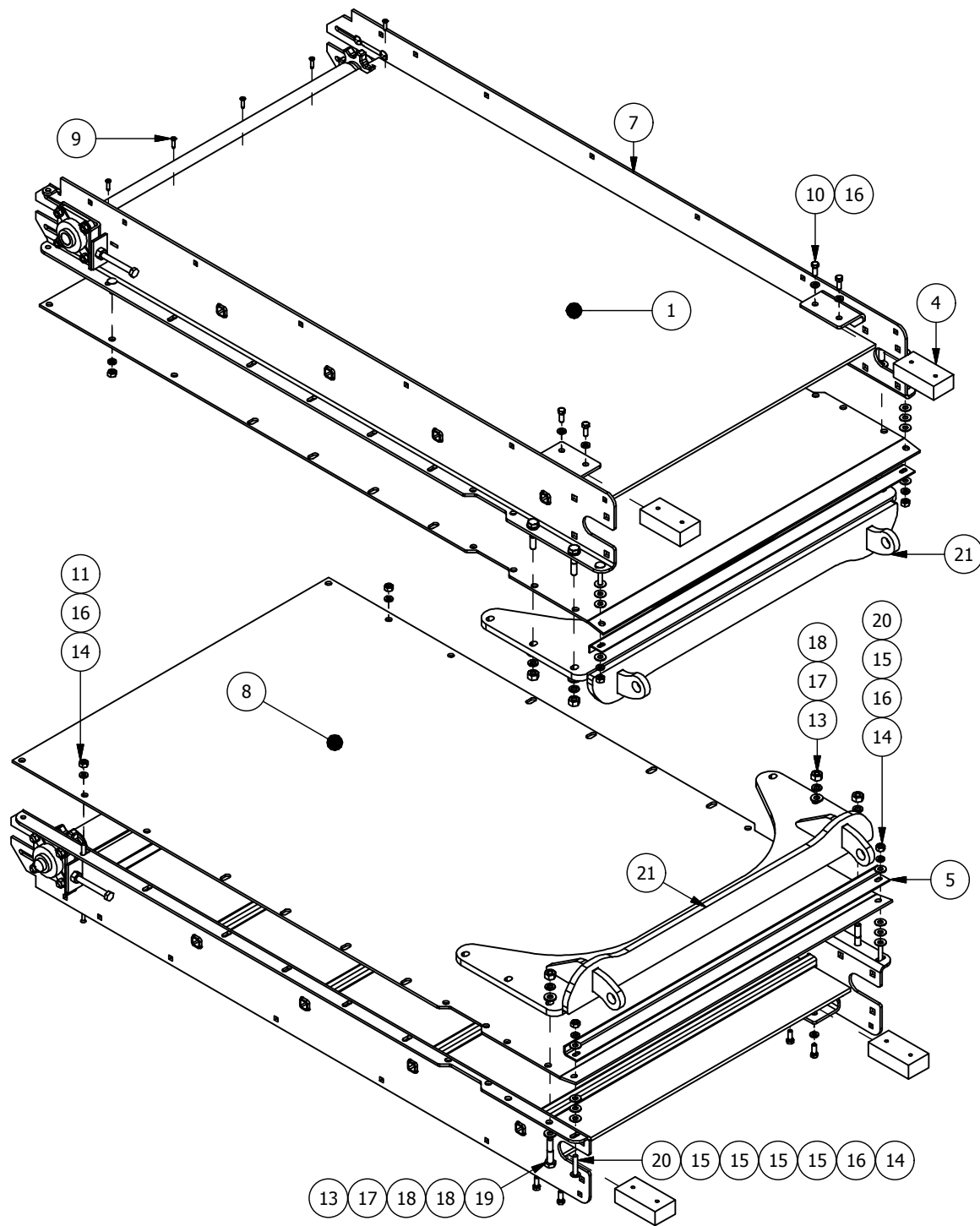
DR	TOLERANCES (UNLESS SPECIFIED OTHERWISE)	JAY•LOR Fabricating Inc
DATE 1/14/2015	FRACTIONAL ± 1/16"	
MAT	DEC X.X ± 0.1" DEC X.XX ± 0.06" DEC X.XXX ± 0.031" ANGULAR ± 0.5°	

UNITS	PAPER A	SHEET 1 OF 1	R#	DATE	DESCRIPTION	DR	CK
-------	---------	--------------	----	------	-------------	----	----

TITLE CONVEYOR BASE ASSEMBLIES 5000 SERIES MIXERS

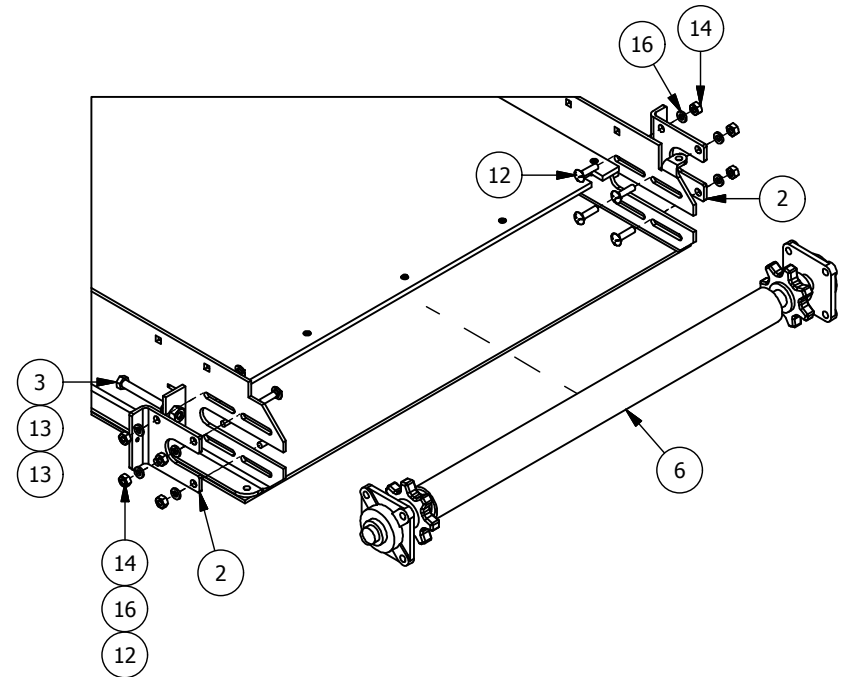
FILE NO AAA-054-00222.idw

CONFIDENTIAL: THESE DRAWINGS AND COPIES THEREOF REMAIN THE PROPERTY OF JAY-LOR FABRICATING INC. ANY PERSON FOUND UNLAWFULLY USING, DISTRIBUTING, OR IN POSSESSION OF THE ABOVE WILL BE PROSECUTED



Parts List			
ITE	PART NUMBER	TITLE	QTY
1	AAA-006-00239	HDPE FLR 6FT FLAT CNVR 3/8T	1
2	AAA-006-00351	CNVR FLNG BRNG HOLDER	2
3	AAA-006-00352	BOLT HEX FULL THREAD MOD 1/2 X 5 X 13	2
4	AAA-006-00363	UPPER UHMW BLOCK	2
5	AAA-006-00406	SUPT ANGLE CNVR BOTTOM SHIELD	1
6	AAA-006-00618-P3	CNVR IDLER SHAFT ASSY	1
7	AAA-006-00929	CNVR 6 FT FLAT WELDMNT 5000 SERIES	1
8	AAB-006-00084	CNVR UNDERSHIELD 6FT FLAT HDPE BLACK 0.22T	1
9	AAB-015-10051	FLOORBOARD SCREW 1/4 X 1" TORX HEAD	5
10	AAB-015-10056	BOLT HEX 3/8 X 1 UNC GRD 2	4
11	AAB-015-10060	BOLT CARRIAGE 3/8 X 1-1/4 UNC GRD 2	2
12	AAB-015-10061	BOLT CARRIAGE 3/8 X 1-1/2 UNC GRD 5	8
13	AAB-015-20011	NUT HEX 1/2 UNC GRD 5	7
14	AAB-015-20017	NUT HEX 3/8 UNC GRD 2	12
15	AAB-015-30012	WSHR FLAT 3/8 USS	8
16	AAB-015-30017	WSHR LOCK 3/8	16
17	AAB-015-30018	WSHR LOCK 1/2	3
18	AAB-015-30035	WASHER FLAT HARDENED 1/2ID X 1-1/16OD X 1/8T	6
19	AAB-015-10088	BOLT HEX 1/2 X 2-1/2 UNC GRD 5	3
20	AAB-015-10081	BOLT CARRIAGE 3/8 X 2 UNC GRD 5	2
21	AAA-006-01146-P3	CNVR 6 FLAT 2 CYL MNT WELDMNT 5000 SERIES	1

* 6' FLAT CONVEYOR BASE ASSEMBLY IS AVAILABLE AS PART # AAA-006-01122



UNITS	PAPER A	SHEET 1 OF 1	R#	DATE	DESCRIPTION
TITLE 6' FLAT CONVEYOR ASSEMBLY 5000 SERIES MIXERS					FILE NO AAA-054-00223.idw

DR	TOLERANCES (UNLESS SPECIFIED OTHERWISE)	JAY-LOR Fabricating Inc
DAT 1/14/2015	FRACTIONAL ± 1/16"	
MAT	DEC X.X ± 0.1"	
	DEC X.XXX ± 0.06"	
	DEC X.XXX ± 0.031"	
	ANGULAR ± 0.5°	
CONFIDENTIAL: THESE DRAWINGS AND COPIES THEREOF REMAIN THE PROPERTY OF JAY-LOR FABRICATING INC. ANY PERSON FOUND UNLAWFULLY USING, DISTRIBUTING, OR IN POSSESSION OF THE ABOVE WILL BE PROSECUTED		

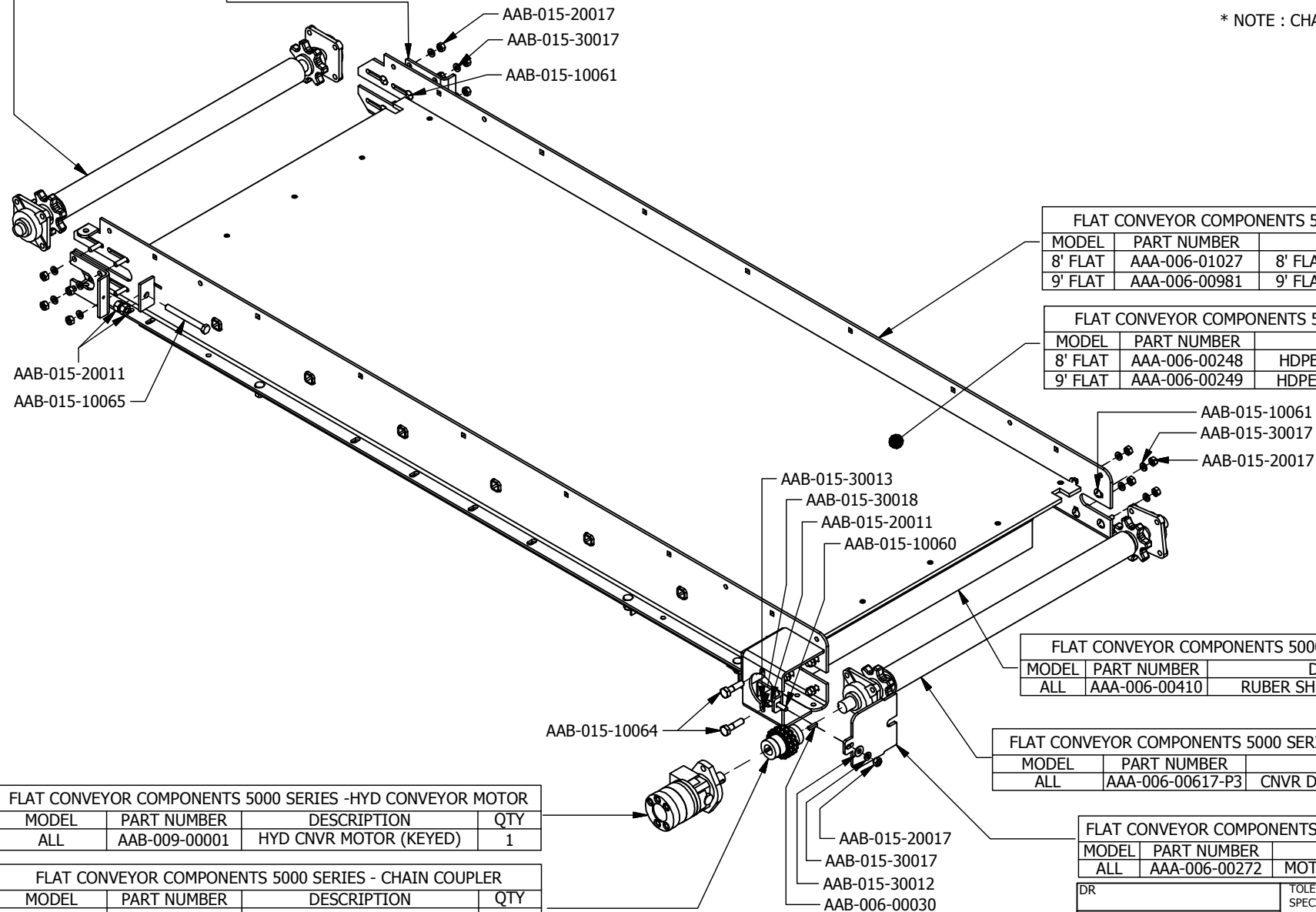
FLAT CONVEYOR COMPONENTS 5000 SERIES - IDLER SHAFT ASSEMBLY			
MODEL	PART NUMBER	DESCRIPTION	QTY
ALL	AAA-006-00618-P3	CNVR IDLER SHAFT ASSEMBLY	1

FLAT CONVEYOR COMPONENTS 5000 SERIES - CONVEYOR ASSEMBLY PART NUMBERS			
MODEL	PART NUMBER	DESCRIPTION	QTY
8' FLAT	AAA-006-01026	8FT FLAT BASE ASSEMBLY	1
9' FLAT	AAA-006-00982	9FT FLAT BASE ASSEMBLY	1

FLAT CONVEYOR COMPONENTS 5000 SERIES - FLANGE BEARING HOLDER			
MODEL	PART NUMBER	DESCRIPTION	QTY
ALL	AAA-006-00351	FLANGE BEARING HOLDER	2

FLAT CONVEYOR COMPONENTS 5000 SERIES - APRON CHAINS			
MODEL	PART NUMBER	DESCRIPTION	QTY
8' FLAT	AAB-006-00088	APRON CHAIN C55 W WITH 58 LINKS BOXED SLATS	58 LINKS
9' FLAT	AAB-006-00087	APRON CHAIN C55 W WITH 66 LINKS BOXED SLATS	66 LINKS

* NOTE : CHAINS NOT SHOWN IN DRAWING



FLAT CONVEYOR COMPONENTS 5000 SERIES - BASE FRAME			
MODEL	PART NUMBER	DESCRIPTION	QTY
8' FLAT	AAA-006-01027	8' FLAT FRAME WELDMNT	1
9' FLAT	AAA-006-00981	9' FLAT FRAME WELDMNT	1

FLAT CONVEYOR COMPONENTS 5000 SERIES - BASE FLOOR			
MODEL	PART NUMBER	DESCRIPTION	QTY
8' FLAT	AAA-006-00248	HDPE FLOOR FOR 8' FLAT	1
9' FLAT	AAA-006-00249	HDPE FLOOR FOR 9' FLAT	1

FLAT CONVEYOR COMPONENTS 5000 SERIES - RUBBER SHIELD			
MODEL	PART NUMBER	DESCRIPTION	QTY
ALL	AAA-006-00410	RUBER SHIELD FOR UNDERSIDE	1

FLAT CONVEYOR COMPONENTS 5000 SERIES - DRIVE SHAFT ASSEMBLY			
MODEL	PART NUMBER	DESCRIPTION	QTY
ALL	AAA-006-00617-P3	CNVR DRIVESHAFT ASSEMBLY	1

FLAT CONVEYOR COMPONENTS 5000 SERIES -HYD CONVEYOR MOTOR			
MODEL	PART NUMBER	DESCRIPTION	QTY
ALL	AAB-009-00001	HYD CNVR MOTOR (KEYED)	1

FLAT CONVEYOR COMPONENTS 5000 SERIES - CHAIN COUPLER			
MODEL	PART NUMBER	DESCRIPTION	QTY
ALL	AAA-006-00026	CNVR CHAIN COUPLER ASSY	1

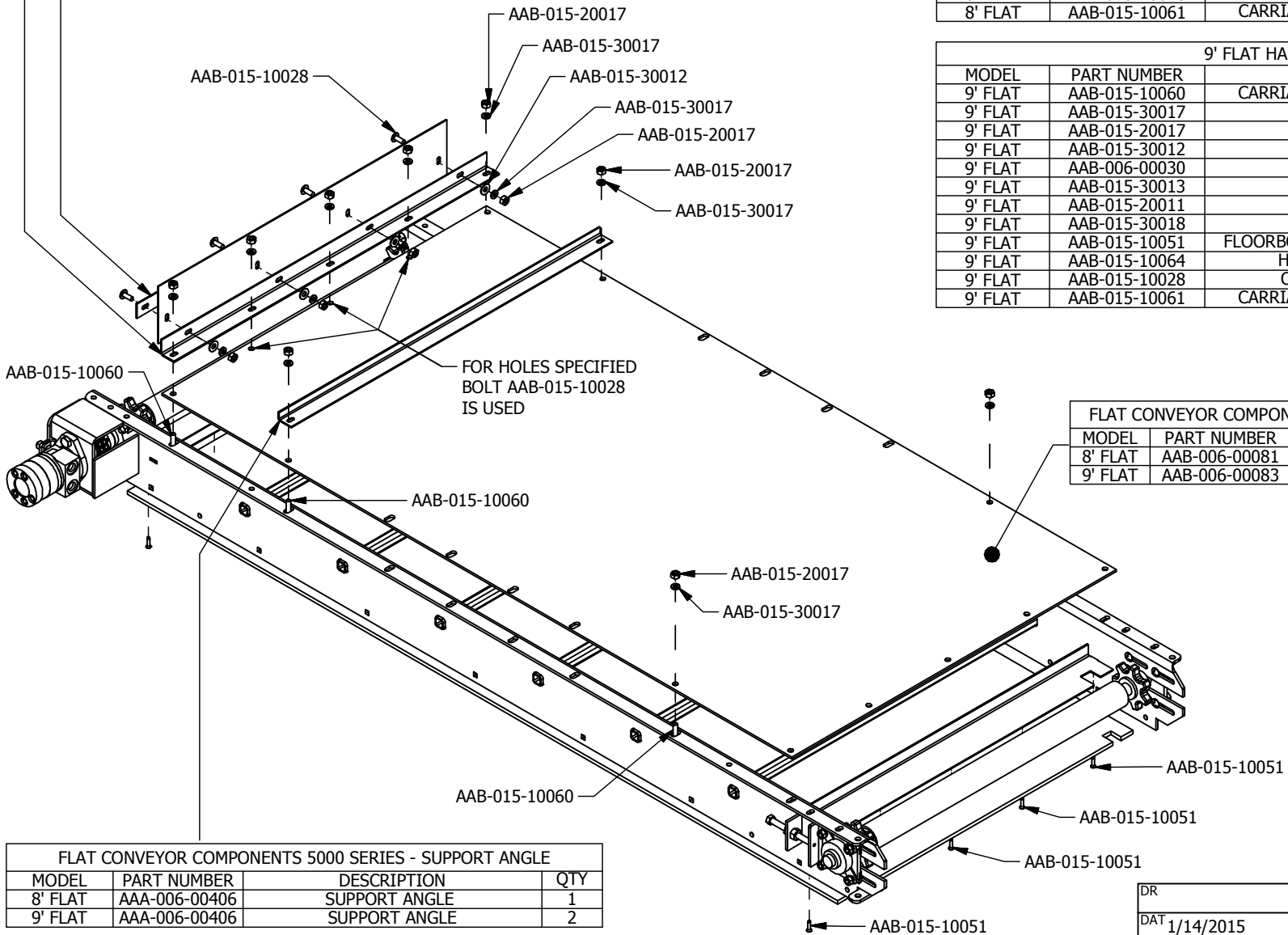
FLAT CONVEYOR COMPONENTS 5000 SERIES - MOTOR COVER			
MODEL	PART NUMBER	DESCRIPTION	QTY
ALL	AAA-006-00272	MOTOR COVER PLATE (GALV)	1

DR	TOLERANCES (UNLESS SPECIFIED OTHERWISE)		
DAT	1/14/2015	FRACTIONAL	± 1/16"
MAT		DEC X.X	± 0.1"
		DEC X.XX	± 0.06"
		DEC X.XXX	± 0.031"
		ANGULAR	± 0.5°



FLAT CONVEYOR COMPONENTS 5000 SERIES - SUPPORT ANGLE AND RUBER SHIELD MOUNT			
MODEL	PART NUMBER	DESCRIPTION	QTY
ALL	AAA-006-00408	SUPPORT ANGLE AND RUBER SHIELD MOUNT	1

FLAT CONVEYOR COMPONENTS 5000 SERIES - RETAINER PLATE			
MODEL	PART NUMBER	DESCRIPTION	QTY
ALL	AAA-006-00409	RUBER FLAP RETAINER	1



8' FLAT HARDWARE			
MODEL	PART NUMBER	DESCRIPTION	QTY
8' FLAT	AAB-015-10060	CARRIAGE BOLT 3/8 X 1-1/4 UNC GRD 2	7
8' FLAT	AAB-015-30017	LOCK WASHER 3/8	30
8' FLAT	AAB-015-20017	HEX NUT 3/8 UNC GRD 2	30
8' FLAT	AAB-015-30012	FLAT WASHER 3/8 USS	5
8' FLAT	AAB-006-00030	SHEAR KEY 1/4 X 1	1
8' FLAT	AAB-015-30013	FLAT WASHER 1/2 USS	2
8' FLAT	AAB-015-20011	HEX NUT 1/2 UNC GRD 5	6
8' FLAT	AAB-015-30018	LOCK WASHER 1/2	2
8' FLAT	AAB-015-10051	FLOORBOARD SCREW 1/2" X 1" TORX HEAD	10
8' FLAT	AAB-015-10064	HEX BOLT 1/2 X 2 UNC GRD 5	2
8' FLAT	AAB-015-10028	CARRIAGE BOLT 3/8 X 1 UNC	7
8' FLAT	AAB-015-10061	CARRIAGE BOLT 3/8 X 1-1/2 UNC GRD 5	16

9' FLAT HARDWARE			
MODEL	PART NUMBER	DESCRIPTION	QTY
9' FLAT	AAB-015-10060	CARRIAGE BOLT 3/8 X 1-1/4 UNC GRD 2	9
9' FLAT	AAB-015-30017	LOCK WASHER 3/8	32
9' FLAT	AAB-015-20017	HEX NUT 3/8 UNC GRD 2	32
9' FLAT	AAB-015-30012	FLAT WASHER 3/8 USS	5
9' FLAT	AAB-006-00030	SHEAR KEY 1/4 X 1	1
9' FLAT	AAB-015-30013	FLAT WASHER 1/2 USS	2
9' FLAT	AAB-015-20011	HEX NUT 1/2 UNC GRD 5	6
9' FLAT	AAB-015-30018	LOCK WASHER 1/2	2
9' FLAT	AAB-015-10051	FLOORBOARD SCREW 1/2" X 1" TORX HEAD	10
9' FLAT	AAB-015-10064	HEX BOLT 1/2 X 2 UNC GRD 5	2
9' FLAT	AAB-015-10028	CARRIAGE BOLT 3/8 X 1 UNC	7
9' FLAT	AAB-015-10061	CARRIAGE BOLT 3/8 X 1-1/2 UNC GRD 5	16

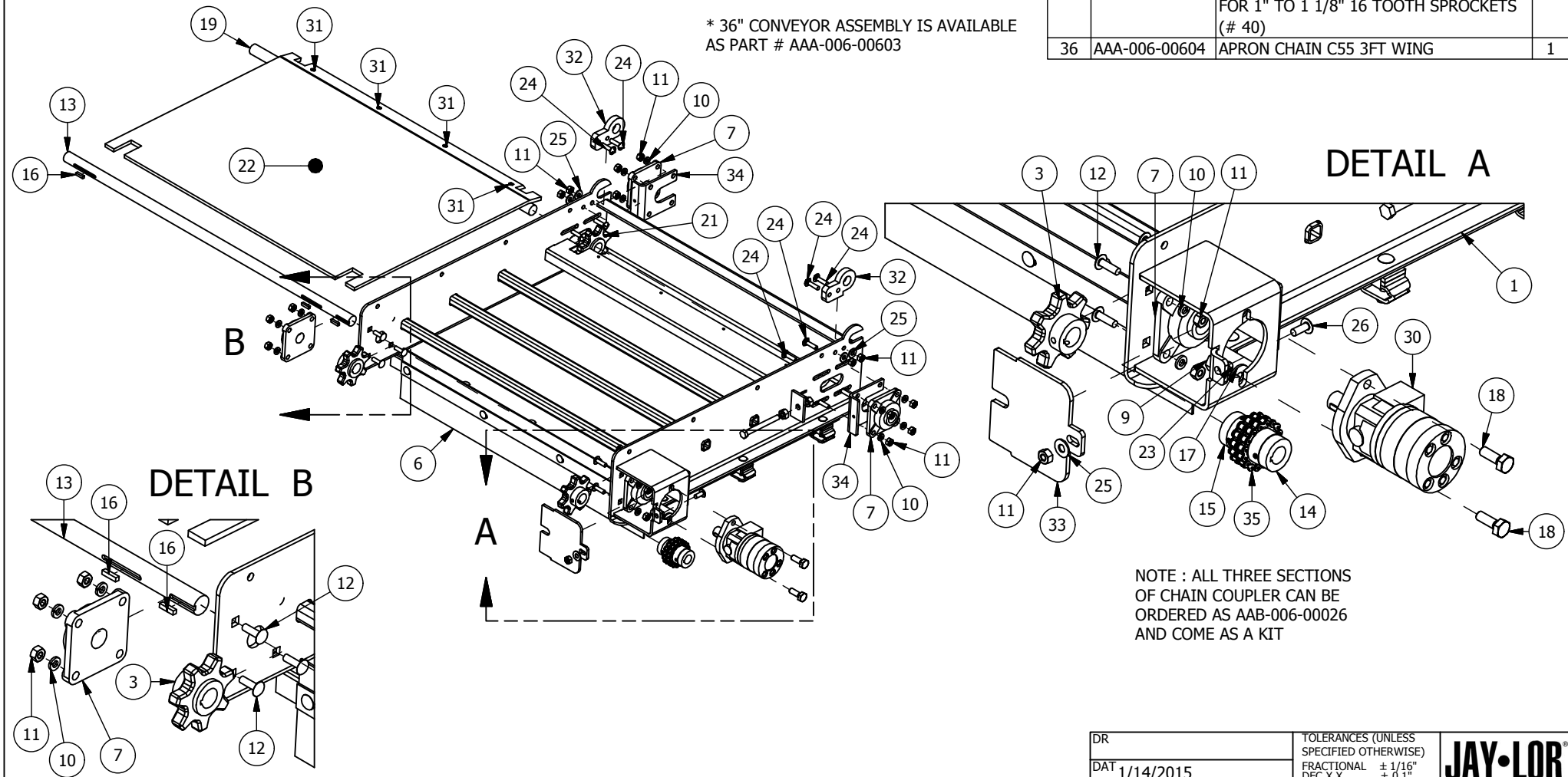
FLAT CONVEYOR COMPONENTS 5000 SERIES - BASE UNDERSHIELD			
MODEL	PART NUMBER	DESCRIPTION	QTY
8' FLAT	AAB-006-00081	HDPE UNDERSHIELD FOR 8' FLAT	1
9' FLAT	AAB-006-00083	HDPE UNDERSHIELD FOR 9' FLAT	1

FLAT CONVEYOR COMPONENTS 5000 SERIES - SUPPORT ANGLE			
MODEL	PART NUMBER	DESCRIPTION	QTY
8' FLAT	AAA-006-00406	SUPPORT ANGLE	1
9' FLAT	AAA-006-00406	SUPPORT ANGLE	2

DR	TOLERANCES (UNLESS SPECIFIED OTHERWISE)	JAY-LOR Fabricating Inc
DAT 1/14/2015	FRACTIONAL ± 1/16"	
MAT	DEC XXX ± 0.1" DEC XXX ± 0.06" DEC XXX ± 0.031" ANGULAR ± 0.5°	

Parts List				Parts List				Parts List			
ITEM	PART NUMBER	TITLE	QTY	ITEM	PART NUMBER	TITLE	QTY	ITEM	PART NUMBER	TITLE	QTY
1	AAA-006-00192	CNVR WING 3FT WELDMENT	1	13	AAB-006-00012	DRIVE SHAFT 1-1/8DIA X 41L COLD RLD	1	25	AAB-015-30012	WSHR FLAT 3/8 USS	18
2	AAA-006-00208	POLY UNDERSHIELD 3FT WING CNVR	1	14	AAB-006-00028	CHAIN COUPLER 1 SHAFT	1	26	AAB-015-10028	BOLT CARRIAGE 3/8 X 1 UNC	12
3	AAB-006-00013	CAST SPROCKET KEYED	2	15	AAB-006-00029	CHAIN COUPLER 1-1/8 SHAFT	1	27	AAA-006-00135	PLASTIC SPCR 1/4T	4
4	AAA-006-00409	RUBR FLAP RETAINER FB	1	16	AAB-006-00030	SHEAR KEY 1/4 X 1	3	28	AAA-002-00343	HYD HOSE CLIP	4
5	AAA-006-00407	PLASTIC SUPT AND RUBR BRKT 38-1/2 FOR WING CNVR	1	17	AAB-015-30013	WSHR FLAT 1/2 USS	2	29	AAB-015-10081	BOLT CARRIAGE 3/8 X 2 UNC GRD 5	2
6	AAA-006-00410	RUBR FLAP FOR UNDERSIDE OF CNVR	1	18	AAB-015-10063	BOLT HEX 1/2 X 1-1/2 UNC GRD 5	2	30	AAB-009-00001	HYD CNVR MOTOR 1 KEYED	1
7	AAB-006-00009	FLNG BRNG 1-1/8 ID	4	19	AAA-006-00354	IDLER SHAFT 1-1/8DIA X 40-1/4L COLD RLD	1	31	AAB-015-10051	FLOORBOARD SCREW 1/4 X 1" TORX HEAD	4
8	AAA-006-00352	BOLT HEX FULL THREAD MOD 1/2 X 5 X 13	2	20	AAA-006-00406	SUPT ANGLE CNVR BOTTOM SHIELD	2	32	AAA-006-00196	5/8T HINGE REINFORCEMENT FOR 36 CNVR WALL	2
9	AAB-015-20011	NUT HEX 1/2 UNC GRD 5	6	21	AAB-006-00011	CAST SPROCKET WITH SET SCR FOR IDLER	2	33	AAA-006-00272	REMOVABLE CNVR MOTOR MNT COVER 3/16T	1
10	AAB-015-30017	WSHR LOCK 3/8	16	22	AAA-006-00207	HDPE FLR 3FT WING CNVR 3/8T	1	34	AAA-006-00351	CNVR FLNG BRNG HOLDER	2
11	AAB-015-20017	NUT HEX 3/8 UNC GRD 2	34	23	AAB-015-30018	WSHR LOCK 1/2	2	35	AAB-006-00027	CONNECTING CHAIN, DOUBLE WIDTH, FOR 1" TO 1 1/8" 16 TOOTH SPROCKETS (# 40)	1
12	AAB-015-10060	BOLT CARRIAGE 3/8 X 1-1/4 UNC GRD 2	8	24	AAB-015-10061	BOLT CARRIAGE 3/8 X 1-1/2 UNC GRD 5	12	36	AAA-006-00604	APRON CHAIN C55 3FT WING	1

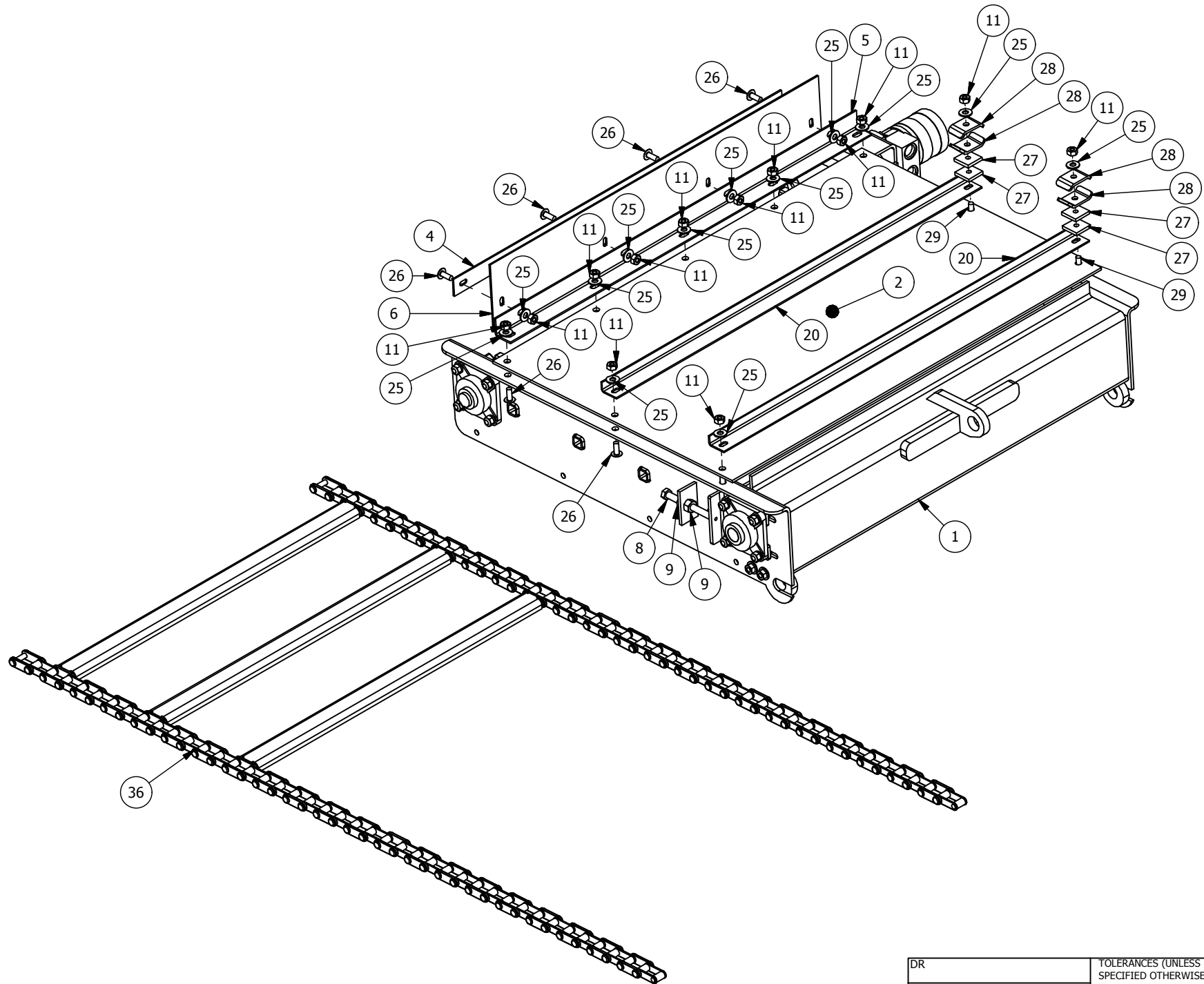
* 36" CONVEYOR ASSEMBLY IS AVAILABLE AS PART # AAA-006-00603



NOTE : ALL THREE SECTIONS OF CHAIN COUPLER CAN BE ORDERED AS AAB-006-00026 AND COME AS A KIT

UNITS	PAPER A	SHEET 1 OF 2	R#	DATE	DESCRIPTION	DR	CK
TITLE 36" CONVEYOR ASSEMBLY 5000 SERIES MIXERS					FILE NO	AAA-054-00225.idw	

DR	TOLERANCES (UNLESS SPECIFIED OTHERWISE)	
DAT 1/14/2015	FRACTIONAL ± 1/16"	
MAT	DEC X.X ± 0.1"	
	DEC X.XXX ± 0.06"	
	ANGULAR ± 0.031"	
<small>CONFIDENTIAL: THESE DRAWINGS AND COPIES THEREOF REMAIN THE PROPERTY OF JAY-LOR FABRICATING INC. ANY PERSON FOUND UNLAWFULLY USING, DISTRIBUTING, OR IN POSSESSION OF THE ABOVE WILL BE PROSECUTED</small>		

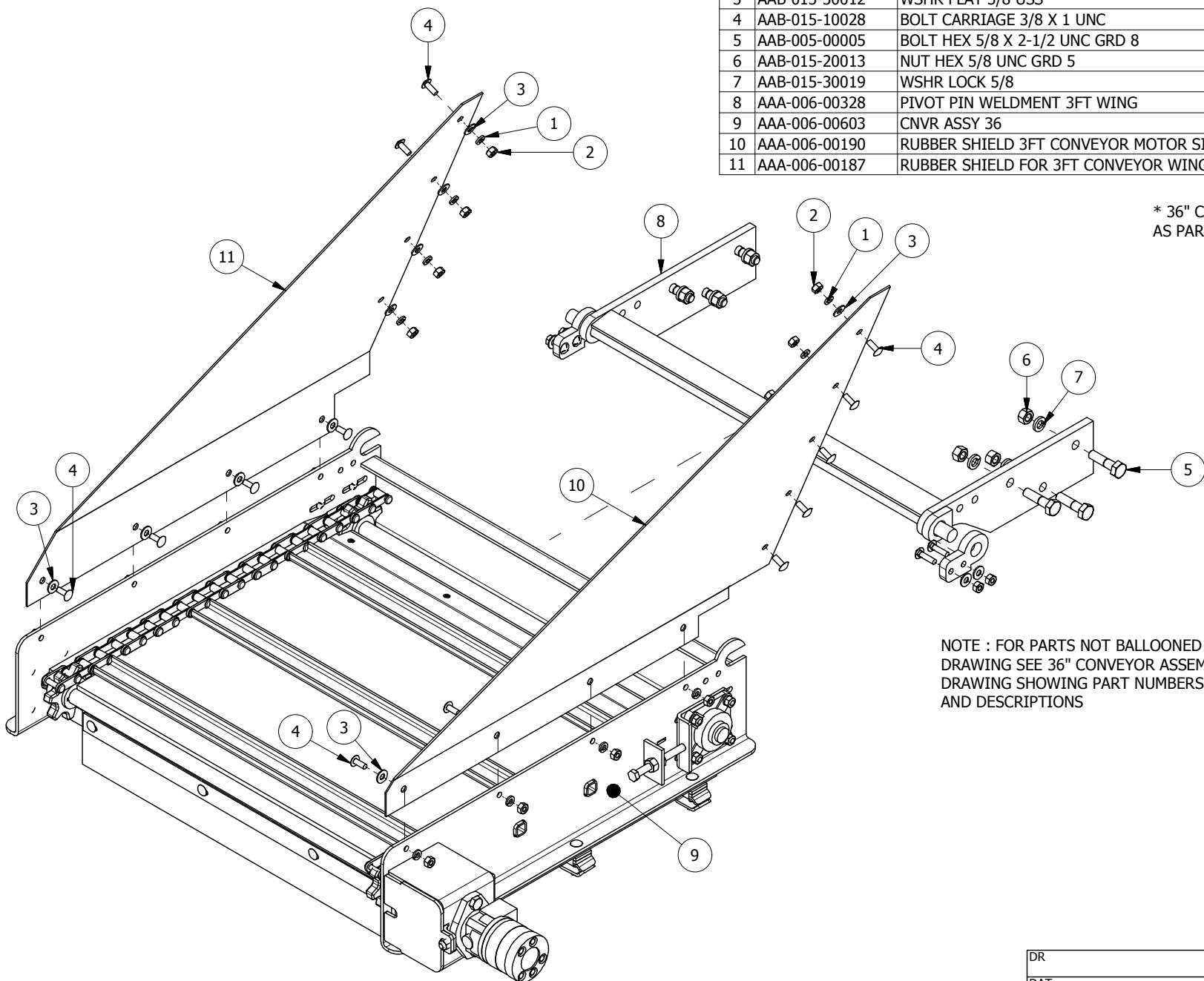


DR	TOLERANCES (UNLESS SPECIFIED OTHERWISE)	JAY•LOR Fabricating Inc
DAT 1/14/2015	FRACTIONAL ± 1/16"	
MAT	DEC X.X ± 0.1"	
	DEC X.XX ± 0.06"	
	DEC X.XXX ± 0.031"	
	ANGULAR ± 0.5°	

UNITS	PAPER A	SHEET 2 OF 2	R#	DATE	DESCRIPTION	DR	CK
TITLE 36" CONVEYOR ASSEMBLY 5000 SERIES MIXERS					FILE NO AAA-054-00225.idw		

CONFIDENTIAL: THESE DRAWINGS AND COPIES THEREOF REMAIN THE PROPERTY OF JAY-LOR FABRICATING INC. ANY PERSON FOUND UNLAWFULLY USING, DISTRIBUTING, OR IN POSSESSION OF THE ABOVE WILL BE PROSECUTED

Parts List			
ITE	PART NUMBER	TITLE	QTY
1	AAB-015-30017	WSHR LOCK 3/8	17
2	AAB-015-20017	NUT HEX 3/8 UNC GRD 2	17
3	AAB-015-30012	WSHR FLAT 3/8 USS	17
4	AAB-015-10028	BOLT CARRIAGE 3/8 X 1 UNC	17
5	AAB-005-00005	BOLT HEX 5/8 X 2-1/2 UNC GRD 8	6
6	AAB-015-20013	NUT HEX 5/8 UNC GRD 5	6
7	AAB-015-30019	WSHR LOCK 5/8	6
8	AAA-006-00328	PIVOT PIN WELDMENT 3FT WING	1
9	AAA-006-00603	CNVR ASSY 36	1
10	AAA-006-00190	RUBBER SHIELD 3FT CONVEYOR MOTOR SIDE	1
11	AAA-006-00187	RUBBER SHIELD FOR 3FT CONVEYOR WING OPPOSITE MOTOR SIDE	1



* 36" CONVEYOR ASSEMBLY IS AVAILABLE AS PART # AAA-006-00191

NOTE : FOR PARTS NOT BALLOONED ON DRAWING SEE 36" CONVEYOR ASSEMBLY DRAWING SHOWING PART NUMBERS AND DESCRIPTIONS

UNITS	PAPER A	SHEET 1 OF 1	R#	DATE	DESCRIPTION	DR	CK
TITLE 36" CONVEYOR FINAL ASSEMBLY 5000 SERIES MIXERS					FILE NO	AAA-054-00226.idw	

DR	TOLERANCES (UNLESS SPECIFIED OTHERWISE)	JAY•LOR Fabricating Inc
DAT 1/15/2015	FRACTIONAL ± 1/16"	
MAT	DEC X.X ± 0.1"	
	DEC X.XXX ± 0.06"	
	DEC X.XXXX ± 0.031"	
	ANGULAR ± 0.5°	
<small>CONFIDENTIAL: THESE DRAWINGS AND COPIES THEREOF REMAIN THE PROPERTY OF JAY-LOR FABRICATING INC. ANY PERSON FOUND UNLAWFULLY USING, DISTRIBUTING, OR IN POSSESSION OF THE ABOVE WILL BE PROSECUTED</small>		

WING CONVEYOR FINAL ASSEMBLY 5000 SERIES - CHAIN GUARD			
MODEL	PART NUMBER	DESCRIPTION	QTY
6'41"	AAA-006-00956	CONVEYOR CHAIN GUARD 41IN WING	1
6'60"	AAA-006-01008	CONVEYOR CHAIN GUARD 60IN WING	1
6'72"	AAA-006-01000	CONVEYOR CHAIN GUARD 72IN WING	1

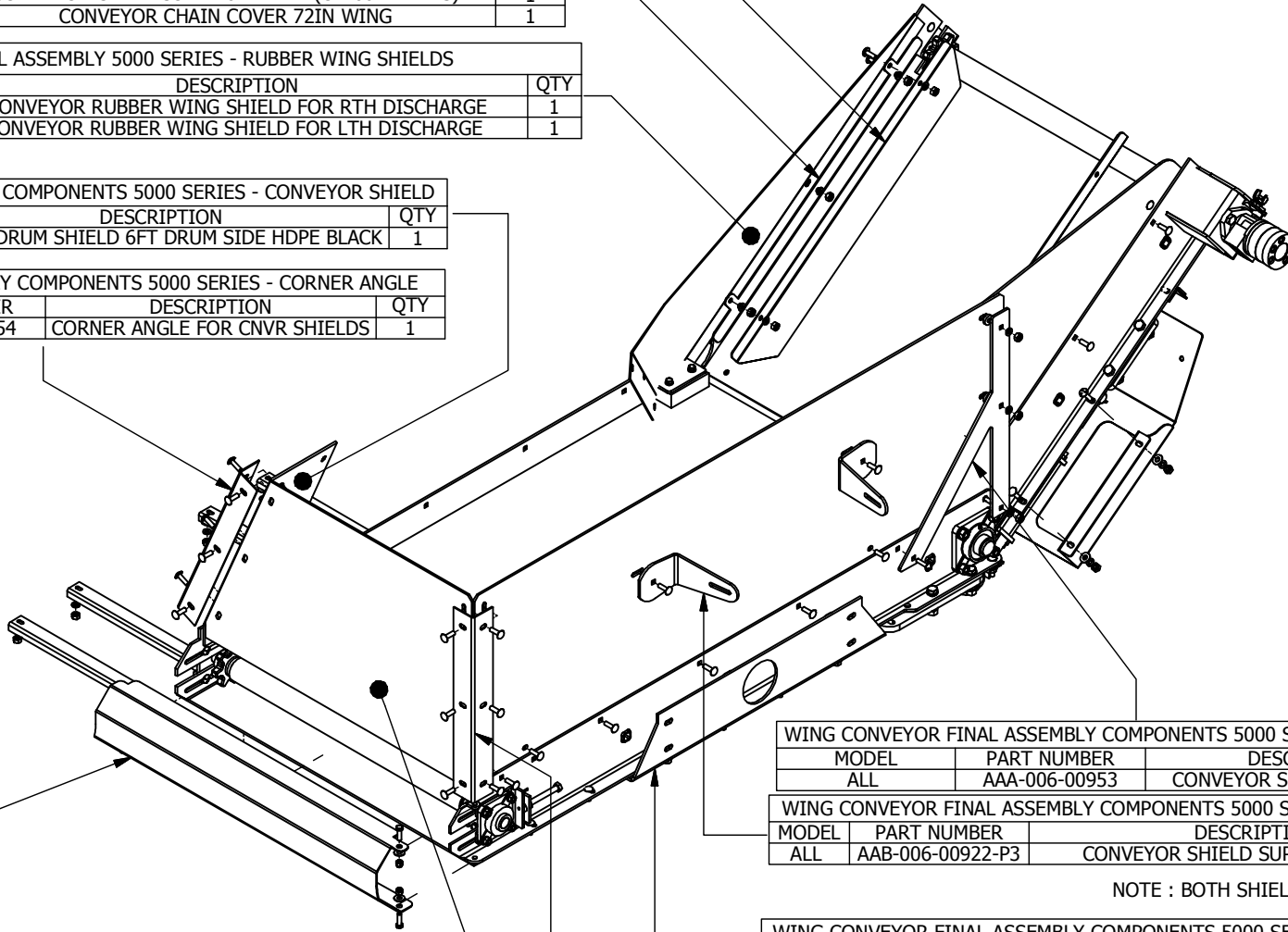
WING CONVEYOR FINAL ASSEMBLY 5000 SERIES - CHAIN COVER			
MODEL	PART NUMBER	DESCRIPTION	QTY
6'41"	AAA-006-01045	CONVEYOR CHAIN COVER 41IN WING	1
6'60"	AAA-006-01044	CONVEYOR CHAIN COVER 6FT FLAT (OR 60IN WING)	1
6'72"	AAA-006-01048	CONVEYOR CHAIN COVER 72IN WING	1

WING CONVEYOR FINAL ASSEMBLY 5000 SERIES - RUBBER WING SHIELDS			
MODEL	PART NUMBER	DESCRIPTION	QTY
ALL RTH	AAA-006-01033	CONVEYOR RUBBER WING SHIELD FOR RTH DISCHARGE	1
ALL LTH	AAA-006-00954	CONVEYOR RUBBER WING SHIELD FOR LTH DISCHARGE	1

WING CONVEYOR FINAL ASSEMBLY COMPONENTS 5000 SERIES - CONVEYOR SHIELD			
MODEL	PART NUMBER	DESCRIPTION	QTY
ALL	AAB-006-00073	CNVR DRUM SHIELD 6FT DRUM SIDE HDPE BLACK	1

WING CONVEYOR FINAL ASSEMBLY COMPONENTS 5000 SERIES - CORNER ANGLE			
MODEL	PART NUMBER	DESCRIPTION	QTY
ALL	AAA-006-00054	CORNER ANGLE FOR CNVR SHIELDS	1

WING CONVEYOR FINAL ASSEMBLY 5000 SERIES - ASSEMBLY PART NUMBERS			
MODEL	PART NUMBER	DESCRIPTION	QTY
6'41" RTH	AAA-006-01120	6'41" RTH CONVEYOR ASSEMBLY	1
6'41" LTH	AAA-006-01110	6'41" LTH CONVEYOR ASSEMBLY	1
6'60" RTH	AAA-006-01134	6'60" RTH CONVEYOR ASSEMBLY	1
6'60" LTH	AAA-006-01128	6'60" LTH CONVEYOR ASSEMBLY	1
6'72" RTH	AAA-006-01127	6'72" RTH CONVEYOR ASSEMBLY	1
6'72" LTH	AAA-006-01121	6'72" LTH CONVEYOR ASSEMBLY	1



WING CONVEYOR FINAL ASSEMBLY COMPONENTS 5000 SERIES - SHIELD STIFFENER			
MODEL	PART NUMBER	DESCRIPTION	QTY
ALL	AAA-006-00953	CONVEYOR SHIELD STIFFENER	1

WING CONVEYOR FINAL ASSEMBLY COMPONENTS 5000 SERIES - SHIELD SUPPORTS			
MODEL	PART NUMBER	DESCRIPTION	QTY
ALL	AAB-006-00922-P3	CONVEYOR SHIELD SUPPORT BRACKET	1

NOTE : BOTH SHIELD SUPPORTS ARE THE SAME

WING CONVEYOR FINAL ASSEMBLY COMPONENTS 5000 SERIES - CONVEYOR MOUNT			
MODEL	PART NUMBER	DESCRIPTION	QTY
ALL	AAA-006-00030-P3	FRONT CONVEYOR MOUNTING BRACKET	1

WING CONVEYOR FINAL ASSEMBLY COMPONENTS 5000 SERIES - CONVEYOR BOOT			
MODEL	PART NUMBER	DESCRIPTION	QTY
ALL	AAA-006-00943	CONVEYOR BOOT (GALV)	1

WING CONVEYOR FINAL ASSEMBLY COMPONENTS 5000 SERIES - CONVEYOR SHIELD			
MODEL	PART NUMBER	DESCRIPTION	QTY
ALL	AAB-006-00072	CNVR DRUM SHIELD 6FT END HDPE BLACK	1

WING CONVEYOR FINAL ASSEMBLY COMPONENTS 5000 SERIES - CORNER ANGLE			
MODEL	PART NUMBER	DESCRIPTION	QTY
ALL	AAA-006-00054	CORNER ANGLE FOR CNVR SHIELDS	1

UNITS PAPER A SHEET 1 OF 3 R# DATE DESCRIPTION DR CK

DR	TOLERANCES (UNLESS SPECIFIED OTHERWISE)	JAY-LOR Fabricating Inc
DAT 1/15/2015	FRACTIONAL ± 1/16"	
MAT	DEC X.X ± 0.1"	
	DEC X.XXX ± 0.06"	
	DEC X.XXX ± 0.031"	
	ANGULAR ± 0.5°	

TITLE WING CONVEYOR FINAL ASSEMBLY COMPONENTS 5000 SERIES MIXERS

FILE NO AAA-054-00227.idw

CONFIDENTIAL: THESE DRAWINGS AND COPIES THEREOF REMAIN THE PROPERTY OF JAY-LOR FABRICATING INC. ANY PERSON FOUND UNLAWFULLY USING, DISTRIBUTING, OR IN POSSESSION OF THE ABOVE WILL BE PROSECUTED

WING CONVEYOR FINAL ASSEMBLY COMPONENTS 5000 SERIES - CONVEYOR SHIELD			
MODEL	PART NUMBER	DESCRIPTION	QTY
ALL	AAB-006-00071	CNVR SHIELD 6FT FRT HDPE BLACK	1

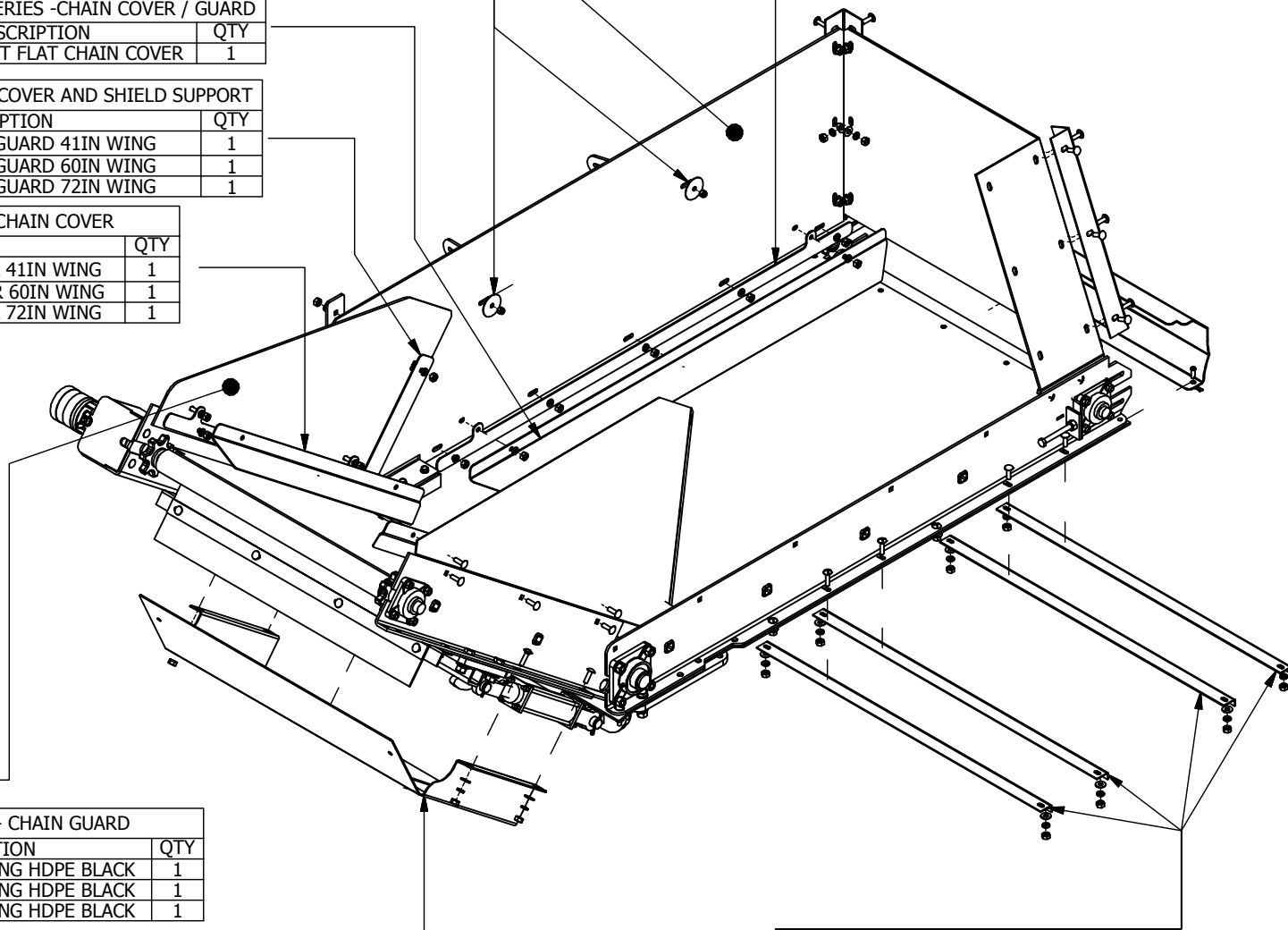
WING CONVEYOR FINAL ASSEMBLY COMPONENTS 5000 SERIES - CHAIN COVER			
MODEL	PART NUMBER	DESCRIPTION	QTY
ALL	AAA-006-00945	CONVEYOR CHAIN COVER BRACKET	1

WING CONVEYOR FINAL ASSEMBLY COMPONENTS 5000 SERIES - SHIELD WASHER			
MODEL	PART NUMBER	DESCRIPTION	QTY
ALL	AAB-015-30042	CONVEYOR SHIELD WASHER	2

WING CONVEYOR FINAL ASSEMBLY COMPONENTS 5000 SERIES -CHAIN COVER / GUARD			
MODEL	PART NUMBER	DESCRIPTION	QTY
ALL	AAA-006-01044	CONVEYOR 6FT FLAT CHAIN COVER	1

WING CONVEYOR FINAL ASSEMBLY 5000 SERIES - CHAIN COVER AND SHIELD SUPPORT			
MODEL	PART NUMBER	DESCRIPTION	QTY
6'41"	AAA-006-00956	CONVEYOR CHAIN GUARD 41IN WING	1
6'60"	AAA-006-01007	CONVEYOR CHAIN GUARD 60IN WING	1
6'72"	AAA-006-00999	CONVEYOR CHAIN GUARD 72IN WING	1

WING CONVEYOR FINAL ASSEMBLY 5000 SERIES - CHAIN COVER			
MODEL	PART NUMBER	DESCRIPTION	QTY
6'41"	AAA-006-01045	CONVEYOR CHAIN COVER 41IN WING	1
6'60"	AAA-006-01044	CONVEYOR CHAIN COVER 60IN WING	1
6'72"	AAA-006-01048	CONVEYOR CHAIN COVER 72IN WING	1



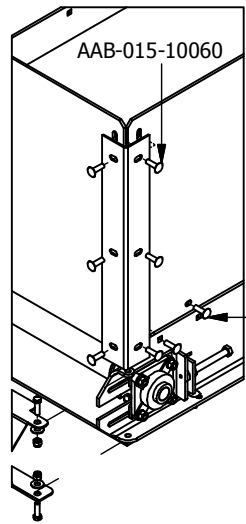
WING CONVEYOR FINAL ASSEMBLY 5000 SERIES - CHAIN GUARD			
MODEL	PART NUMBER	DESCRIPTION	QTY
6'41"	AAB-006-00074	CNVR SHIELD 41" WING HDPE BLACK	1
6'60"	AAB-006-00078	CNVR SHIELD 60" WING HDPE BLACK	1
6'72"	AAB-006-00077	CNVR SHIELD 72" WING HDPE BLACK	1

WING CONVEYOR FINAL ASSEMBLY 5000 SERIES - SKID PLATE			
MODEL	PART NUMBER	DESCRIPTION	QTY
ALL	AAA-006-01149-P3	CONVEYOR SKID PLATE 2 CYLINDERS	1

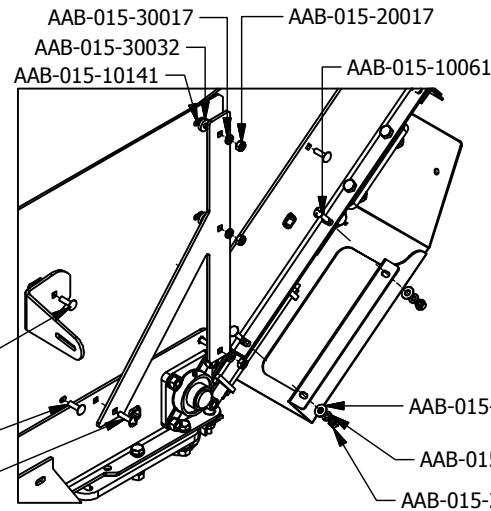
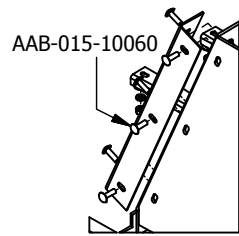
WING CONVEYOR FINAL ASSEMBLY COMPONENTS 5000 SERIES - SUPPORT ANGLE			
MODEL	PART NUMBER	DESCRIPTION	QTY
ALL	AAA-006-00406	SUPPORT ANGLE FOR CNVR UNDERSIDE	4

UNITS	PAPER A	SHEET 2 OF 3	R#	DATE	DESCRIPTION	DR	CK	DR	1/15/2015	TOLERANCES (UNLESS SPECIFIED OTHERWISE)	
TITLE	WING CONVEYOR FINAL ASSEMBLY COMPONENTS 5000 SERIES MIXERS					FILE NO	AAA-054-00227.idw		MAT	FRACTIONAL ± 1/16" DEC X.X ± 0.1" DEC X.XX ± 0.06" DEC X.XXX ± 0.031" ANGULAR ± 0.5°	
CONFIDENTIAL: THESE DRAWINGS AND COPIES THEREOF REMAIN THE PROPERTY OF JAY-LOR FABRICATING INC. ANY PERSON FOUND UNLAWFULLY USING, DISTRIBUTING, OR IN POSSESSION OF THE ABOVE WILL BE PROSECUTED											

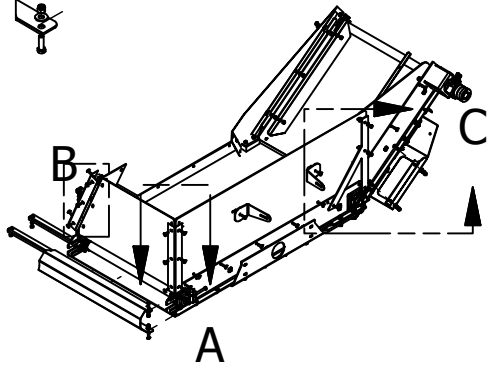
DETAIL A



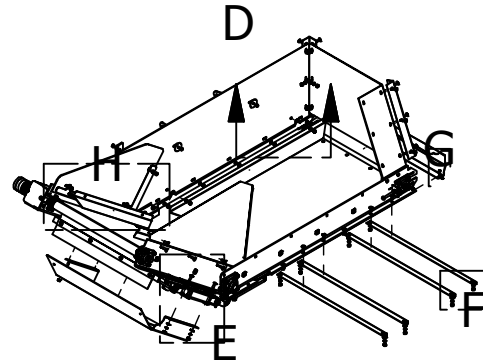
DETAIL B



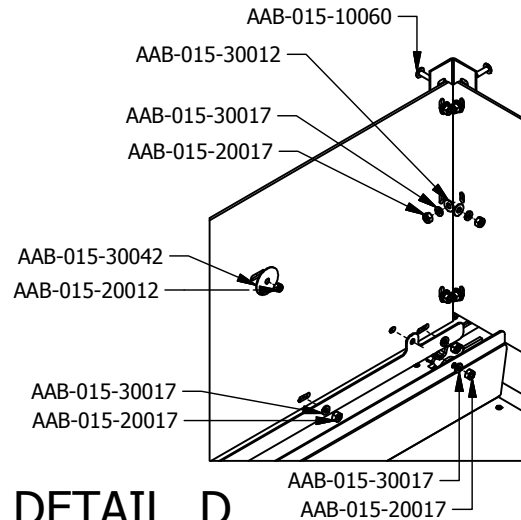
DETAIL C



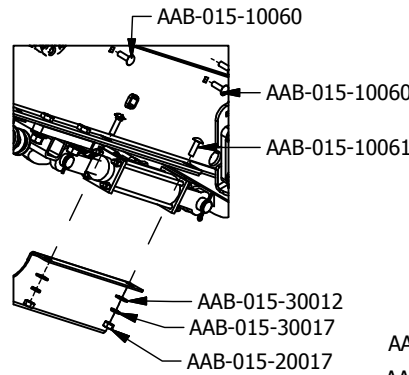
A



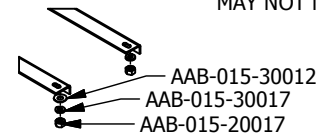
D



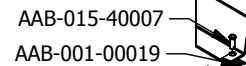
DETAIL D



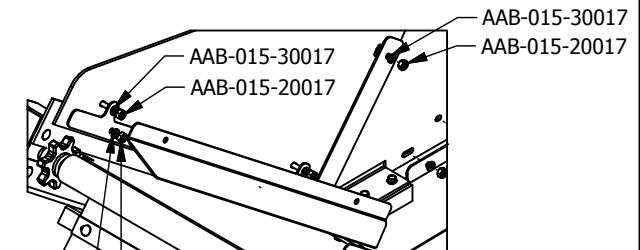
DETAIL E



DETAIL F



DETAIL G



DETAIL H

6'41" RTH & LTH ASSEMBLY HARDWARE

MODEL	PART NUMBER	DESCRIPTION	QTY
6'41"	AAB-015-10060	CARRIAGE BOLT 3/8 X 1-1/4 UNC GRD 2	27
6'41"	AAB-015-30017	LOCK WASHER 3/8	39
6'41"	AAB-015-20017	HEX NUT 3/8 UNC GRD 2	39
6'41"	AAB-015-30012	FLAT WASHER 3/8 USS	27
6'41"	AAB-015-10141	ELEVATOR BOLT 3/8 X 1-1/4 UNC	4
6'41"	AAB-015-30032	WASHER BLACK NYLON 3/8ID X 10D X 1/4T	2
6'41"	AAB-015-20012	HEX NUT 3/8 LOCK NYLON GRD 2	4
6'41"	AAB-015-10111	HEX BOLT 3/8 X 1-1/4 UNC GRD 5	2
6'41"	AAB-015-40007	PIN 3/8 X 7/8 PLT	1
6'41"	AAB-015-40005	PIN CLIP 1/16 X 1-5/8	1
6'41"	AAB-015-10061	CARRIAGE BOLT 3/8 X 1-1/2 UNC GRD 5	10

6'60" RTH & LTH ASSEMBLY HARDWARE

MODEL	PART NUMBER	DESCRIPTION	QTY
6'60"	AAB-015-10060	CARRIAGE BOLT 3/8 X 1-1/4 UNC GRD 2	25
6'60"	AAB-015-30017	LOCK WASHER 3/8	49
6'60"	AAB-015-20017	HEX NUT 3/8 UNC GRD 2	49
6'60"	AAB-015-30012	FLAT WASHER 3/8 USS	35
6'60"	AAB-015-10141	ELEVATOR BOLT 3/8 X 1-1/4 UNC	4
6'60"	AAB-015-30032	WASHER BLACK NYLON 3/8ID X 10D X 1/4T	2
6'60"	AAB-015-20012	HEX NUT 3/8 LOCK NYLON GRD 2	4
6'60"	AAB-015-10111	HEX BOLT 3/8 X 1-1/4 UNC GRD 5	2
6'60"	AAB-015-40007	PIN 3/8 X 7/8 PLT	1
6'60"	AAB-015-40005	PIN CLIP 1/16 X 1-5/8	1
6'60"	AAB-015-10061	CARRIAGE BOLT 3/8 X 1-1/2 UNC GRD 5	4
6'60"	AAB-015-10028	CARRIAGE BOLT 3/8 X 1 UNC	16
6'60"	AAB-015-10056	HEX BOLT 3/8 X 1 UNC GRD 2	2

6'72" RTH & LTH ASSEMBLY HARDWARE

MODEL	PART NUMBER	DESCRIPTION	QTY
6'72"	AAB-015-10060	CARRIAGE BOLT 3/8 X 1-1/4 UNC GRD 2	17
6'72"	AAB-015-30017	LOCK WASHER 3/8	43
6'72"	AAB-015-20017	HEX NUT 3/8 UNC GRD 2	43
6'72"	AAB-015-30012	FLAT WASHER 3/8 USS	23
6'72"	AAB-015-10141	ELEVATOR BOLT 3/8 X 1-1/4 UNC	4
6'72"	AAB-015-30032	WASHER BLACK NYLON 3/8ID X 10D X 1/4T	2
6'72"	AAB-015-20012	HEX NUT 3/8 LOCK NYLON GRD 2	4
6'72"	AAB-015-10111	HEX BOLT 3/8 X 1-1/4 UNC GRD 5	2
6'72"	AAB-015-40007	PIN 3/8 X 7/8 PLT	1
6'72"	AAB-015-40005	PIN CLIP 1/16 X 1-5/8	1
6'72"	AAB-015-10061	CARRIAGE BOLT 3/8 X 1-1/2 UNC GRD 5	10
6'72"	AAB-015-10028	CARRIAGE BOLT 3/8 X 1 UNC	14

NOTE : SOME HARDWARE USED ON 6'60" AND 6'72" CONVEYOR ASSEMBLIES MAY NOT MATCH WHAT IS SHOWN IN DRAWING.

FLAT CONVEYOR FINAL ASSEMBLY 5000 SERIES - CONVEYOR SHIELDS			
MODEL	PART NUMBER	DESCRIPTION	QTY
8' FLAT	AAB-006-00080	CONVEYOR SHIELD FOR 8' (DRUM SIDE) HDPE BLACK	1
9'2" FLAT	AAB-006-00075	CONVEYOR SHIELD FOR 9'2" (DRUM SIDE) HDPE BLACK	1

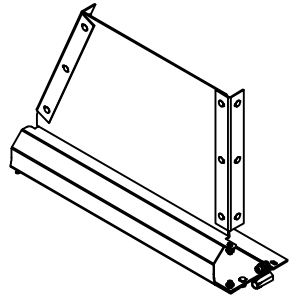
NOTE : DRUM SHIELDS ARE THE SAME ON BOTH SIDES FOR BOTH 8' AND 9'2" FLAT CONVEYORS

FLAT CONVEYOR FINAL ASSEMBLY COMPONENTS 5000 SERIES - SHIELD BRACE			
MODEL	PART NUMBER	DESCRIPTION	QTY
ALL	AAA-006-00078	SHIELD BRACE	2

FLAT CONVEYOR FINAL ASSEMBLY COMPONENTS 5000 SERIES - CONVEYOR SHIELD			
MODEL	PART NUMBER	DESCRIPTION	QTY
8' FLAT	AAB-006-00080	CONVEYOR SHIELD FOR 8' (DRUM SIDE) HDPE BLACK	1
9'2" FLAT	AAB-006-00075	CONVEYOR SHIELD FOR 9'2" (DRUM SIDE) HDPE BLACK	1

FLAT CONVEYOR FINAL ASSEMBLY COMPONENTS 5000 SERIES - CORNER ANGLE			
MODEL	PART NUMBER	DESCRIPTION	QTY
RTH OR LTH FLATS	AAA-006-01064	CORNER ANGLE FOR CNVR SHIELDS	1

FLAT CONVEYOR FINAL ASSEMBLY COMPONENTS 5000 SERIES - UNDERSHIELD			
MODEL	PART NUMBER	DESCRIPTION	QTY
RTH OR LTH FLATS	AAB-006-00095	POLY UNDERSHIELD	1



NOTE : BOOT KIT FOR 5000 SERIES 8' OR 9'2" FLAT CONVEYORS AVAILABLE AS AAA-006-01066 AND COMES WITH COMPONENTS SHOWN IN DRAWING ABOVE. THIS KIT INCLUDES THE ADAPTOR FITTING AND CHECK VALVE NEEDED FOR SINGLE LTH OR RTH SIDE DISCHARGE. (NOT NEEDED FOR DUAL)

FLAT CONVEYOR FINAL ASSEMBLY COMPONENTS 5000 SERIES - CONVEYOR BOOT			
MODEL	PART NUMBER	DESCRIPTION	QTY
RTH OR LTH FLATS	AAA-006-00943	CONVEYOR BOOT	1

FLAT CONVEYOR FINAL ASSEMBLY COMPONENTS 5000 SERIES - CONVEYOR SHIELD			
MODEL	PART NUMBER	DESCRIPTION	QTY
RTH OR LTH FLATS	AAB-006-00072	CNVR DRUM SHIELD 6FT END HDPE BLACK	1

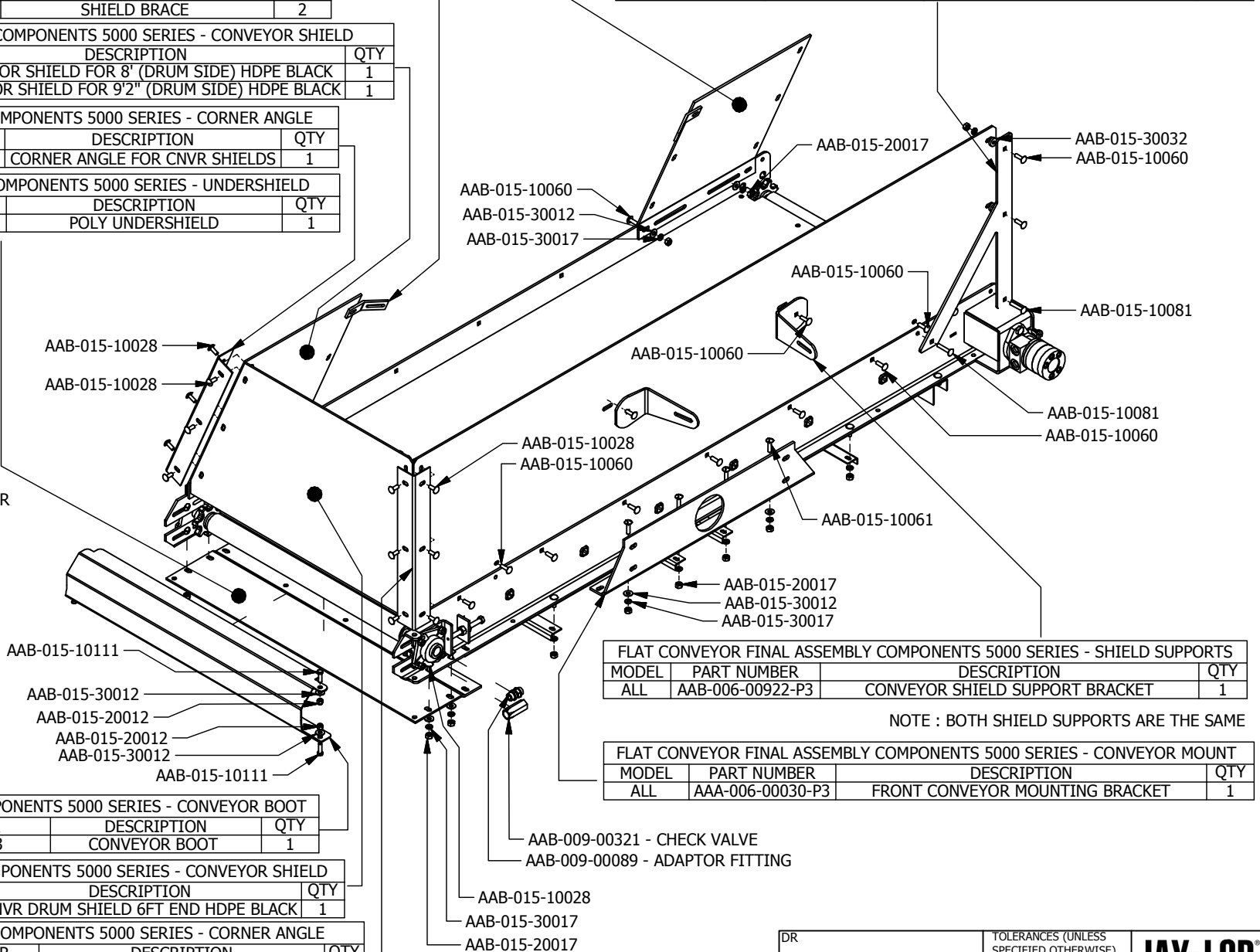
FLAT CONVEYOR FINAL ASSEMBLY COMPONENTS 5000 SERIES - CORNER ANGLE			
MODEL	PART NUMBER	DESCRIPTION	QTY
RTH OR LTH FLATS	AAA-006-00054	CORNER ANGLE FOR CNVR SHIELDS	1

UNITS	PAPER A	SHEET 1 OF 2	R#	DATE	DESCRIPTION	DR	CK
-------	---------	--------------	----	------	-------------	----	----

TITLE FLAT CONVEYOR FINAL ASSEMBLY COMPONENTS 5000 SERIES MIXERS

FLAT CONVEYOR FINAL ASSEMBLY 5000 SERIES - ASSEMBLY PART NUMBERS			
MODEL	PART NUMBER	DESCRIPTION	QTY
8' FLAT	AAA-006-01025	8' FLAT CONVEYOR ASSEMBLY	1
9'2" FLAT	AAA-006-00983	9'2" FLAT CONVEYOR ASSEMBLY	1

FLAT CONVEYOR FINAL ASSEMBLY COMPONENTS 5000 SERIES - SHIELD STIFFENER			
MODEL	PART NUMBER	DESCRIPTION	QTY
ALL	AAA-006-00953	CONVEYOR SHIELD STIFFENER	1



FLAT CONVEYOR FINAL ASSEMBLY COMPONENTS 5000 SERIES - SHIELD SUPPORTS			
MODEL	PART NUMBER	DESCRIPTION	QTY
ALL	AAB-006-00922-P3	CONVEYOR SHIELD SUPPORT BRACKET	1

NOTE : BOTH SHIELD SUPPORTS ARE THE SAME

FLAT CONVEYOR FINAL ASSEMBLY COMPONENTS 5000 SERIES - CONVEYOR MOUNT			
MODEL	PART NUMBER	DESCRIPTION	QTY
ALL	AAA-006-00030-P3	FRONT CONVEYOR MOUNTING BRACKET	1

AAB-009-00321 - CHECK VALVE
AAB-009-00089 - ADAPTOR FITTING

AAB-015-10028
AAB-015-30017
AAB-015-20017

DR	TOLERANCES (UNLESS SPECIFIED OTHERWISE)	JAY-LOR Fabricating Inc
DAT 1/20/2015	FRACTIONAL ± 1/16"	
MAT	DEC X.X ± 0.1"	
	DEC X.XX ± 0.06"	
	DEC X.XXX ± 0.031"	
	ANGULAR ± 0.5°	

FILE NO AAA-054-00228.idw

CONFIDENTIAL: THESE DRAWINGS AND COPIES THEREOF REMAIN THE PROPERTY OF JAY-LOR FABRICATING INC. ANY PERSON FOUND UNLAWFULLY USING, DISTRIBUTING, OR IN POSSESSION OF THE ABOVE WILL BE PROSECUTED

FLAT CONVEYOR FINAL ASSEMBLY COMPONENTS 5000 SERIES - CONVEYOR SHIELD			
MODEL	PART NUMBER	DESCRIPTION	QTY
8' FLAT	AAB-006-00079	CNVR SHIELD 8FT FRT HDPE BLACK	1
9'2" FLAT	AAB-006-00076	CNVR SHIELD 9FT 2IN FRT HDPE BLACK	1

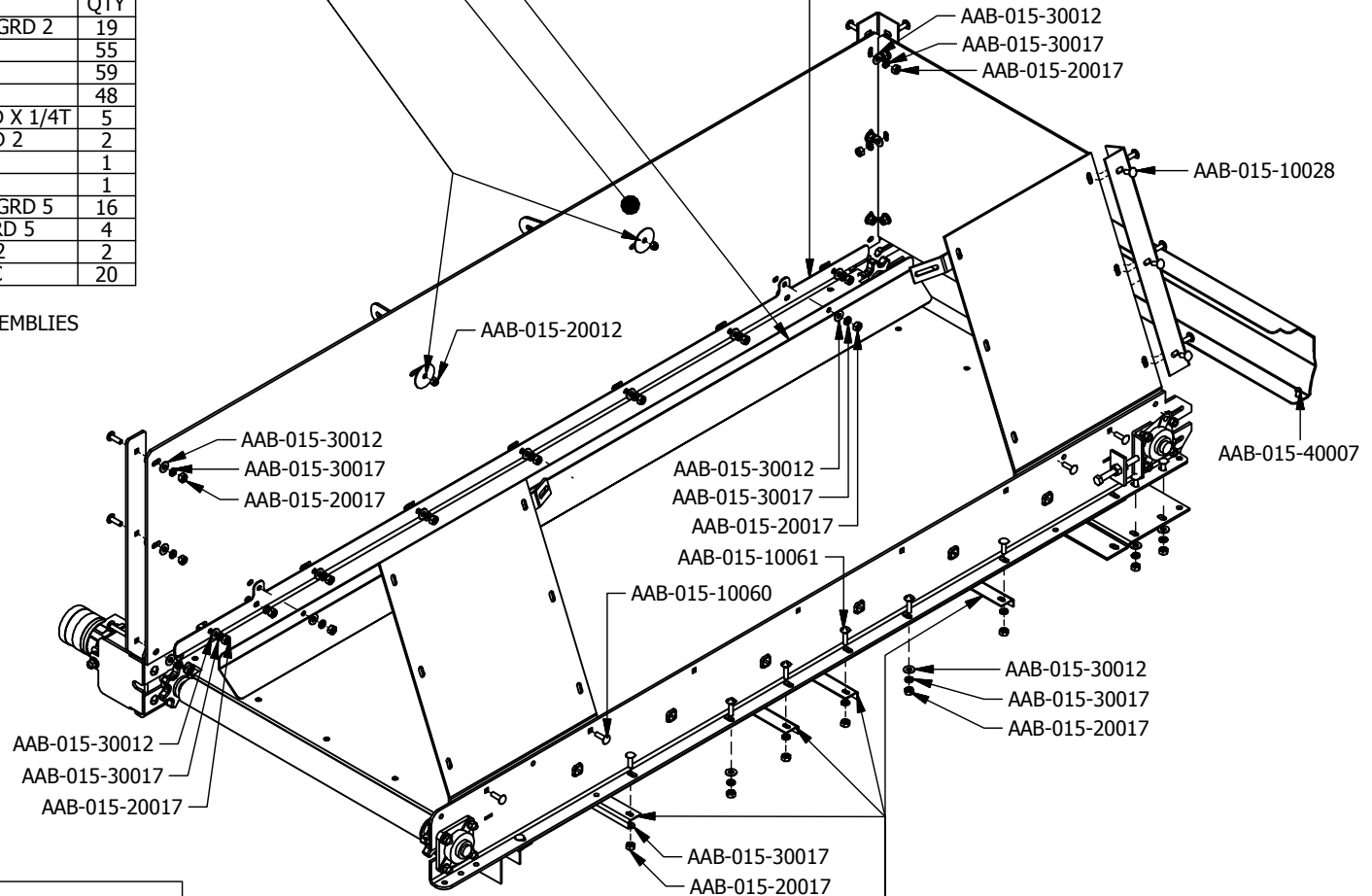
FLAT CONVEYOR FINAL ASSEMBLY COMPONENTS 5000 SERIES - SHIELD WASHER			
MODEL	PART NUMBER	DESCRIPTION	QTY
ALL	AAB-015-30042	CONVEYOR SHIELD WASHER	2

8' FLAT ASSEMBLY HARDWARE			
MODEL	PART NUMBER	DESCRIPTION	QTY
8' FLAT	AAB-015-10060	CARRIAGE BOLT 3/8 X 1-1/4 UNC GRD 2	19
8' FLAT	AAB-015-30017	LOCK WASHER 3/8	55
8' FLAT	AAB-015-20017	HEX NUT 3/8 UNC GRD 2	59
8' FLAT	AAB-015-30012	FLAT WASHER 3/8 USS	48
8' FLAT	AAB-015-30032	WASHER BLACK NYLON 3/8ID X 1OD X 1/4T	5
8' FLAT	AAB-015-20012	HEX NUT 3/8 LOCK NYLON GRD 2	2
8' FLAT	AAB-015-40007	PIN 3/8 X 7/8 PLT	1
8' FLAT	AAB-015-40005	PIN CLIP 1/16 X 1-5/8	1
8' FLAT	AAB-015-10061	CARRIAGE BOLT 3/8 X 1-1/2 UNC GRD 5	16
8' FLAT	AAB-015-10081	CARRIAGE BOLT 3/8 X 2 UNC GRD 5	4
8' FLAT	AAB-015-10056	HEX BOLT 3/8 X 1 UNC GRD 2	2
8' FLAT	AAB-015-10028	CARRIAGE BOLT 3/8 X 1 UNC	20

NOTE : SOME HARDWARE USED ON 9'2" FLAT CONVEYOR ASSEMBLIES MAY NOT MATCH WHAT IS SHOWN IN DRAWING

FLAT CONVEYOR FINAL ASSEMBLY COMPONENTS 5000 SERIES - CHAIN COVER / GUARD			
MODEL	PART NUMBER	DESCRIPTION	QTY
8' FLAT	AAA-006-01047	CONVEYOR 8FT FLAT CHAIN COVER	1
9'2" FLAT	AAA-006-01049	CONVEYOR 9FT 2IN FLAT CHAIN COVER	1

FLAT CONVEYOR FINAL ASSEMBLY COMPONENTS 5000 SERIES - CHAIN COVER			
MODEL	PART NUMBER	DESCRIPTION	QTY
8' FLAT	AAA-006-01030	CONVEYOR 8FT FLAT CHAIN COVER BRACKET	1
9'2" FLAT	AAA-006-00980	CONVEYOR 9FT 2IN FLAT CHAIN COVER BRACKET	1



9'2" FLAT ASSEMBLY HARDWARE			
MODEL	PART NUMBER	DESCRIPTION	QTY
9'2" FLAT	AAB-015-10060	CARRIAGE BOLT 3/8 X 1-1/4 UNC GRD 2	20
9'2" FLAT	AAB-015-30017	LOCK WASHER 3/8	42
9'2" FLAT	AAB-015-20017	HEX NUT 3/8 UNC GRD 2	46
9'2" FLAT	AAB-015-30012	FLAT WASHER 3/8 USS	40
9'2" FLAT	AAB-015-30032	WASHER BLACK NYLON 3/8ID X 1OD X 1/4T	4
9'2" FLAT	AAB-015-20012	HEX NUT 3/8 LOCK NYLON GRD 2	4
9'2" FLAT	AAB-015-40007	PIN 3/8 X 7/8 PLT	1
9'2" FLAT	AAB-015-40005	PIN CLIP 1/16 X 1-5/8	1
9'2" FLAT	AAB-015-10061	CARRIAGE BOLT 3/8 X 1-1/2 UNC GRD 5	11
9'2" FLAT	AAB-015-10111	HEX BOLT 3/8 X 1-1/4 UNC GRD 5	2
9'2" FLAT	AAB-015-10028	BOLT CARRIAGE 3/8 X 1 UNC	17

FLAT CONVEYOR FINAL ASSEMBLY COMPONENTS 5000 SERIES - SUPPORT ANGLE			
MODEL	PART NUMBER	DESCRIPTION	QTY
ALL	AAA-006-00406	SUPPORT ANGLE FOR CNVR UNDERSIDE	4

UNITS PAPER A SHEET 2 OF 2 R# DATE DESCRIPTION

TITLE FLAT CONVEYOR FINAL ASSEMBLY COMPONENTS 5000 SERIES MIXERS

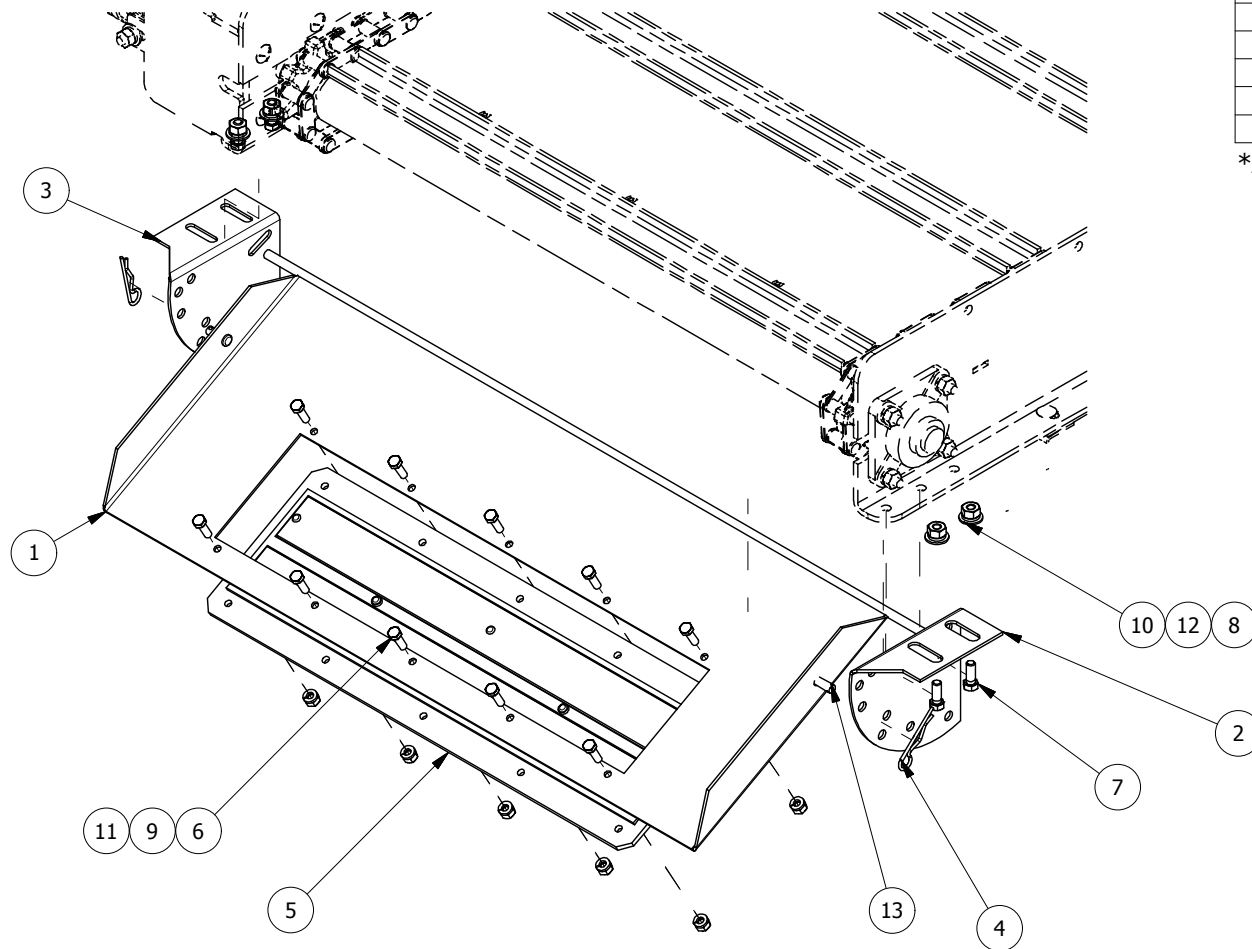
FILE NO AAA-054-00228.idw

DR	TOLERANCES (UNLESS SPECIFIED OTHERWISE)	JAY-LOR Fabricating Inc
DAT 1/20/2015	FRACTIONAL ± 1/16"	
MAT	DEC X.X ± 0.1"	
	DEC X.XXX ± 0.06"	
	DEC X.XXX ± 0.031"	
	ANGULAR ± 0.5°	
CONFIDENTIAL: THESE DRAWINGS AND COPIES THEREOF REMAIN THE PROPERTY OF JAY-LOR FABRICATING INC. ANY PERSON FOUND UNLAWFULLY USING, DISTRIBUTING, OR IN POSSESSION OF THE ABOVE WILL BE PROSECUTED		

Parts List

ITEM	PART NUMBER	TITLE	QTY
1	AAA-006-00015	CHUTE WELDMNT	1
2	AAA-006-00224	MAGNET CHUTE MNT LTH	1
3	AAA-006-00225	MAGNET CHUTE MNT RTH	1
4	AAB-001-00019	PIN HTCH CLIP 1/8 X 2-9/16	2
5	AAB-006-00035	MAGNET PLATE 25 X 8 X 1	1
6	AAB-015-10036	BOLT HEX 5/16 X 1 UNC GRD 5	10
7	AAB-015-10056	BOLT HEX 3/8 X 1 UNC GRD 2	4
8	AAB-015-20017	NUT HEX 3/8 UNC GRD 2	4
9	AAB-015-20020	NUT HEX 5/16 UNC GRD 2	10
10	AAB-015-30012	WSHR FLAT 3/8 USS	4
11	AAB-015-30016	WSHR LOCK 5/16	10
12	AAB-015-30017	WSHR LOCK 3/8	4
13	AAB-015-40007	PIN 3/8 X 7/8 PLT	2

*All parts available as a kit, part #AAA-006-00545



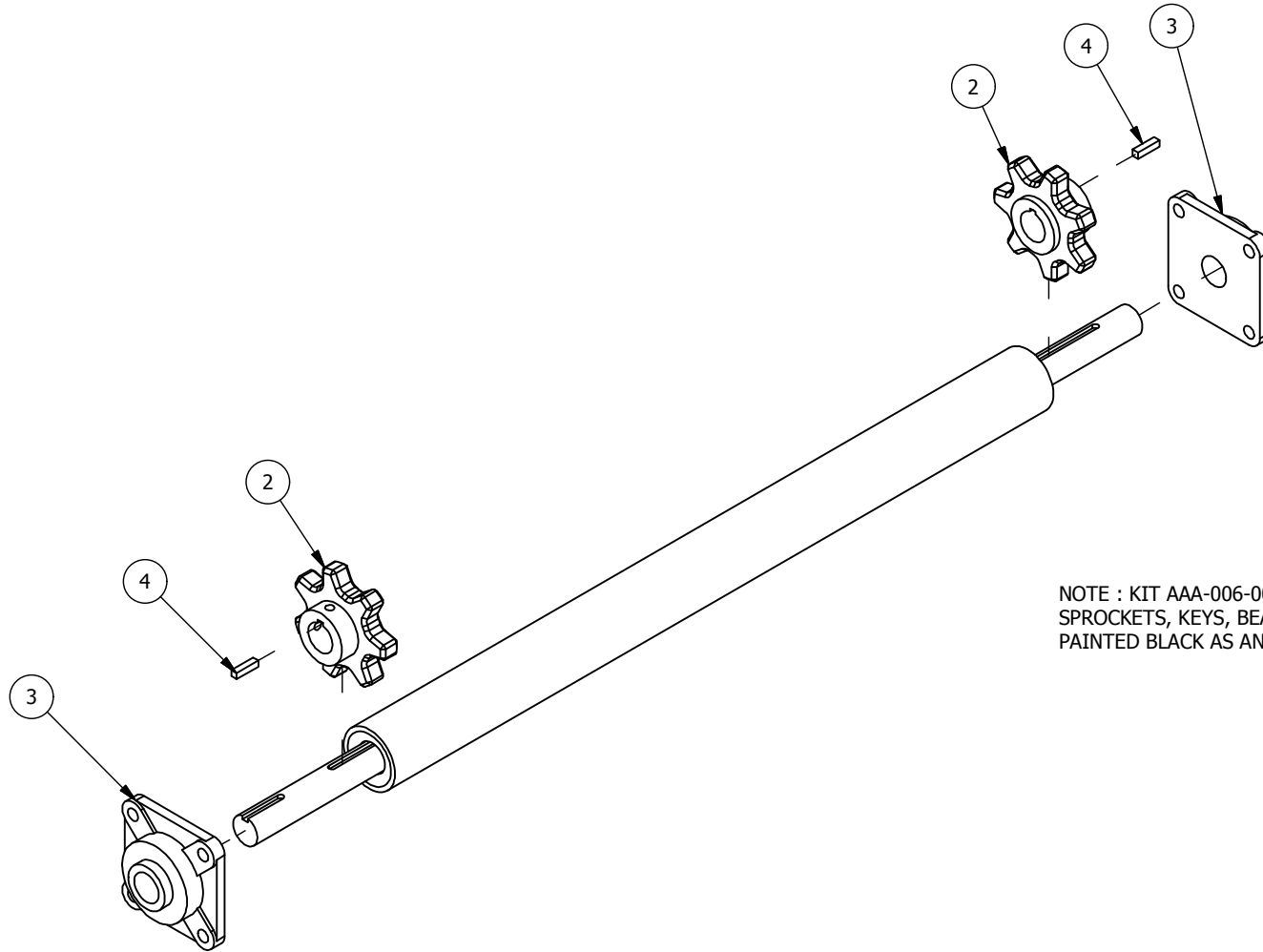
DR	JET	TOLERANCES (UNLESS SPECIFIED OTHERWISE) FRACTIONAL ± 1/16" DEC X.X ± 0.1" DEC X.XX ± 0.06" DEC X.XXX ± 0.031" ANGULAR ± 0.5°	
DAT	1/19/2015		
MAT			

UNITS	PAPER A	SHEET 1 OF 1	R#	DATE	DESCRIPTION	DR	CK
TITLE					KIT MAGNET CHUTE	FILE NO	AAA-054-00231.idw

CONFIDENTIAL: THESE DRAWINGS AND COPIES THEREOF REMAIN THE PROPERTY OF JAY-LOR FABRICATING INC. ANY PERSON FOUND UNLAWFULLY USING, DISTRIBUTING, OR IN POSSESSION OF THE ABOVE WILL BE PROSECUTED

Parts List			
ITEM	PART NUMBER	TITLE	QTY
2	AAB-006-00013	CAST SPROCKET KEYED	2
3	AAB-006-00009	FLNG BRNG 1-1/8 ID	2
4	AAB-006-00030	SHEAR KEY 1/4 X 1	2

*AVAILABLE AS KIT PART #AAA-006-00617-P3



NOTE : KIT AAA-006-00617-P3 INCLUDES BOTH SPROCKETS, KEYS, BEARINGS AND SHAFT PAINTED BLACK AS AN ASSEMBLY

DR	LMV	TOLERANCES (UNLESS SPECIFIED OTHERWISE) FRACTIONAL ± 1/16" DEC X.X ± 0.1" DEC X.XX ± 0.06" DEC X.XXX ± 0.031" ANGULAR ± 0.5°	JAY•LOR Fabricating Inc
DAT	1/19/2015		
MAT			

UNITS	PAPER A	SHEET 1 OF 1	R#	DATE	DESCRIPTION	DR	CK
-------	---------	--------------	----	------	-------------	----	----

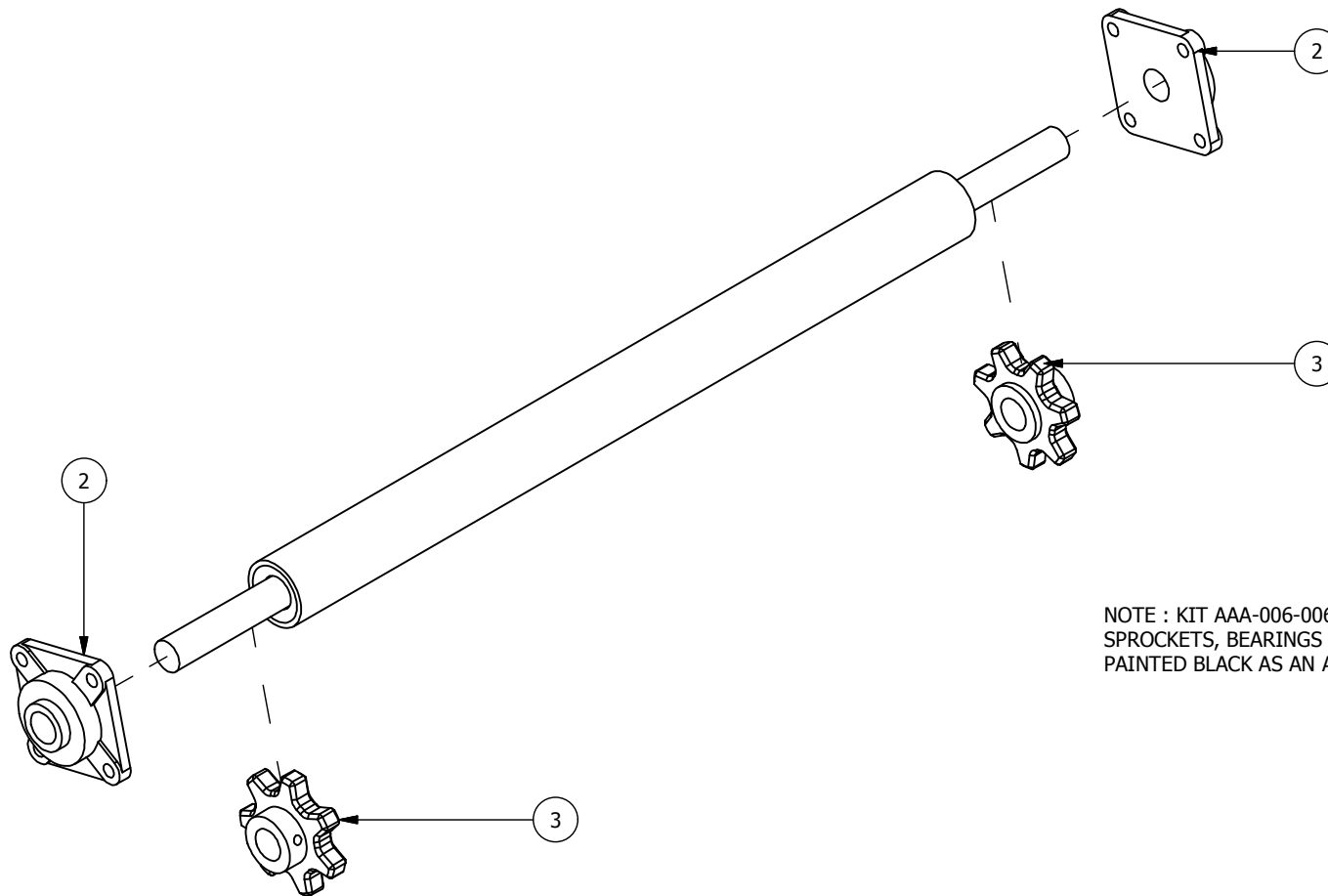
TITLE CNVR DRIVESHAFT ASSY

FILE NO AAA-054-00232.idw

CONFIDENTIAL: THESE DRAWINGS AND COPIES THEREOF REMAIN THE PROPERTY OF JAY-LOR FABRICATING INC. ANY PERSON FOUND UNLAWFULLY USING, DISTRIBUTING, OR IN POSSESSION OF THE ABOVE WILL BE PROSECUTED

Parts List			
ITEM	PART NUMBER	TITLE	QTY
2	AAB-006-00009	FLNG BRNG 1-1/8 ID	2
3	AAB-006-00011	CAST SPROCKET WITH SET SCRW FOR IDLER	2

*AVAILABLE AS KIT PART # AAA-006-00618-P3

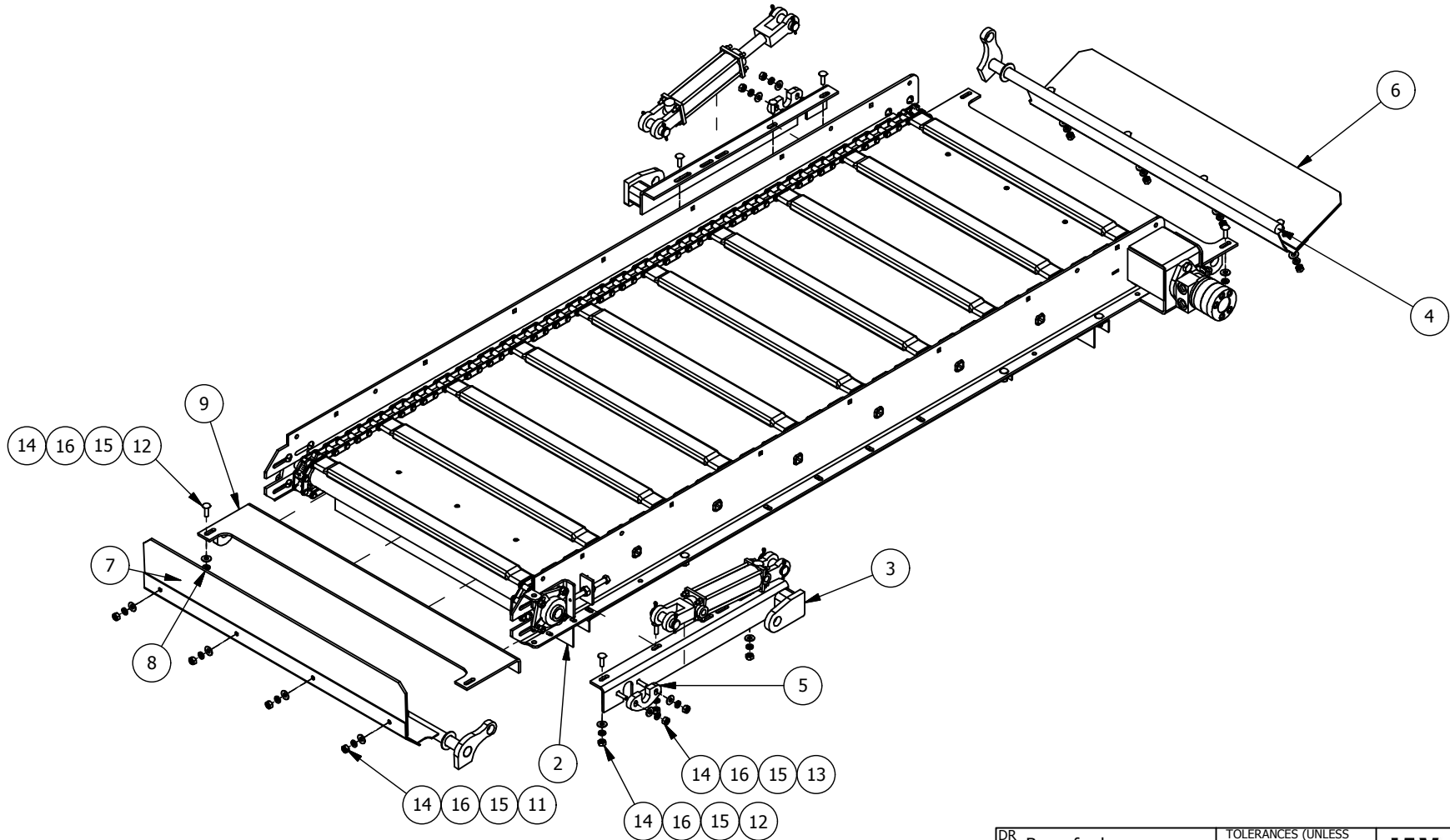


NOTE : KIT AAA-006-00618-P3 INCLUDES BOTH SPROCKETS, BEARINGS AND SHAFT PAINTED BLACK AS AN ASSEMBLY

UNITS	PAPER A	SHEET 1 OF 1	R#	DATE	DESCRIPTION	DR	CK	MAT	TOLERANCES (UNLESS SPECIFIED OTHERWISE) FRACTIONAL ± 1/16" DEC X.X ± 0.1" DEC X.XX ± 0.06" DEC X.XXX ± 0.031" ANGULAR ± 0.5°	JAY•LOR® Fabricating Inc	
TITLE CNVR IDLER SHAFT ASSY						FILE NO AAA-054-00233.idw		CONFIDENTIAL: THESE DRAWINGS AND COPIES THEREOF REMAIN THE PROPERTY OF JAY-LOR FABRICATING INC. ANY PERSON FOUND UNLAWFULLY USING, DISTRIBUTING, OR IN POSSESSION OF THE ABOVE WILL BE PROSECUTED			

Parts List				Parts List				Parts List			
ITE	PART NUMBER	TITLE	QTY	ITE	PART NUMBER	TITLE	QTY	ITE	PART NUMBER	TITLE	QTY
1	AAA-006-00408	SUPT ANGLE AND RUBR SHIELD MNT FOR FLAT CNVR 1/8T	1	6	AAA-006-00503	DROP BOOT END SHIELD HDPE 0.22T	1	11	AAB-015-10028	BOLT CARRIAGE 3/8 X 1 UNC	12
2	AAA-006-00410	RUBR FLAP FOR UNDERSIDE OF CNVR	1	7	AAA-006-01054	DROP BOOT WELDMNT IDLER SHAFT SIDE 5000 SERIES	1	12	AAB-015-10060	BOLT CARRIAGE 3/8 X 1-1/4 UNC GRD 2	12
3	AAA-006-00485	DROP BOOT LOWER CYDR MNT WELDMNT	2	8	AAA-006-01055	DROP BOOT END SHIELD HDPE 0.22T	1	13	AAB-015-10061	BOLT CARRIAGE 3/8 X 1-1/2 UNC GRD 5	4
4	AAA-006-00487	DROP BOOT WELDMNT	1	9	AAA-006-01057	DROP BOOT LOWER SHIELD WELDMNT 5000 SERIES	2	14	AAB-015-20017	NUT HEX 3/8 UNC GRD 2	28
5	AAA-006-00500	DROP BOOT LOCK PLT 5/8T	2	10	AAA-009-00161	KIT FIT AND HOSE DUAL CNVR DROP BOOT	1	15	AAB-015-30012	WSHR FLAT 3/8 USS	28
								16	AAB-015-30017	WSHR LOCK 3/8	28

*Available as a kit, part #AAA-006-01058



DR Bcrawford	TOLERANCES (UNLESS SPECIFIED OTHERWISE)	JAY•LOR Fabricating Inc
DAT 1/19/2015	FRACTIONAL ± 1/16"	
MAT	DEC X.X ± 0.1"	
	DEC X.XXX ± 0.06"	
	DEC X.XXX ± 0.031"	
	ANGULAR ± 0.5°	

UNITS	PAPER A	SHEET 1 OF 1	R#	DATE	DESCRIPTION	DR	CK
TITLE DUAL CNVR DROP BOOT ASSY 5000 SERIES						FILE NO	AAA-054-00234.idw

CONFIDENTIAL: THESE DRAWINGS AND COPIES THEREOF REMAIN THE PROPERTY OF JAY-LOR FABRICATING INC. ANY PERSON FOUND UNLAWFULLY USING, DISTRIBUTING, OR IN POSSESSION OF THE ABOVE WILL BE PROSECUTED

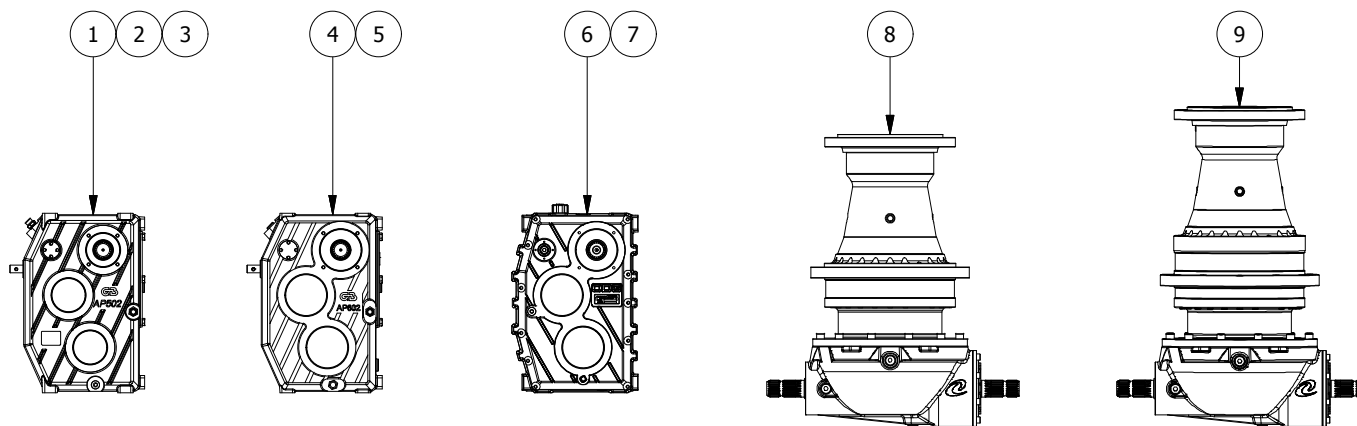
L. 007 – DRIVELINE / GEARBOX PARTS**Drawing Number Reference Chart:**

Part	Model			
	5600	5650	5750	5850
Gearbox Reference Chart	AAA-054-00240			
2-Speed Gearbox AP502 (1.8:1)(1:1)	AAA-007-00002			
2-Speed Gearbox AP502 (1.3:1)(1:1)	AAA-007-00004			
2-Speed Gearbox AP502 (1.8:1)(2.7:1)	AAA-007-00005			
2-Speed Gearbox AP602 (1.8:1)(1:1)	AAA-007-00693			
2-Speed Gearbox ODG (1.3:1 & 1.8:1)	AAA-054-00478			
Standard Driveline	AAA-054-00148			
Driveline with 2-Speed	AAA-054-00149			
2-Speed Remote Shifter	AAA-054-00180			
Lower Planetary Kit (1603)	AAA-054-00181			
Input / Output Seals (1602-1603)	AAA-054-00182			
Upper Planetary Kit (1602-1603)	AAA-054-00183			
Gearbox PTO	AAA-054-00194			
Standard PTOs	AAA-054-00191			
	AAA-054-00193			
	AAA-054-00195			
	AAA-054-00196			
CV PTOs	AAA-054-00336			
	AAA-054-00337			
	AAA-054-00338			
Bearing and Seal Kit (1602-1603)	AAA-054-00197			

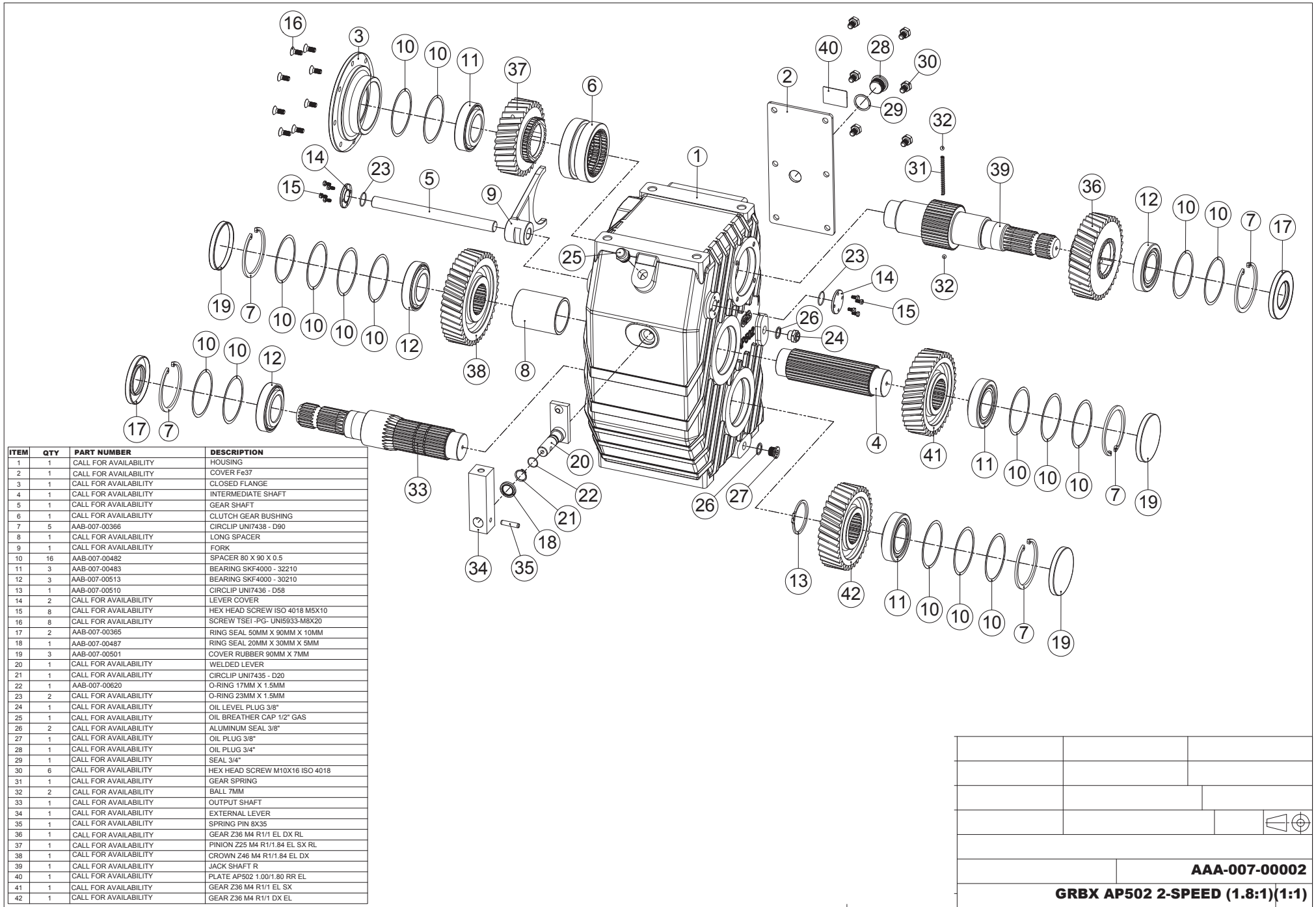
Parts List

ITEM	PART NUMBER	TITLE	QTY
1	AAA-007-00734-P3	GRBX 2 SPD 1.8:2.7 AP502	1
2	AAA-007-00735-P3	GRBX 2 SPD 1.8:1 AP502	1
3	AAA-007-00736-P3	GRBX 2 SPD 1.3:1 AP502	1
4	AAA-007-00832-P3	GRBX 2 SPD 1.3:1 AP602	1
5	AAA-007-00833-P3	GRBX 2 SPD 1.8:1 AP602	1
6	AAA-007-00916-P3	GRBX 2 SPD 1.3:1 ODG	1
7	AAA-007-00917-P3	GRBX 2 SPD 1.8:1 ODG	1
8	AAB-007-00671	GRBX PGA 1602/ 13.4:1/ 1-3/4 Z20/ TOP BREATHER	1
9	AAB-007-00677	GRBX PGA 1603B/ 25.89:1/ 1-3/4 Z20/ TOP BREATHER	1

GEARBOX MODELS

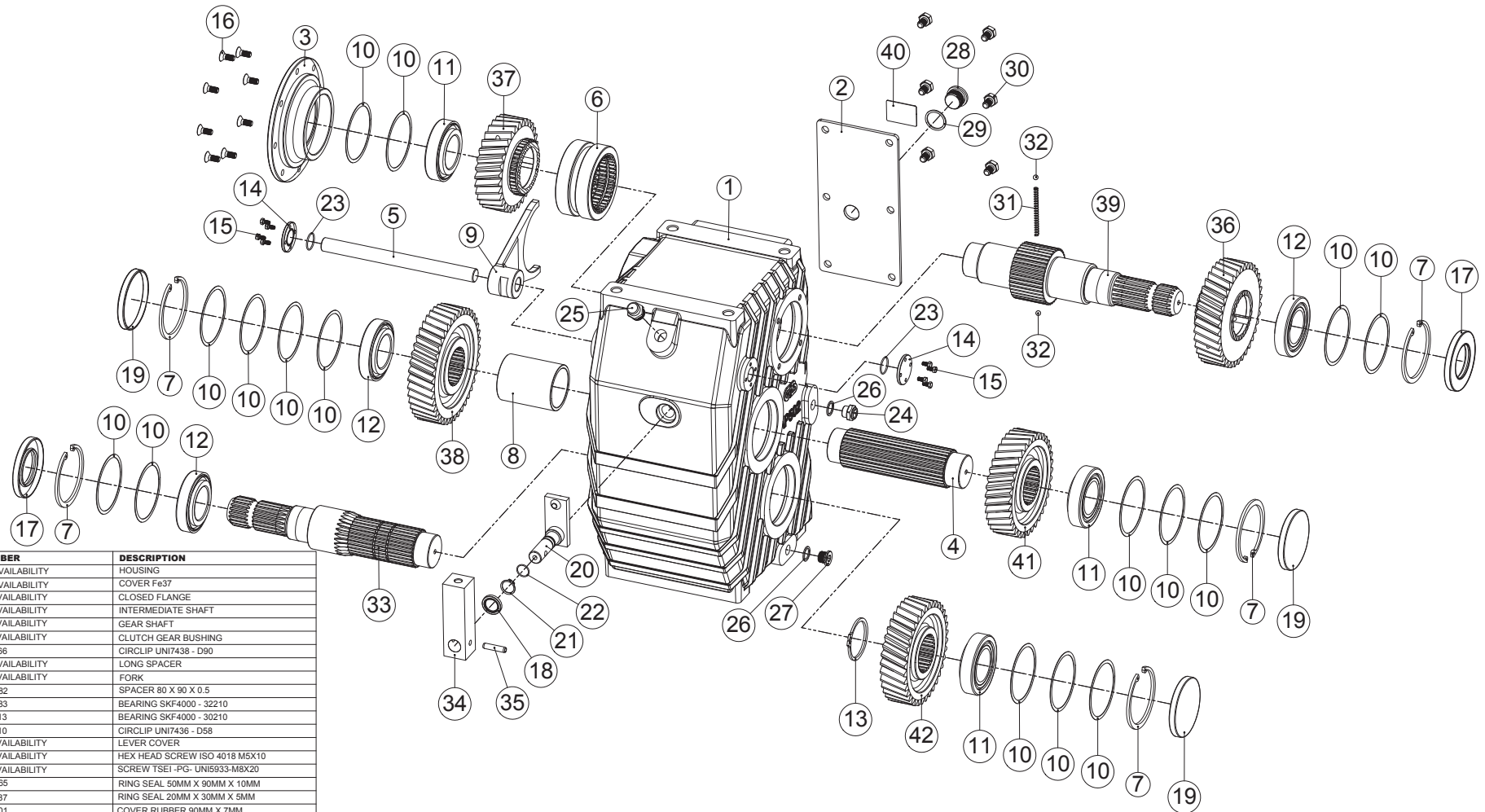


DRWN : CDiRamio	TOLERANCES (UNLESS SPECIFIED OTHERWISE)	JAY•LOR Fabricating Inc						
DATE : 6/27/2016	FRACTIONAL ± 1/16" DEC X.X ± 0.1" DEC X.XX ± 0.06" DEC X.XXX ± 0.031" ANGULAR ± 0.5°							
VIEW REP :	SHEET 1 OF 1	R#	DATE	DESCRIPTION	DR	CK	MAT :	CONFIDENTIAL: THESE DRAWINGS AND COPIES THEREOF REMAIN THE PROPERTY OF JAY-LOR FABRICATING INC. ANY PERSON FOUND UNLAWFULLY USING, DISTRIBUTING, OR IN POSSESSION OF THE ABOVE WILL BE PROSECUTED



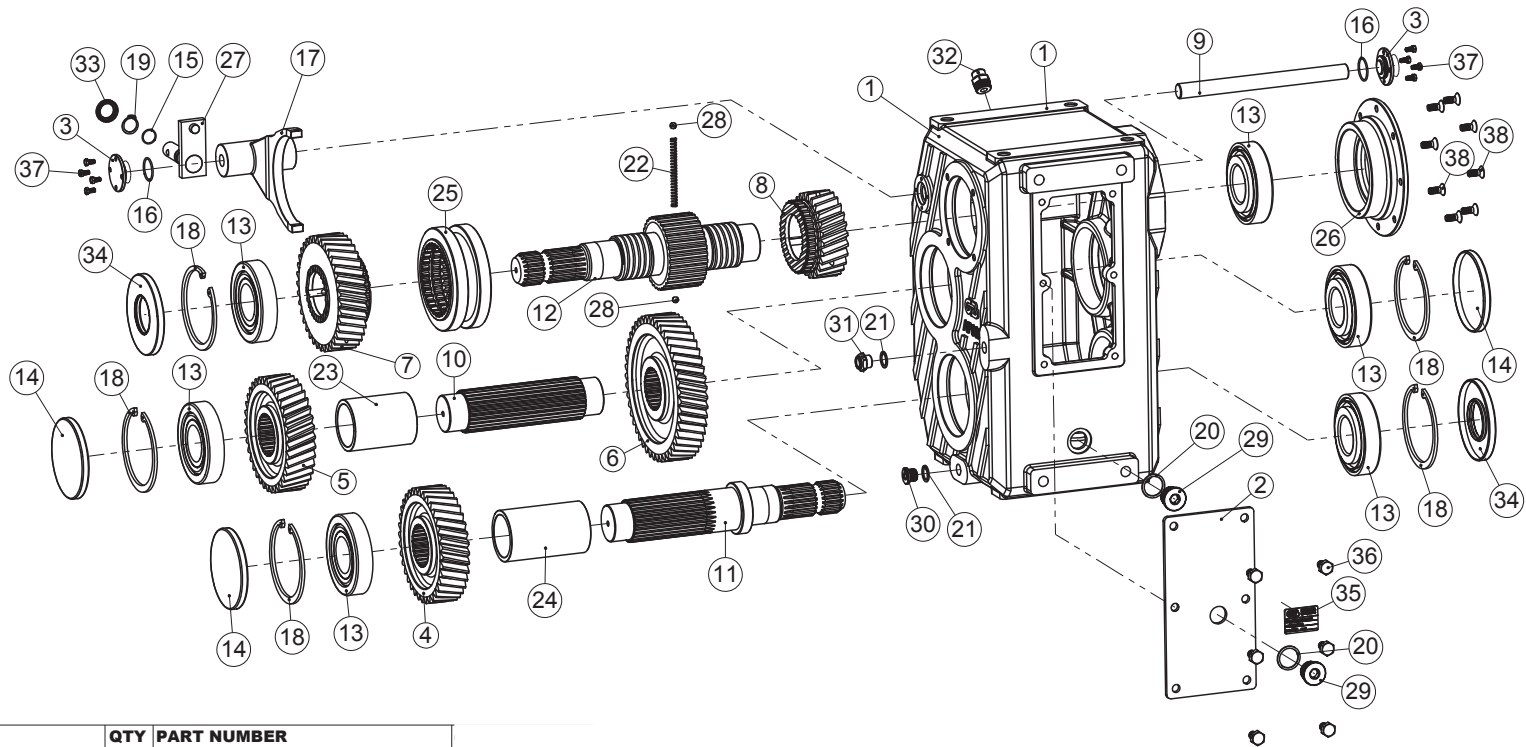
ITEM	QTY	PART NUMBER	DESCRIPTION
1	1	CALL FOR AVAILABILITY	HOUSING
2	1	CALL FOR AVAILABILITY	COVER Fe37
3	1	CALL FOR AVAILABILITY	CLOSED FLANGE
4	1	CALL FOR AVAILABILITY	INTERMEDIATE SHAFT
5	1	CALL FOR AVAILABILITY	GEAR SHAFT
6	1	CALL FOR AVAILABILITY	CLUTCH GEAR BUSHING
7	5	AAB-007-00366	CIRCLIP UNI7438 - D90
8	1	CALL FOR AVAILABILITY	LONG SPACER
9	1	CALL FOR AVAILABILITY	FORK
10	16	AAB-007-00482	SPACER 80 X 90 X 0.5
11	3	AAB-007-00483	BEARING SKF4000 - 32210
12	3	AAB-007-00513	BEARING SKF4000 - 30210
13	1	AAB-007-00510	CIRCLIP UNI7436 - D58
14	2	CALL FOR AVAILABILITY	LEVER COVER
15	8	CALL FOR AVAILABILITY	HEX HEAD SCREW ISO 4018 M5X10
16	8	CALL FOR AVAILABILITY	SCREW TSEI -PG- UNI8933-M8X20
17	2	AAB-007-00365	RING SEAL 50MM X 90MM X 10MM
18	1	AAB-007-00487	RING SEAL 20MM X 30MM X 6MM
19	3	AAB-007-00501	COVER RUBBER 90MM X 7MM
20	1	CALL FOR AVAILABILITY	WELDED LEVER
21	1	CALL FOR AVAILABILITY	CIRCLIP UNI7435 - D20
22	1	AAB-007-00620	O-RING 17MM X 1.5MM
23	2	CALL FOR AVAILABILITY	O-RING 23MM X 1.5MM
24	1	CALL FOR AVAILABILITY	OIL LEVEL PLUG 3/8"
25	1	CALL FOR AVAILABILITY	OIL BREATHER CAP 1/2" GAS
26	2	CALL FOR AVAILABILITY	ALUMINUM SEAL 3/8"
27	1	CALL FOR AVAILABILITY	OIL PLUG 3/8"
28	1	CALL FOR AVAILABILITY	OIL PLUG 3/4"
29	1	CALL FOR AVAILABILITY	SEAL 3/4"
30	6	CALL FOR AVAILABILITY	HEX HEAD SCREW M10X16 ISO 4018
31	1	CALL FOR AVAILABILITY	GEAR SPRING
32	2	CALL FOR AVAILABILITY	BALL 7MM
33	1	CALL FOR AVAILABILITY	OUTPUT SHAFT
34	1	CALL FOR AVAILABILITY	EXTERNAL LEVER
35	1	CALL FOR AVAILABILITY	SPRING PIN 8X35
36	1	CALL FOR AVAILABILITY	GEAR Z36 M4 R1/1 EL DX RL
37	1	CALL FOR AVAILABILITY	PINION Z25 M4 R1/1.84 EL SX RL
38	1	CALL FOR AVAILABILITY	CROWN Z46 M4 R1/1.84 EL DX
39	1	CALL FOR AVAILABILITY	JACK SHAFT R
40	1	CALL FOR AVAILABILITY	PLATE AP502 1.00/1.80 RR EL
41	1	CALL FOR AVAILABILITY	GEAR Z36 M4 R1/1 EL SX
42	1	CALL FOR AVAILABILITY	GEAR Z36 M4 R1/1 DX EL

AAA-007-00002			
GRBX AP502 2-SPEED (1.8:1)(1:1)			



ITEM	QTY	PART NUMBER	DESCRIPTION
1	1	CALL FOR AVAILABILITY	HOUSING
2	1	CALL FOR AVAILABILITY	COVER Fe37
3	1	CALL FOR AVAILABILITY	CLOSED FLANGE
4	1	CALL FOR AVAILABILITY	INTERMEDIATE SHAFT
5	1	CALL FOR AVAILABILITY	GEAR SHAFT
6	1	CALL FOR AVAILABILITY	CLUTCH GEAR BUSHING
7	5	AAB-007-00366	CIRCLIP UNI7438 - D90
8	1	CALL FOR AVAILABILITY	LONG SPACER
9	1	CALL FOR AVAILABILITY	FORK
10	16	AAB-007-00482	SPACER 80 X 90 X 0.5
11	3	AAB-007-00483	BEARING SKF4000 - 32210
12	3	AAB-007-00513	BEARING SKF4000 - 30210
13	1	AAB-007-00510	CIRCLIP UNI7436 - D58
14	2	CALL FOR AVAILABILITY	LEVER COVER
15	8	CALL FOR AVAILABILITY	HEX HEAD SCREW ISO 4018 M5X10
16	8	CALL FOR AVAILABILITY	SCREW TSEI -PG- UNI5933-M8X20
17	2	AAB-007-00365	RING SEAL 50MM X 90MM X 10MM
18	1	AAB-007-00487	RING SEAL 20MM X 30MM X 6MM
19	3	AAB-007-00501	COVER RUBBER 90MM X 7MM
20	1	CALL FOR AVAILABILITY	WELDED LEVER
21	1	CALL FOR AVAILABILITY	CIRCLIP UNI7435 - D20
22	1	AAB-007-00620	O-RING 17MM X 1.5MM
23	2	CALL FOR AVAILABILITY	O-RING 23MM X 1.5MM
24	1	CALL FOR AVAILABILITY	OIL LEVEL PLUG 3/8"
25	1	CALL FOR AVAILABILITY	OIL BREATHER CAP 1/2" GAS
26	2	CALL FOR AVAILABILITY	ALUMINUM SEAL 3/8"
27	1	CALL FOR AVAILABILITY	OIL PLUG 3/8"
28	1	CALL FOR AVAILABILITY	OIL PLUG 3/4"
29	1	CALL FOR AVAILABILITY	SEAL 3/4"
30	6	CALL FOR AVAILABILITY	HEX HEAD SCREW M10X16 ISO 4018
31	1	CALL FOR AVAILABILITY	GEAR SPRING
32	2	CALL FOR AVAILABILITY	BALL 7MM
33	1	CALL FOR AVAILABILITY	OUTPUT SHAFT
34	1	CALL FOR AVAILABILITY	EXTERNAL LEVER
35	1	CALL FOR AVAILABILITY	SPRING PIN 8X35
36	1	CALL FOR AVAILABILITY	GEAR Z34 M4 R1/1.17
37	1	CALL FOR AVAILABILITY	PINION Z25 M4 R1/1.84 EL SX RL
38	1	CALL FOR AVAILABILITY	CROWN Z46 M4 R1/1.84 EL DX
39	1	CALL FOR AVAILABILITY	JACK SHAFT R
40	1	CALL FOR AVAILABILITY	PLATE AP502 1.80/2.70 RR EL
41	1	CALL FOR AVAILABILITY	GEAR Z29 M4 R1/1.51 EL SX
42	1	CALL FOR AVAILABILITY	GEAR Z44 M4 R1/1.51 EL DX

			AAA-007-00005
GRBX AP502 2-SPEED (1.8:1)(2.7:1)			

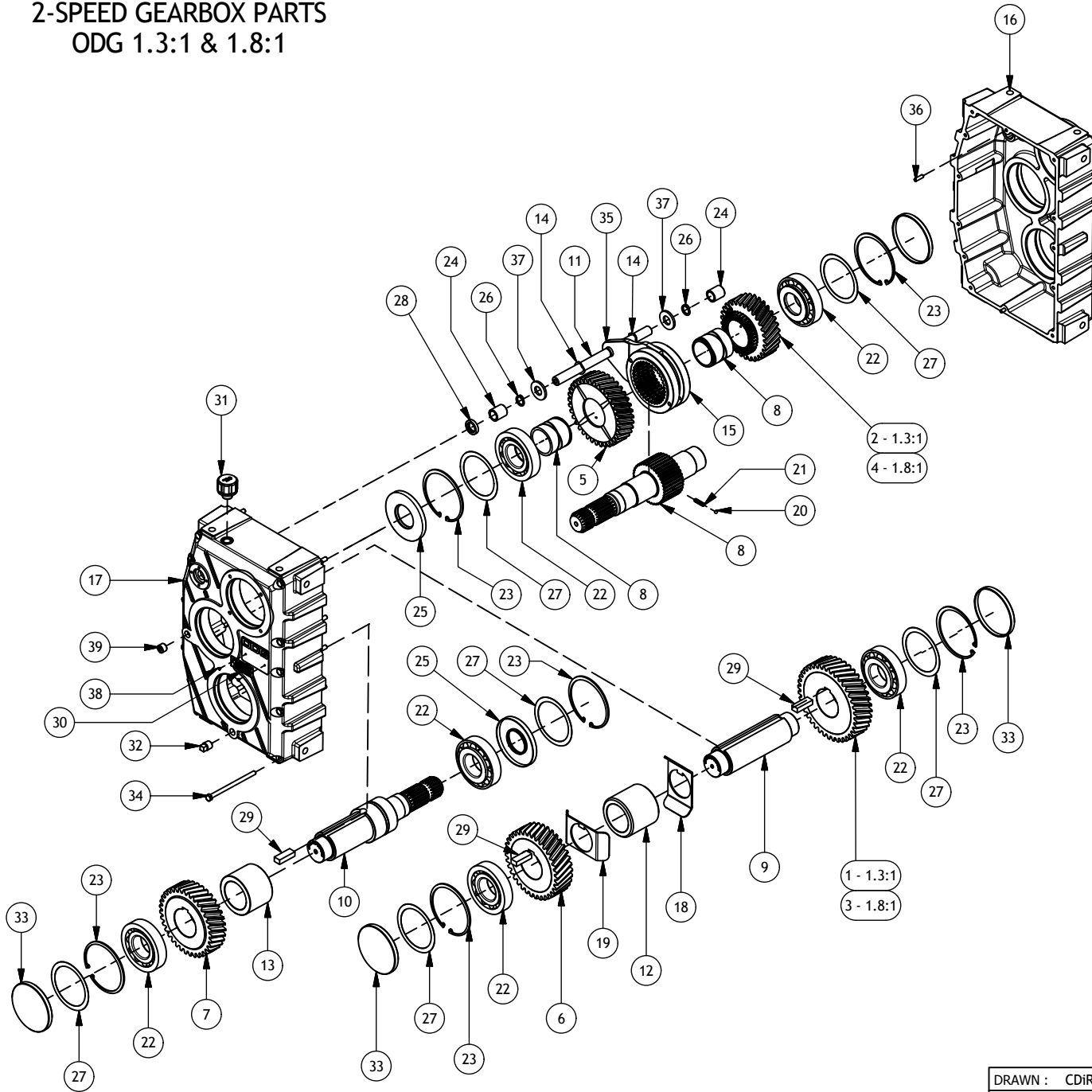


ITEM	DESCRIPTION	QTY	PART NUMBER
1	HOUSING	1	CALL FOR AVAILABILITY
2	COVER Fe37	1	CALL FOR AVAILABILITY
3	CLOSED FLANGE AP602	2	CALL FOR AVAILABILITY
4	GEAR Z36 M4 R1/1 EL DX	1	CALL FOR AVAILABILITY
5	GEAR Z36 M4 R1/1 EL SX	1	CALL FOR AVAILABILITY
6	CROWN Z46 M4 R1/1.84 EL DX	1	CALL FOR AVAILABILITY
7	GEAR RL Z36 M4 R1/1 EL DX	1	CALL FOR AVAILABILITY
8	PINION RL Z25 M4 R1/1.84 EL SX	1	CALL FOR AVAILABILITY
9	GEAR SHAFT	1	CALL FOR AVAILABILITY
10	INTERMEDIATE SHAFT	1	CALL FOR AVAILABILITY
11	OUTPUT SHAFT	1	CALL FOR AVAILABILITY
12	INPUT SHAFT	1	CALL FOR AVAILABILITY
13	BRNG TAPERED ROLLER 30310	6	AAB-007-00464
14	COVER RUBBER 110MM X 10MM RCA	3	AAB-007-00775
15	O-RING 17MM X 1.5MM	1	AAB-007-00620
16	O-RING 28.3MM X 1.78MM	2	CALL FOR AVAILABILITY
17	FORK	1	CALL FOR AVAILABILITY
18	CIRCLIP INTERNAL 110MM UNI7437	5	AAB-007-00776
19	CIRCLIP EXTERNAL 20MM UNI7435	1	CALL FOR AVAILABILITY
20	COPPER GASKET 3/4"	2	CALL FOR AVAILABILITY

ITEM	DESCRIPTION	QTY	PART NUMBER
21	ALUMINUM GASKET 3/8"	2	CALL FOR AVAILABILITY
22	GEAR SPRING AP602	1	CALL FOR AVAILABILITY
23	SPACER L=90.5MM	1	CALL FOR AVAILABILITY
24	SPACER L=115.5MM	1	CALL FOR AVAILABILITY
25	CLUTCH GEAR BUSHING	1	CALL FOR AVAILABILITY
26	CLOSED FLANGE	1	CALL FOR AVAILABILITY
27	WELDED LEVER	1	CALL FOR AVAILABILITY
28	BALL 8MM	2	CALL FOR AVAILABILITY
29	OIL PLUG 3/4" DIN908	2	CALL FOR AVAILABILITY
30	OIL PLUG 3/8" DIN908	1	CALL FOR AVAILABILITY
31	OIL PLUG VISUAL 3/8" ALUMINUM	1	CALL FOR AVAILABILITY
32	OIL BREATHER PLUG 1/2"	1	CALL FOR AVAILABILITY
33	OIL SEAL 20MM X 30MM X 5MM	1	AAB-007-00487
34	OIL SEAL 50MM X 110MM X 10MM	2	AAB-007-00777
35	PLATE AP602 1.00/1.80 JR1EL	1	CALL FOR AVAILABILITY
36	HEX HEAD SCREW M10 X 16	6	CALL FOR AVAILABILITY
37	HEX HEAD SCREW M5 X 10	8	CALL FOR AVAILABILITY
38	SCREW TSEI -PG- UNI5933 M8 X20	8	CALL FOR AVAILABILITY

AAA-007-00693
GRBX AP602 2-SPEED (1.8:1)(1:1)

2-SPEED GEARBOX PARTS ODG 1.3:1 & 1.8:1



Parts List

ITEM	PART NUMBER	TITLE	QTY
1	AAB-007-01077	GEAR, 39T INTERMEDIATE	1
2	AAB-007-01078	GEAR, 30T INPUT	1
3	AAB-007-01079	GEAR, 45T INTERMEDIATE	1
4	AAB-007-01080	GEAR, 25T INPUT	1
5	AAB-007-01081	GEAR, 35T INPUT	1
6	AAB-007-01082	GEAR, 35T INTERMEDIATE	1
7	AAB-007-01083	GEAR, 35T OUTPUT	1
8	AAB-007-01084	SHAFT, INPUT	1
9	AAB-007-01085	SHAFT, INTERMEDIATE	1
10	AAB-007-01086	SHAFT, OUTPUT	1
11	AAB-007-01087	SHAFT, SHIFTER 0.750 STAINLESS	1
12	AAB-007-01088	WASHER, INTERMEDIATE 3.2"	1
13	AAB-007-01089	WASHER, OUTPUT - 2.555	1
14	AAB-007-01090	WASHER, WAVE 0.752	2
15	AAB-007-01091	CLUTCH, SHIFT COLAR	1
16	AAB-007-01092	HOUSING, OUTPUT SIDE	1
17	AAB-007-01093	HOUSING, INPUT SIDE	1
18	AAB-007-01094	SLINGER, OIL (0 DEG.)	1
19	AAB-007-01095	SLINGER, OIL (90 DEG)	1
20	AAB-007-01096	BALL, 6mm	2
21	AAB-007-01097	SPRING, SHIFTER	2
22	AAB-007-01098	BEARING, TAPER 110X50X29,25	6
23	AAB-007-01099	RETAINING RING, WHM-450	6
24	AAB-007-01100	BUSHING, OILITE AA1049-16	2
25	AAB-007-01101	SEAL, OIL 110X50X10	2
26	AAB-007-01102	RETAINING RING, 98585A115	2
27	AAB-007-01103	SHIM, SET 90X110	6
28	AAB-007-01104	SEAL, OIL	1
29	AAB-007-01105	KEY, 5/8 X 7/16 X 1 11/16	3
30	AAB-007-01106	PLATE, NAME - S/N WHITE	1
31	AAB-007-01107	BREATHER, 3/8-16 BSPP, TMDV-DS/38	1
32	AAB-007-01108	PLUG, MAGNETIC 3/8-18NPT SQ.HD	1
33	AAB-007-01109	SEAL, END CAP 110X10	4
34	AAB-007-01110	HHCS, M8X1.25 X 130 GRADE 8.8	11
35	AAB-007-01111	FORK, SHIFTING	1
36	AAB-007-01112	DOWEL, 1/4 x 7/8	2
37	AAB-007-01113	WASHER, 0.781X1.625X0.161	2
38	AAB-007-01114	TACK, NAME PLATE	2
39	AAB-007-01115	3/8 NPT Countersunk Hex-Head Plug	2

DRAWN : CDiRamio

DATE : 10/11/2017

FILE : AAA-054-00478

TITLE : 2SPD GRBX 1.3:1 & 1.8:1 ODG

PRINT DATE: 10/19/2017

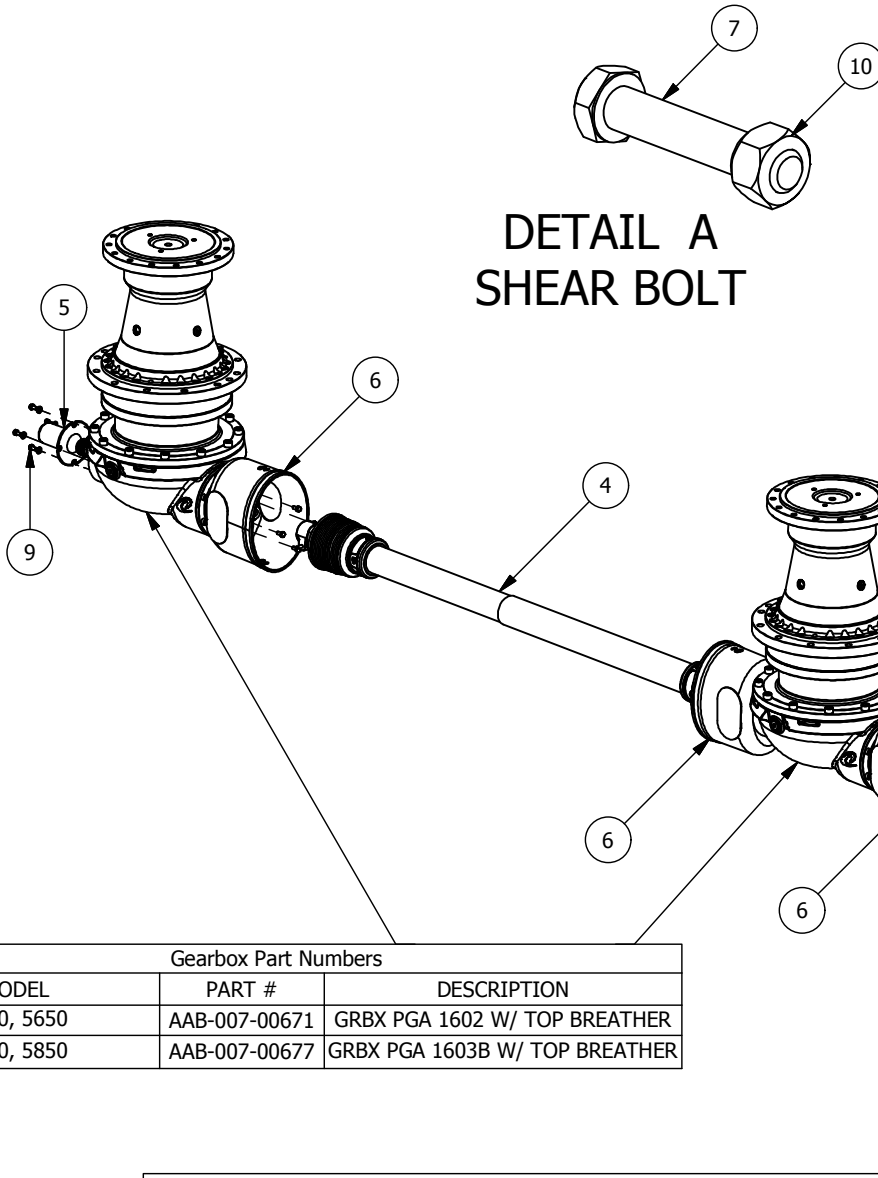
JAY-LOR
Fabricating Inc

TOLERANCES (UNLESS SPECIFIED OTHERWISE)
FRACTIONAL ± 1/16"
DEC X.X ± 0.1"
DEC X.XX ± 0.06"
DEC X.XXX ± 0.031"
ANGULAR ± 0.5°

SHEET 1 OF 1

CONFIDENTIAL: THESE DRAWINGS AND COPIES THEREOF REMAIN THE PROPERTY OF JAY-LOR FABRICATING INC. ANY PERSON FOUND UNLAWFULLY USING, DISTRIBUTING, OR IN POSSESSION OF THE ABOVE WILL BE PROSECUTED

DETAIL A SHEAR BOLT



Parts List			
ITE	PART NUMBER	TITLE	QTY
1	AAB-007-00290	FLNG BRNG 1-3/4 UCF 209-28	1
2	AAA-002-01041-P3	MNT FLNG BRNG 5000 (BLACK)	1
3	AAB-007-00160	PTO NUM 8 1-3/4M 20SP X 1-3/4F 20SP WSB X 44.49/69.29	1
4	AAB-007-00162	PTO NUM 6 1-3/4F 20SP X 1-3/4F 20SP X 51.57/80.31	1
5	AAB-007-00171	PTO TAIL SHAFT COVER	1
6	AAB-007-00323	DRIVESHFT COUNTER CONE BLACK WITH FLAPS	3
7	AAB-007-00384	BOLT SHEAR HEX 12MM X 65MM UNF GRD 8.8	1
8	AAB-007-00817	IICS/CONE BLACK WITH RUBR EXT (517000E03)	1
9	AAB-015-10078	BOLT HEX 8MM X 16MM GRD 8.8	16
10	AAB-015-20022	NUT HEX ALL STL LOCK 12MM	1

CV PTO Option Part Numbers	
PART #	DESCRIPTION
AAB-007-00163	PTO NUM 8 1-3/4F 20SP CV X 1-3/4F 20SP X 35.43/52.75
AAB-007-00164	PTO NUM 8 1-3/8F 6SP CV X 1-3/4F 20 SP X 35.43/52.75
AAB-007-00167	PTO NUM 8 1-3/8F 21SP CV X 1-3/4F 20SP X 35.43/52.75

Gearbox Part Numbers		
MODEL	PART #	DESCRIPTION
5600, 5650	AAB-007-00671	GRBX PGA 1602 W/ TOP BREATHER
5750, 5850	AAB-007-00677	GRBX PGA 1603B W/ TOP BREATHER

Standard PTO Part Numbers		
MODEL	PART #	DESCRIPTION
5600, 5650	AAB-007-00157	PTO NUM 8 1-3/8F 6SP X 1-3/4F 20SP X 40.16/60.63
5750, 5850	AAB-007-00158	PTO NUM 8 1-3/8 21SP X 1-3/4F 20SP X 42.13/64.17
	AAB-007-00159	PTO NUM 8 1-3/4F 20SP X 1-3/4F 20SP X 42.13/64.17

DRWN : GM

DATE : 1/21/2015

MAT :

TOLERANCES (UNLESS SPECIFIED OTHERWISE)
 FRACTIONAL ± 1/16"
 DEC X.X ± 0.1"
 DEC X.XX ± 0.06"
 DEC X.XXX ± 0.031"
 ANGULAR ± 0.5°

JAY-LOR
 Fabricating Inc

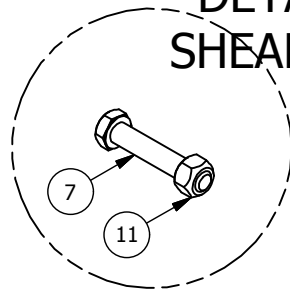
VIEW REP : SHEET 1 OF 1 R# DATE DESCRIPTION DR CK

TITLE : 5000 SERIES TWIN AUGER STANDARD DRIVELINE

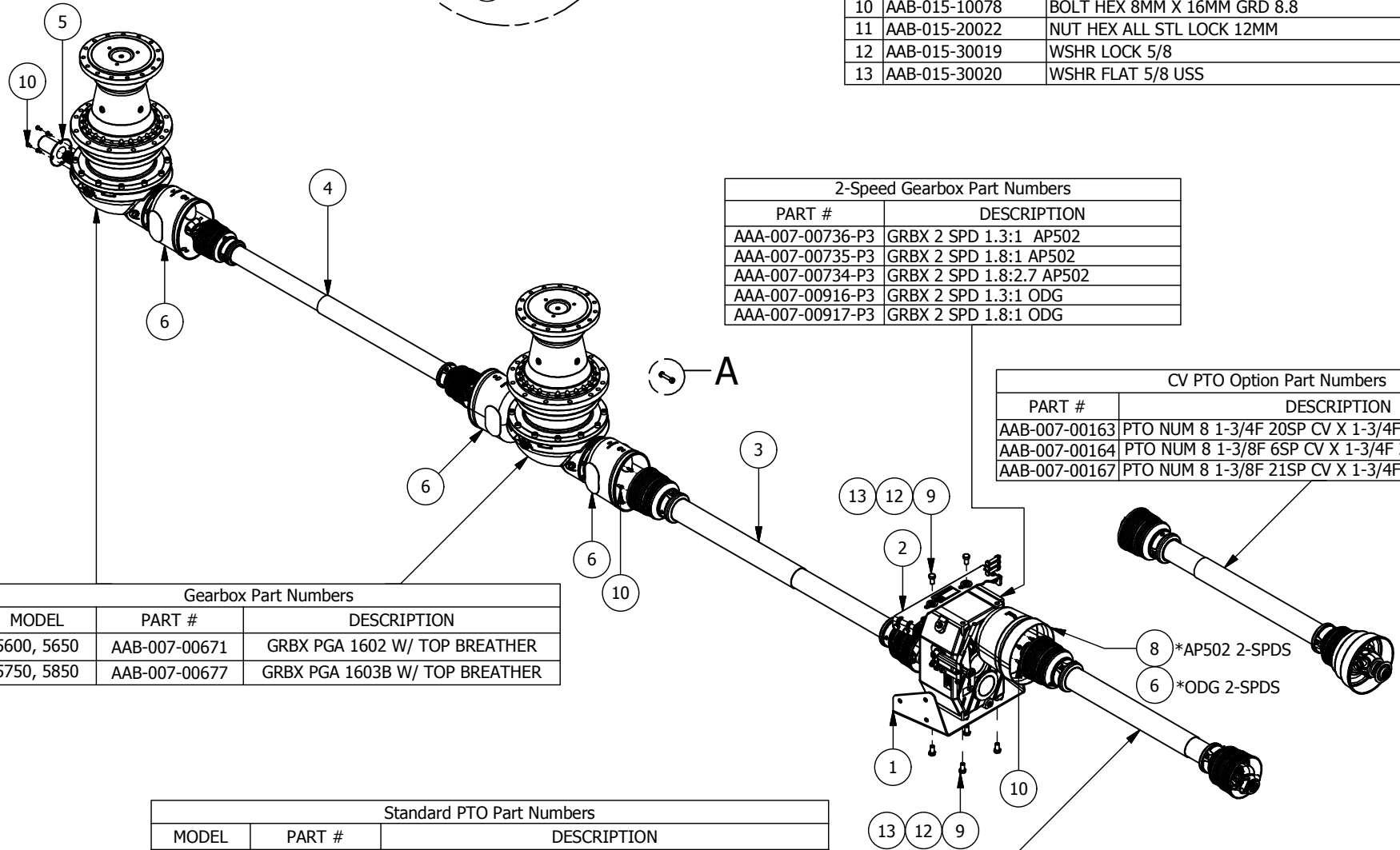
FILE NO : AAA-054-00148.idw

CONFIDENTIAL: THESE DRAWINGS AND COPIES THEREOF REMAIN THE PROPERTY OF JAY-LOR FABRICATING INC. ANY PERSON FOUND UNLAWFULLY USING, DISTRIBUTING, OR IN POSSESSION OF THE ABOVE WILL BE PROSECUTED

DETAIL A SHEAR BOLT



Parts List			
ITE	PART NUMBER	TITLE	QTY
1	AAA-007-00032-P3	2 SPD LWR MNT 1/4T (BLACK)	1
2	AAA-007-00033-P3	2 SPD UPPR MNT 1/4T (BLACK)	1
3	AAB-007-00161	PTO NUM 8 1-3/4F 20 SP X 1-3/4F 20SP WSB X 48.03/73.82	1
4	AAB-007-00162	PTO NUM 6 1-3/4F 20SP X 1-3/4F 20SP X 51.57/80.31	1
5	AAB-007-00171	PTO TAIL SHAFT COVER	1
6	AAB-007-00323	DRIVESHT COUNTER CONE BLACK WITH FLAPS	3
7	AAB-007-00384	BOLT SHEAR HEX 12MM X 65MM UNF GRD 8.8	4
8	AAB-007-00817	IICS/CONE BLACK WITH RUBR EXT (517000E03)	1
9	AAB-015-10055	BOLT HEX 16MM X 30MM GRD 10.9	6
10	AAB-015-10078	BOLT HEX 8MM X 16MM GRD 8.8	20
11	AAB-015-20022	NUT HEX ALL STL LOCK 12MM	4
12	AAB-015-30019	WSHR LOCK 5/8	6
13	AAB-015-30020	WSHR FLAT 5/8 USS	6



2-Speed Gearbox Part Numbers

PART #	DESCRIPTION
AAA-007-00736-P3	GRBX 2 SPD 1.3:1 AP502
AAA-007-00735-P3	GRBX 2 SPD 1.8:1 AP502
AAA-007-00734-P3	GRBX 2 SPD 1.8:2.7 AP502
AAA-007-00916-P3	GRBX 2 SPD 1.3:1 ODG
AAA-007-00917-P3	GRBX 2 SPD 1.8:1 ODG

CV PTO Option Part Numbers

PART #	DESCRIPTION
AAB-007-00163	PTO NUM 8 1-3/4F 20SP CV X 1-3/4F 20SP X 35.43/52.75
AAB-007-00164	PTO NUM 8 1-3/8F 6SP CV X 1-3/4F 20 SP X 35.43/52.75
AAB-007-00167	PTO NUM 8 1-3/8F 21SP CV X 1-3/4F 20SP X 35.43/52.75

Gearbox Part Numbers

MODEL	PART #	DESCRIPTION
5600, 5650	AAB-007-00671	GRBX PGA 1602 W/ TOP BREATHER
5750, 5850	AAB-007-00677	GRBX PGA 1603B W/ TOP BREATHER

Standard PTO Part Numbers

MODEL	PART #	DESCRIPTION
5600, 5650	AAB-007-00157	PTO NUM 8 1-3/8F 6SP X 1-3/4F 20SP X 40.16/60.63
5750, 5850	AAB-007-00158	PTO NUM 8 1-3/8 21SP X 1-3/4F 20SP X 42.13/64.17
	AAB-007-00159	PTO NUM 8 1-3/4F 20SP X 1-3/4F 20SP X 42.13/64.17

DRWN : Bcrawford

DATE : 6/27/2016

MAT :

TOLERANCES (UNLESS SPECIFIED OTHERWISE)
 FRACTIONAL ± 1/16"
 DEC X.X ± 0.1"
 DEC X.XX ± 0.06"
 DEC X.XXX ± 0.031"
 ANGULAR ± 0.5°

JAY-LOR
 Fabricating Inc

VIEW REP :

SHEET 1 OF 1

R#

DATE

DESCRIPTION

DR

CK

TITLE : 5000 SERIES TWIN AUGER DRIVELINE WITH 2-SPEED

FILE NO : AAA-054-00149.idw

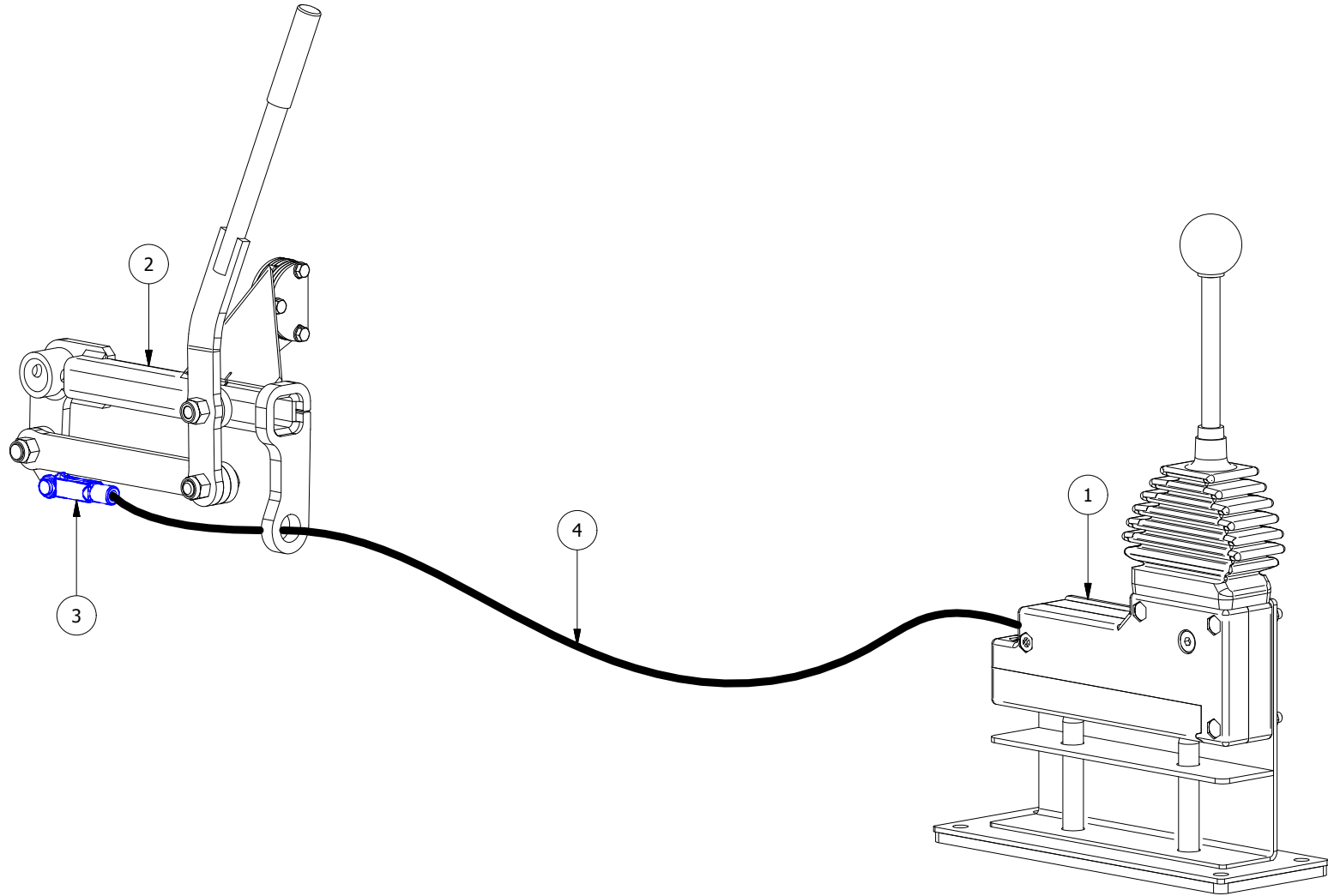
CONFIDENTIAL: THESE DRAWINGS AND COPIES THEREOF REMAIN THE PROPERTY OF JAY-LOR FABRICATING INC. ANY PERSON FOUND UNLAWFULLY USING, DISTRIBUTING, OR IN POSSESSION OF THE ABOVE WILL BE PROSECUTED

Parts List

ITEM	PART NUMBER	TITLE	QTY
1	AAA-007-00737	2 SPEED LEVER ASSEMBLY WITH MNT BRKT's	1
2	AAA-007-00739	AP502/602 UPRIGHT/INVERTED SHIFTER KIT PARTS ORDER	1
3	AAB-007-00498	CLEVIS ASSEMBLY	1
4	AAB-007-00738	CABLE ASSEMBLY	1

2-SPEED REMOTE SHIFTER

AP502 & AP602 2-SPEED GEARBOXES



DRWN : Bcrawford

DATE : 6/16/2016

DR

CK

MAT :

TOLERANCES (UNLESS SPECIFIED OTHERWISE)
 FRACTIONAL ± 1/16"
 DEC X.X ± 0.1"
 DEC X.XX ± 0.06"
 DEC X.XXX ± 0.031"
 ANGULAR ± 0.5°

JAY•LOR
 Fabricating Inc

VIEW REP :

SHEET 1 OF 2

R#

DATE

DESCRIPTION

TITLE : KIT 2 SPEED REMOTE SHIFTER 5000 SERIES

FILE NO : AAA-054-00180.idw

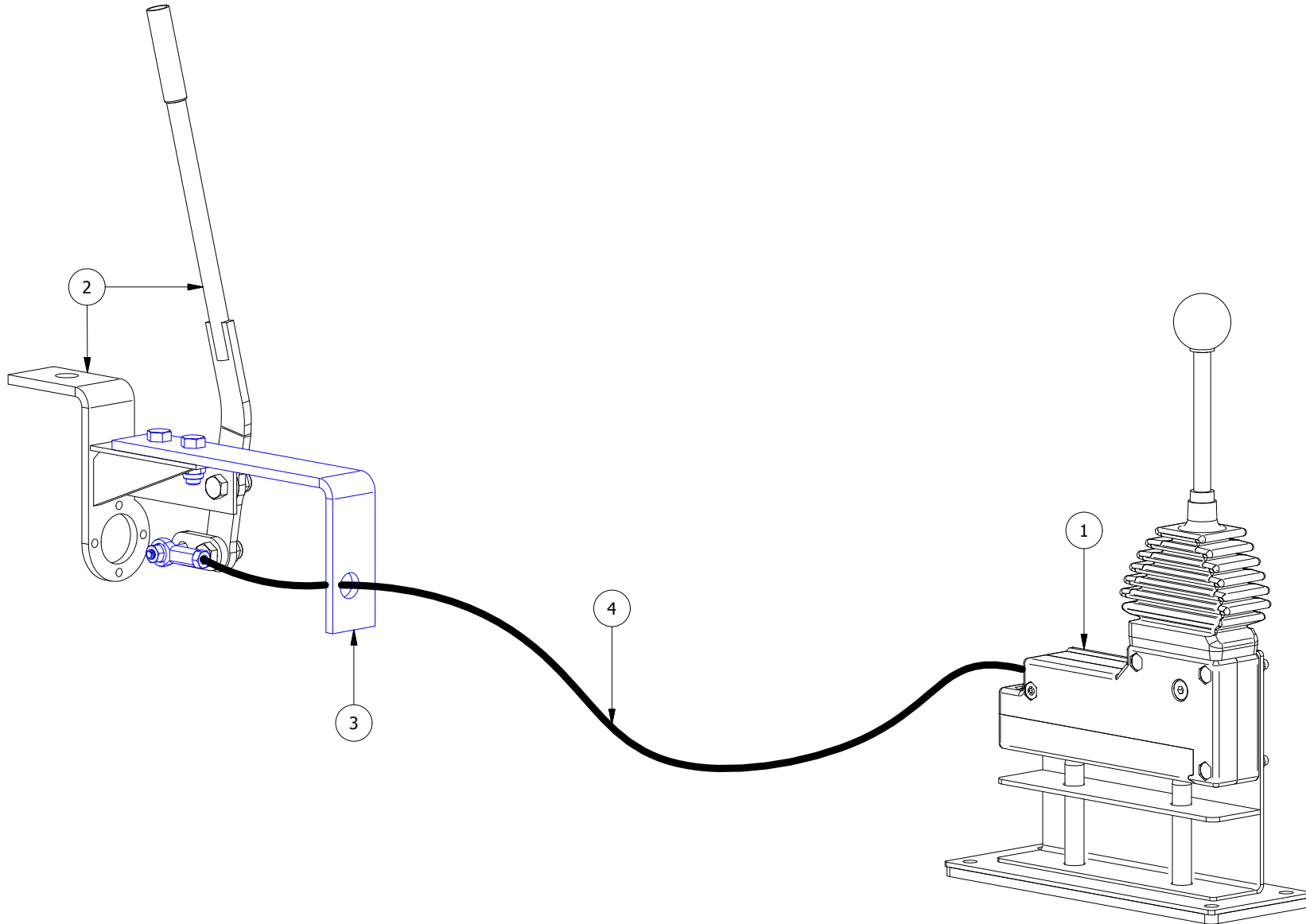
CONFIDENTIAL: THESE DRAWINGS AND COPIES THEREOF REMAIN THE PROPERTY OF JAY-LOR FABRICATING INC. ANY PERSON FOUND UNLAWFULLY USING, DISTRIBUTING, OR IN POSSESSION OF THE ABOVE WILL BE PROSECUTED

Parts List

ITE	PART NUMBER	TITLE	QTY
1	AAA-007-00737	2 SPEED LEVER ASSEMBLY WITH MNT BRKT's	1
2	AAA-007-00901	ODG 2 SPD SHIFTER KIT	1
3	AAA-007-00903	ODG 2 SPD REMOTE SHIFTER KIT	1
4	AAB-007-00738	CABLE ASSEMBLY	1

2-SPEED REMOTE SHIFTER

ODG 2-SPEED GEARBOXES

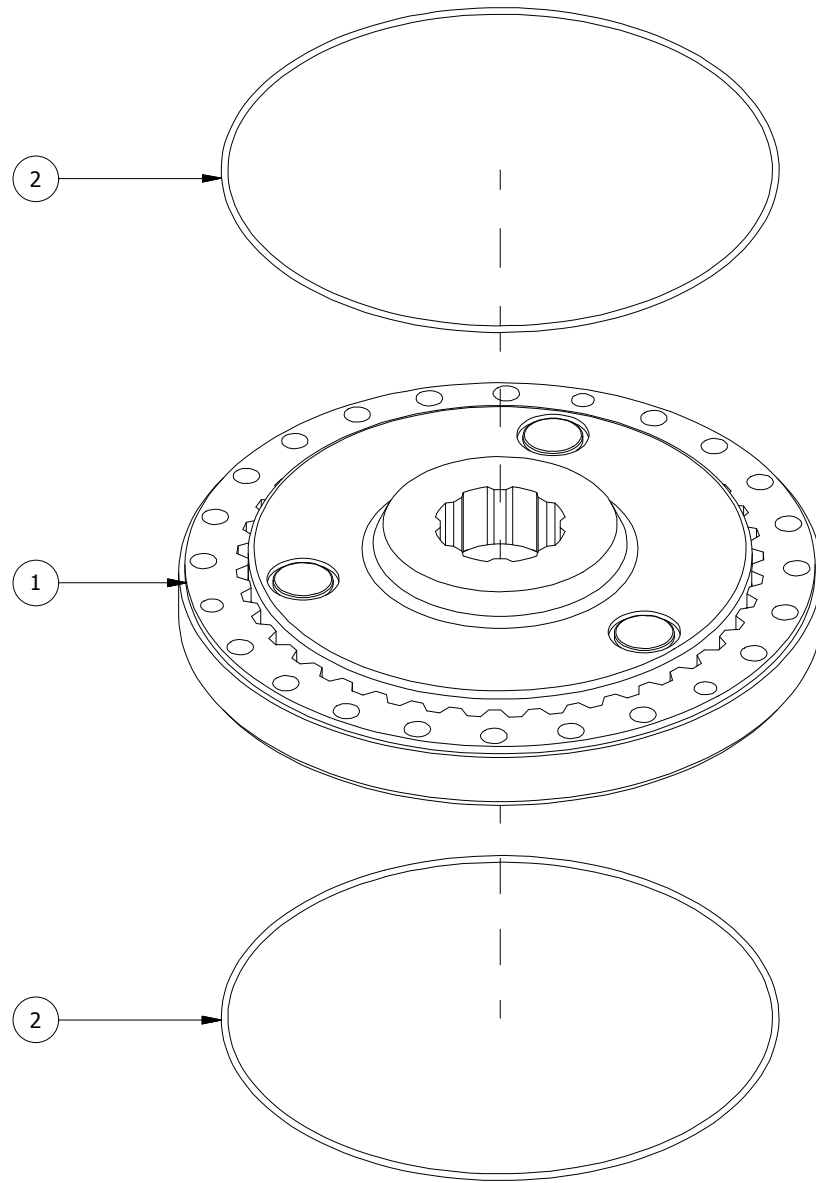


DRWN : Bcrawford	TOLERANCES (UNLESS SPECIFIED OTHERWISE)	JAY•LOR Fabricating Inc
DATE : 6/16/2016	FRACTIONAL ± 1/16" DEC X.X ± 0.1" DEC X.XX ± 0.06" DEC X.XXX ± 0.031" ANGULAR ± 0.5°	
MAT :	CONFIDENTIAL: THESE DRAWINGS AND COPIES THEREOF REMAIN THE PROPERTY OF JAY-LOR FABRICATING INC. ANY PERSON FOUND UNLAWFULLY USING, DISTRIBUTING, OR IN POSSESSION OF THE ABOVE WILL BE PROSECUTED	

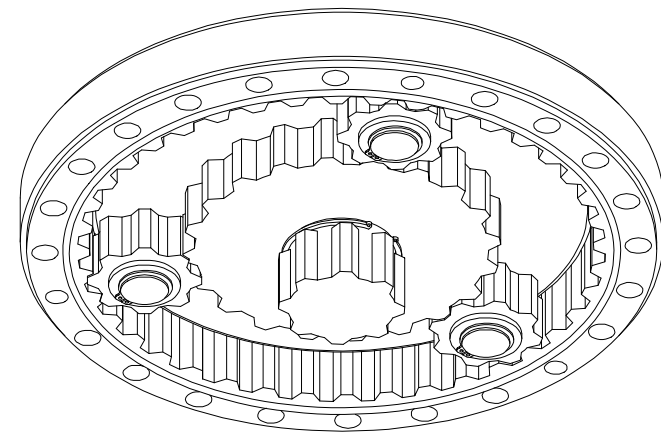
VIEW REP : ODG 2-SPDS	SHEET 2 OF 2	R#	DATE	DESCRIPTION	DR	CK
TITLE : KIT 2 SPEED REMOTE SHIFTER 5000 SERIES				FILE NO : AAA-054-00180.idw		

Parts List

ITEM	PART NUMBER	TITLE	QTY
1	AAB-007-00270	KIT PLANETARY SET PGA1603 VM (LOWER SET)	1
2	AAB-007-00523	O-RING 3.53 X 291.69	2



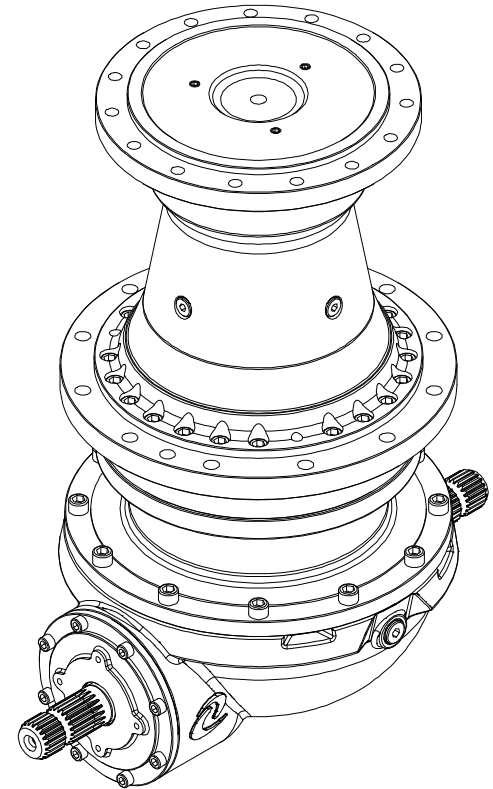
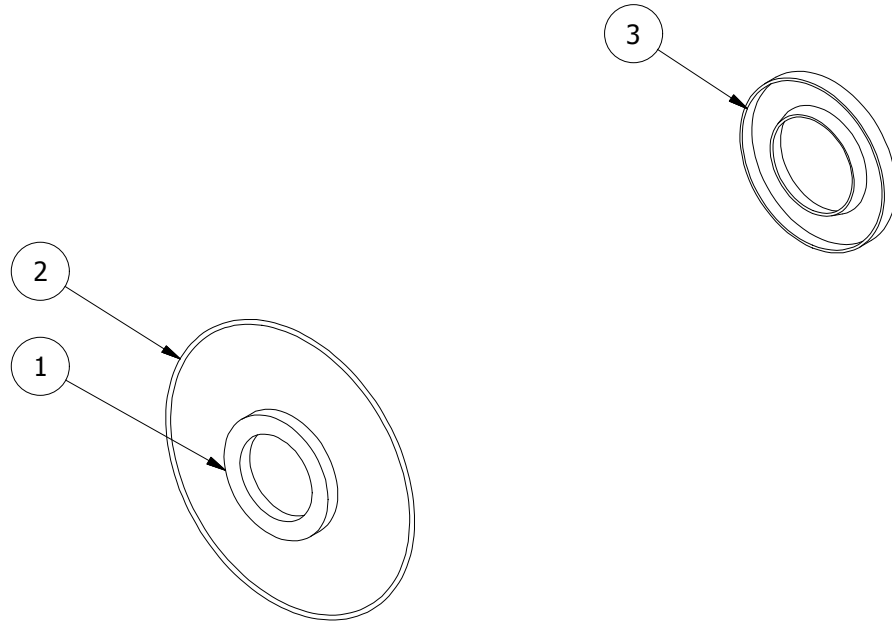
TOP VIEW



BOTTOM VIEW

DRWN :	TOLERANCES (UNLESS SPECIFIED OTHERWISE)	
DATE : 1/2/2015	FRACTIONAL ± 1/16" DEC X.X ± 0.1" DEC X.XX ± 0.06" DEC X.XXX ± 0.031" ANGULAR ± 0.5°	
MAT :		

Parts List			
ITEM	PART NUMBER	TITLE	QTY
1	AAB-007-00255	OIL SEAL BASL 45X72X8 DIN 3760 - NB	1
2	AAB-007-00256	O-RING 2.62 X 158.42	1
3	AAB-007-00259	OIL SEAL BASL 55 X 100 X 10 DIN 3760	1

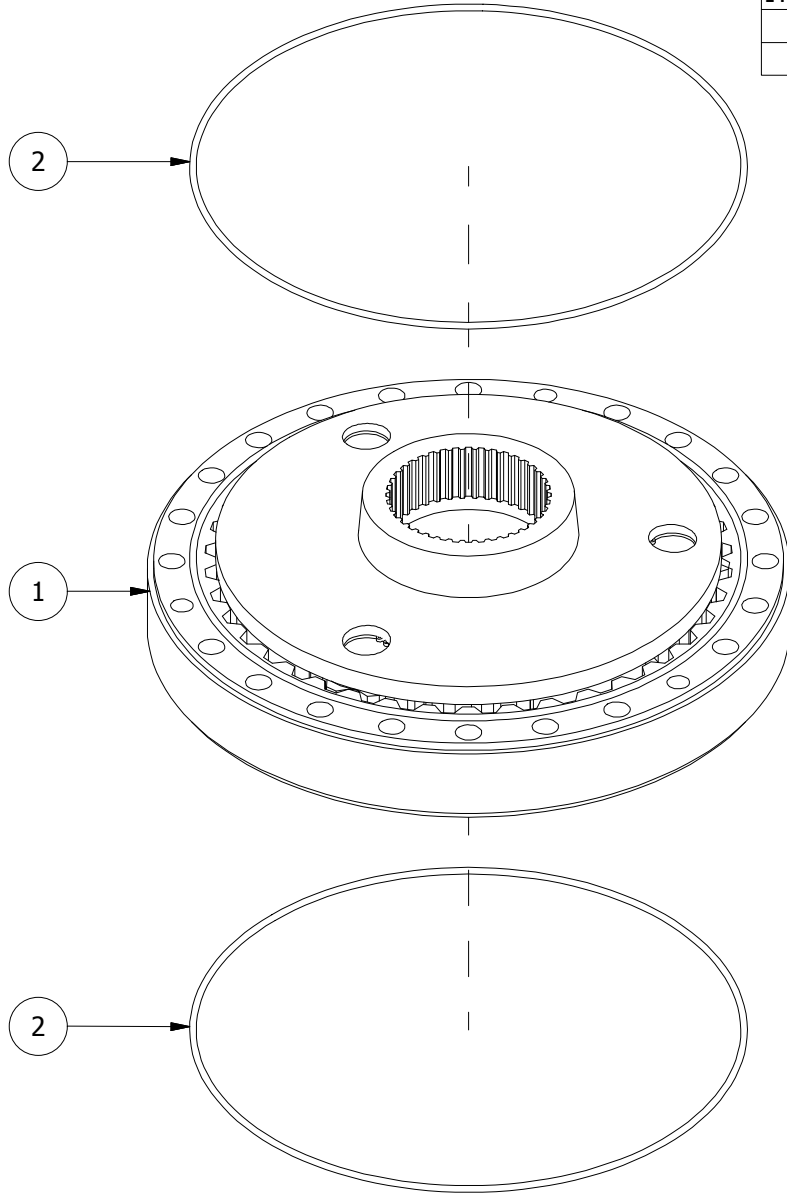


NOTE: INPUT AND OUTPUT SHAFT SEALS COMMON BETWEEN 1602 AND 1603 (THRU SHAFT)

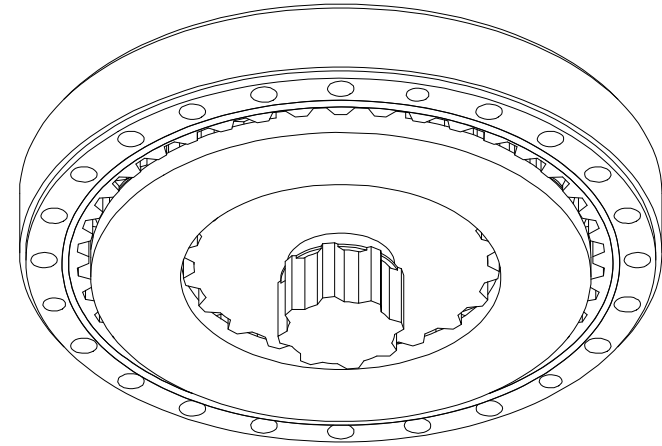
DRWN : LMV	TOLERANCES (UNLESS SPECIFIED OTHERWISE) FRACTIONAL ± 1/16" DEC X.X ± 0.1" DEC X.XX ± 0.06" DEC X.XXX ± 0.031" ANGULAR ± 0.5°	JAY-LOR Fabricating Inc						
DATE : 1/2/2015								
VIEW REP :	SHEET 1 OF 1	R#	DATE	DESCRIPTION	DR	CK	MAT :	CONFIDENTIAL: THESE DRAWINGS AND COPIES THEREOF REMAIN THE PROPERTY OF JAY-LOR FABRICATING INC. ANY PERSON FOUND UNLAWFULLY USING, DISTRIBUTING, OR IN POSSESSION OF THE ABOVE WILL BE PROSECUTED
TITLE : KIT INPUT / OUTPUT SEALS 1602 / 1603				FILE NO : AAA-054-00182.idw				

Parts List

ITEM	PART NUMBER	TITLE	QTY
1	AAB-007-00234	KIT PLANETARY SET PGA1602 VM AND PGA1603 VM (UPPER SET)	1
2	AAB-007-00523	O-RING 3.53 X 291.69	2



TOP VIEW



BOTTOM VIEW

DRWN : LMV

DATE : 1/2/2015

MAT :

TOLERANCES (UNLESS SPECIFIED OTHERWISE)
 FRACTIONAL ± 1/16"
 DEC X.X ± 0.1"
 DEC X.XX ± 0.06"
 DEC X.XXX ± 0.031"
 ANGULAR ± 0.5°

JAY•LOR
 Fabricating Inc

VIEW REP :	SHEET 1 OF 1	R#	DATE	DESCRIPTION	DR	CK
------------	--------------	----	------	-------------	----	----

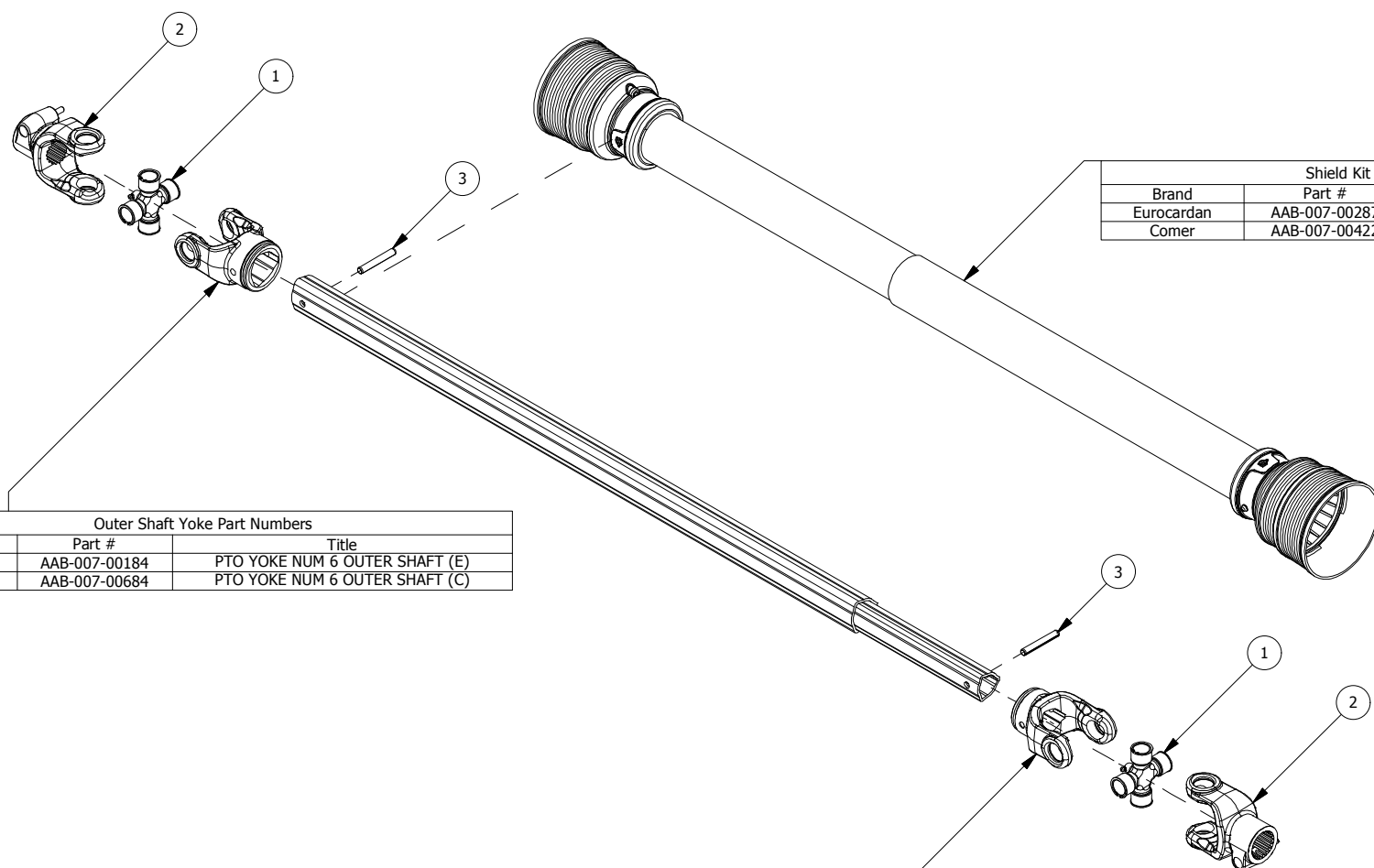
TITLE : KIT PLANETARY SET UPPER WITH O-RINGS (1602, 1603)

FILE NO : AAA-054-00183.idw

CONFIDENTIAL: THESE DRAWINGS AND COPIES THEREOF REMAIN THE PROPERTY OF JAY-LOR FABRICATING INC. ANY PERSON FOUND UNLAWFULLY USING, DISTRIBUTING, OR IN POSSESSION OF THE ABOVE WILL BE PROSECUTED

Parts List			
ITEM	PART NUMBER	TITLE	QTY
1	AAB-007-00183	PTO CROSS KIT NUM 6	2
2	AAB-007-00185	PTO YOKE NUM 6 1-3/4F X 20SP	2
3	AAB-007-00177	PTO ROLL PIN NUM 6	2

To order all parts as a kit, use Part # AAB-007-00162



Outer Shaft Yoke Part Numbers		
Brand	Part #	Title
Eurocardan	AAB-007-00184	PTO YOKE NUM 6 OUTER SHAFT (E)
Comer	AAB-007-00684	PTO YOKE NUM 6 OUTER SHAFT (C)

Shield Kit Part Numbers		
Brand	Part #	Title
Eurocardan	AAB-007-00287	PTO SHIELD KIT NUM 6 (E)
Comer	AAB-007-00422	PTO SHIELD KIT NUM 6 (C)

Inner Shaft Yoke Part Numbers		
Brand	Part #	Title
Eurocardan	AAB-007-00173	PTO YOKE NUM 6 INNER SHAFT (E)
Comer	AAB-007-00176	PTO YOKE NUM 6 INNER SHAFT (C)

DRWN : LMV	TOLERANCES (UNLESS SPECIFIED OTHERWISE) FRACTIONAL ± 1/16" DEC X.X ± 0.1" DEC X.XX ± 0.06" DEC X.XXX ± 0.031" ANGULAR ± 0.5°	
DATE : 1/5/2015		
MAT :		

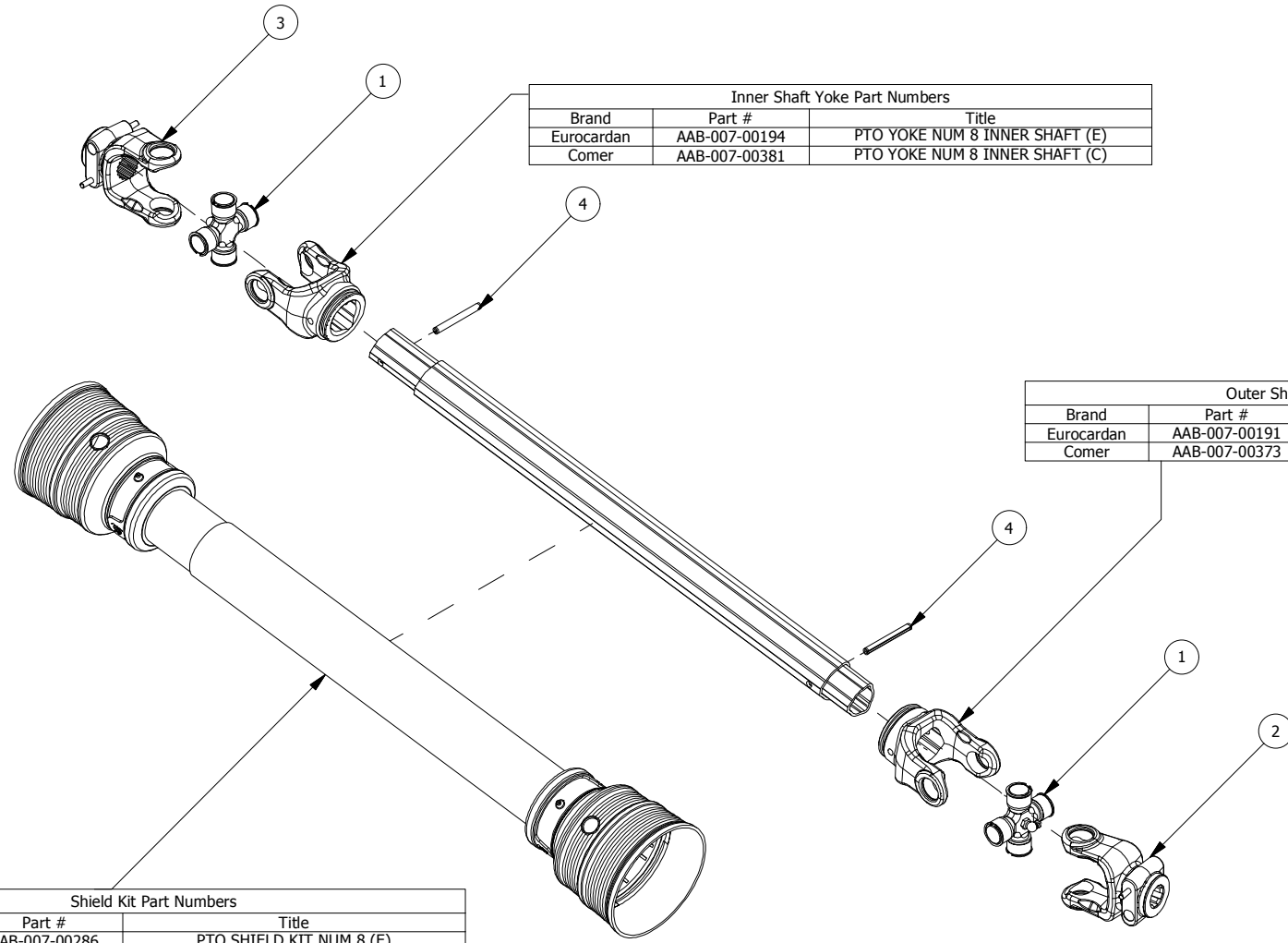
VIEW REP :	SHEET 1 OF 1	R#	DATE	DESCRIPTION	DR	CK
TITLE : PTO NUM 6 1-3/4F 20SP X 1-3/4F 20SP X 51.57/80.31						

FILE NO : AAA-054-00194.idw

CONFIDENTIAL: THESE DRAWINGS AND COPIES THEREOF REMAIN THE PROPERTY OF JAY-LOR FABRICATING INC. ANY PERSON FOUND UNLAWFULLY USING, DISTRIBUTING, OR IN POSSESSION OF THE ABOVE WILL BE PROSECUTED

Parts List			
ITEM	PART NUMBER	TITLE	QTY
1	AAB-007-00190	PTO CROSS KIT NUM 8	2
2	AAB-007-00186	PTO YOKE NUM 8 1-3/8F X 6SP	1
3	AAB-007-00199	PTO YOKE NUM 8 1-3/4F X 20SP	1
4	AAB-007-00193	ROLL PIN 3/8DIA X 3.5L	2

To order all parts as a kit, use Part # AAB-007-00157



Inner Shaft Yoke Part Numbers		
Brand	Part #	Title
Eurocardan	AAB-007-00194	PTO YOKE NUM 8 INNER SHAFT (E)
Comer	AAB-007-00381	PTO YOKE NUM 8 INNER SHAFT (C)

Outer Shaft Yoke Part Numbers		
Brand	Part #	Title
Eurocardan	AAB-007-00191	PTO YOKE NUM 8 OUTER SHAFT (E)
Comer	AAB-007-00373	PTO YOKE NUM 8 OUTER SHAFT (C)

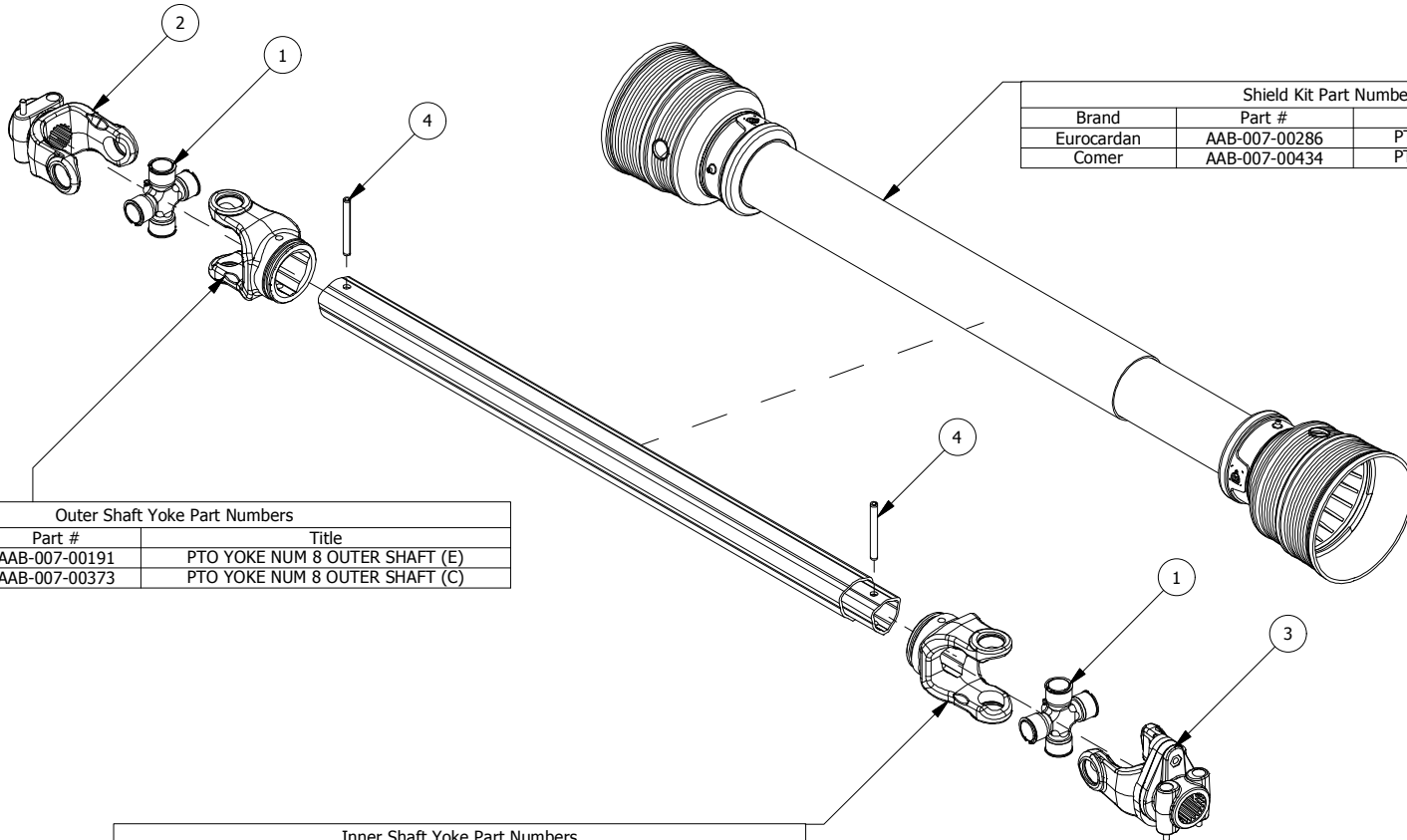
Shield Kit Part Numbers		
Brand	Part #	Title
Eurocardan	AAB-007-00286	PTO SHIELD KIT NUM 8 (E)
Comer	AAB-007-00434	PTO SHIELD KIT NUM 8 (C)

DRWN : LMV	TOLERANCES (UNLESS SPECIFIED OTHERWISE) FRACTIONAL ± 1/16" DEC X.X ± 0.1" DEC X.XX ± 0.06" DEC X.XXX ± 0.031" ANGULAR ± 0.5°	
DATE : 1/5/2015		
MAT :		

CONFIDENTIAL: THESE DRAWINGS AND COPIES THEREOF REMAIN THE PROPERTY OF JAY-LOR FABRICATING INC. ANY PERSON FOUND UNLAWFULLY USING, DISTRIBUTING, OR IN POSSESSION OF THE ABOVE WILL BE PROSECUTED

Parts List			
ITEM	PART NUMBER	TITLE	QTY
1	AAB-007-00190	PTO CROSS KIT NUM 8	2
2	AAB-007-00199	PTO YOKE NUM 8 1-3/4F X 20SP	1
3	AAB-007-00196	PTO YOKE NUM 8 1-3/4F X 20SP W/SB	1
4	AAB-007-00193	ROLL PIN 3/8DIA X 3.5L	2

To order all parts as a kit, use Part # AAB-007-00161



Shield Kit Part Numbers		
Brand	Part #	Title
Eurocardan	AAB-007-00286	PTO SHIELD KIT NUM 8 (E)
Comer	AAB-007-00434	PTO SHIELD KIT NUM 8 (C)

Outer Shaft Yoke Part Numbers		
Brand	Part #	Title
Eurocardan	AAB-007-00191	PTO YOKE NUM 8 OUTER SHAFT (E)
Comer	AAB-007-00373	PTO YOKE NUM 8 OUTER SHAFT (C)

Inner Shaft Yoke Part Numbers		
Brand	Part #	Title
Eurocardan	AAB-007-00194	PTO YOKE NUM 8 INNER SHAFT (E)
Comer	AAB-007-00381	PTO YOKE NUM 8 INNER SHAFT (C)

DRWN : LMV
 DATE : 1/5/2015
 MAT :

TOLERANCES (UNLESS SPECIFIED OTHERWISE)
 FRACTIONAL ± 1/16"
 DEC X.X ± 0.1"
 DEC X.XX ± 0.06"
 DEC X.XXX ± 0.031"
 ANGULAR ± 0.5°



VIEW REP : SHEET 1 OF 1 R# DATE DESCRIPTION DR CK

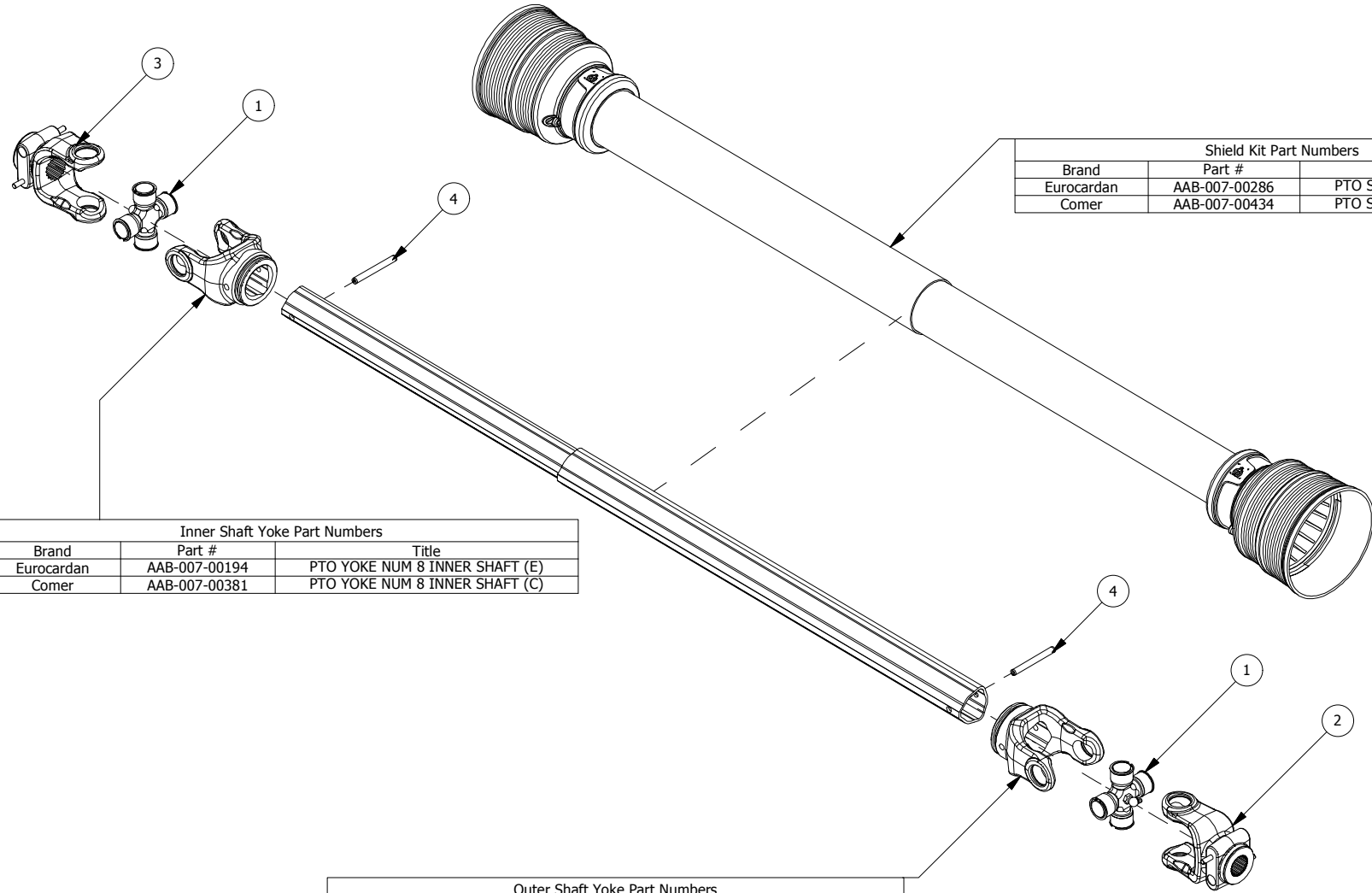
TITLE : PTO NUM 8 1-3/4F 20 SP X 1-3/4F 20SP WSB X 48.03/73.82

FILE NO : AAA-054-00193.idw

CONFIDENTIAL: THESE DRAWINGS AND COPIES THEREOF REMAIN THE PROPERTY OF JAY-LOR FABRICATING INC. ANY PERSON FOUND UNLAWFULLY USING, DISTRIBUTING, OR IN POSSESSION OF THE ABOVE WILL BE PROSECUTED

Parts List			
ITEM	PART NUMBER	TITLE	QTY
1	AAB-007-00190	PTO CROSS KIT NUM 8	2
2	AAB-007-00201	PTO YOKE NUM 8 1-3/8F X 21SP	1
3	AAB-007-00199	PTO YOKE NUM 8 1-3/4F X 20SP	1
4	AAB-007-00193	ROLL PIN 3/8DIA X 3.5L	2

To order all parts as a kit, use Part # AAB-007-00158



Shield Kit Part Numbers		
Brand	Part #	Title
Eurocardan	AAB-007-00286	PTO SHIELD KIT NUM 8 (E)
Comer	AAB-007-00434	PTO SHIELD KIT NUM 8 (C)

Inner Shaft Yoke Part Numbers		
Brand	Part #	Title
Eurocardan	AAB-007-00194	PTO YOKE NUM 8 INNER SHAFT (E)
Comer	AAB-007-00381	PTO YOKE NUM 8 INNER SHAFT (C)

Outer Shaft Yoke Part Numbers		
Brand	Part #	Title
Eurocardan	AAB-007-00191	PTO YOKE NUM 8 OUTER SHAFT (E)
Comer	AAB-007-00373	PTO YOKE NUM 8 OUTER SHAFT (C)

DRWN : LMV	TOLERANCES (UNLESS SPECIFIED OTHERWISE) FRACTIONAL ± 1/16" DEC X.X ± 0.1" DEC X.XX ± 0.06" DEC X.XXX ± 0.031" ANGULAR ± 0.5°	JAY•LOR® Fabricating Inc
DATE : 1/5/2015		
VIEW REP :	MAT :	

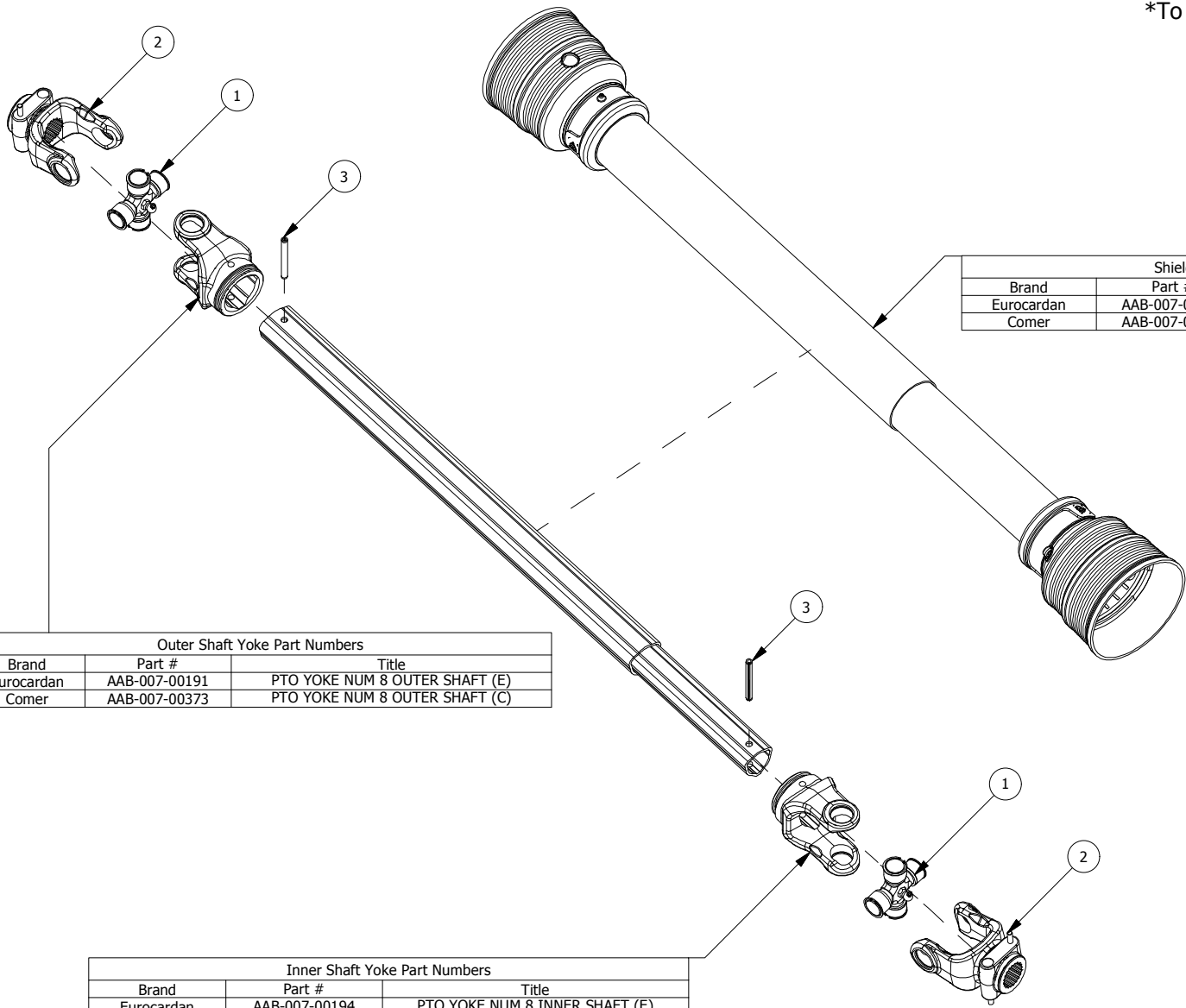
VIEW REP :	SHEET 1 OF 1	R#	DATE	DESCRIPTION	DR	CK
TITLE : PTO NUM 8 1-3/8F 21SP X 1-3/4F 20SP X 42.13/64.17						

FILE NO : AAA-054-00195.idw

CONFIDENTIAL: THESE DRAWINGS AND COPIES THEREOF REMAIN THE PROPERTY OF JAY-LOR FABRICATING INC. ANY PERSON FOUND UNLAWFULLY USING, DISTRIBUTING, OR IN POSSESSION OF THE ABOVE WILL BE PROSECUTED

Parts List			
ITEM	PART NUMBER	TITLE	QTY
1	AAB-007-00190	PTO CROSS KIT NUM 8	2
2	AAB-007-00199	PTO YOKE NUM 8 1-3/4F X 20SP	2
3	AAB-007-00193	ROLL PIN 3/8DIA X 3.5L	2

To order all parts as a kit, use Part # AAB-007-00159



Shield Kit Part Numbers		
Brand	Part #	Title
Eurocardan	AAB-007-00286	PTO SHIELD KIT NUM 8 (E)
Comer	AAB-007-00434	PTO SHIELD KIT NUM 8 (C)

Outer Shaft Yoke Part Numbers		
Brand	Part #	Title
Eurocardan	AAB-007-00191	PTO YOKE NUM 8 OUTER SHAFT (E)
Comer	AAB-007-00373	PTO YOKE NUM 8 OUTER SHAFT (C)

Inner Shaft Yoke Part Numbers		
Brand	Part #	Title
Eurocardan	AAB-007-00194	PTO YOKE NUM 8 INNER SHAFT (E)
Comer	AAB-007-00381	PTO YOKE NUM 8 INNER SHAFT (C)

DRWN : LMV	TOLERANCES (UNLESS SPECIFIED OTHERWISE) FRACTIONAL ± 1/16" DEC X.X ± 0.1" DEC X.XX ± 0.06" DEC X.XXX ± 0.031" ANGULAR ± 0.5°	
DATE : 1/5/2015		
MAT :		

CONFIDENTIAL: THESE DRAWINGS AND COPIES THEREOF REMAIN THE PROPERTY OF JAY-LOR FABRICATING INC. ANY PERSON FOUND UNLAWFULLY USING, DISTRIBUTING, OR IN POSSESSION OF THE ABOVE WILL BE PROSECUTED

VIEW REP :	SHEET 1 OF 1	R#	DATE	DESCRIPTION	DR	CK
TITLE : PTO NUM 8 1-3/4F 20SP X 1-3/4F 20SP X 42.13/64.17						
FILE NO : AAA-054-00196.idw						

Parts List			
ITEM	PART NUMBER	TITLE	QTY
1	AAB-007-00190	PTO CROSS KIT NUM 8	1
2	AAB-007-00288	PTO CV JOINT NUM 8	1
3	AAB-007-00218	PTO NUM 8 INNER SHAFT 27.5L	1
4	AAB-007-00217	PTO NUM 8 OUTER SHAFT 27.5L	1
5	AAB-007-00199	PTO YOKE NUM 8 1-3/4F X 20SP	1
6	AAB-007-00193	ROLL PIN 3/8DIA X 3.5L	2

To order all parts as a kit, use Part # AAB-007-00163

CV Yoke Part Numbers		
Brand	Part #	Title
Eurocardan	AAB-007-00215	PTO CV YOKE NUM 8 1-3/4F X 20SP (E)
Comer	AAB-007-00385	PTO CV YOKE NUM 8 1-3/4F X 20SP (C)

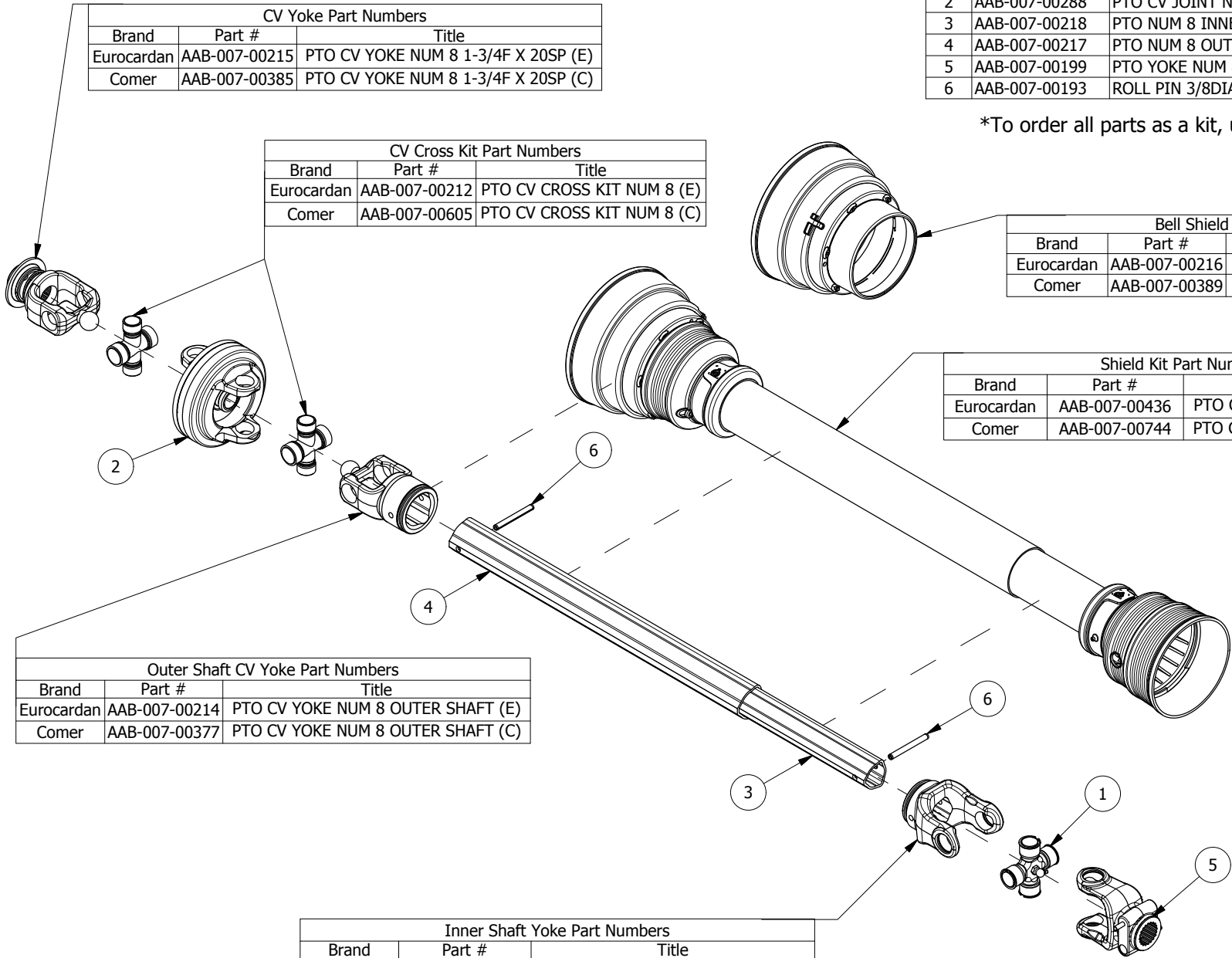
CV Cross Kit Part Numbers		
Brand	Part #	Title
Eurocardan	AAB-007-00212	PTO CV CROSS KIT NUM 8 (E)
Comer	AAB-007-00605	PTO CV CROSS KIT NUM 8 (C)

Bell Shield Part Numbers		
Brand	Part #	Title
Eurocardan	AAB-007-00216	PTO CV BELL SHIELD NUM 8 (E)
Comer	AAB-007-00389	PTO CV BELL SHIELD NUM 8 (C)

Shield Kit Part Numbers		
Brand	Part #	Title
Eurocardan	AAB-007-00436	PTO CV SHIELD KIT NUM 8 (E)
Comer	AAB-007-00744	PTO CV SHIELD KIT NUM 8 (C)

Outer Shaft CV Yoke Part Numbers		
Brand	Part #	Title
Eurocardan	AAB-007-00214	PTO CV YOKE NUM 8 OUTER SHAFT (E)
Comer	AAB-007-00377	PTO CV YOKE NUM 8 OUTER SHAFT (C)

Inner Shaft Yoke Part Numbers		
Brand	Part #	Title
Eurocardan	AAB-007-00194	PTO YOKE NUM 8 INNER SHAFT (E)
Comer	AAB-007-00381	PTO YOKE NUM 8 INNER SHAFT (C)



DR	LMV	TOLERANCES (UNLESS SPECIFIED OTHERWISE) FRACTIONAL ± 1/16" DEC X.X ± 0.1" DEC X.XX ± 0.06" DEC X.XXX ± 0.031" ANGULAR ± 0.5°	JAY-LOR Fabricating Inc
DAT	1/19/2012		
MAT			

UNITS	PAPER A	SHEET 1 OF 1	R#	DATE	DESCRIPTION	DR	CK
-------	---------	--------------	----	------	-------------	----	----

TITLE	PTO NUM 8 1-3/4F 20SP CV X 1-3/4F 20SP X 35.43/52.75	FILE NO	AAA-054-00336.idw
-------	--	---------	-------------------

CONFIDENTIAL: THESE DRAWINGS AND COPIES THEREOF REMAIN THE PROPERTY OF JAY-LOR FABRICATING INC. ANY PERSON FOUND UNLAWFULLY USING, DISTRIBUTING, OR IN POSSESSION OF THE ABOVE WILL BE PROSECUTED

Parts List

ITEM	PART NUMBER	TITLE	QTY
1	AAB-007-00190	PTO CROSS KIT NUM 8	1
2	AAB-007-00193	ROLL PIN 3/8DIA X 3.5L	2
3	AAB-007-00199	PTO YOKE NUM 8 1-3/4F X 20SP	1
4	AAB-007-00217	PTO NUM 8 OUTER SHAFT 27.5L	1
5	AAB-007-00218	PTO NUM 8 INNER SHAFT 27.5L	1
6	AAB-007-00288	PTO CV JOINT NUM 8	1

To order all parts as a kit, use Part # AAB-007-00164

CV Yoke Part Numbers

Brand	Part #	Title
Eurocardan	AAB-007-00213	PTO CV YOKE NUM 8 1-3/8F X 6SP (E)
Comer	AAB-007-00666	PTO CV YOKE NUM 8 1-3/8F X 6SP (C)

CV Cross Kit Part Numbers

Brand	Part #	Title
Eurocardan	AAB-007-00212	PTO CV CROSS KIT NUM 8 (E)
Comer	AAB-007-00605	PTO CV CROSS KIT NUM 8 (C)

Bell Shield Part Numbers

Brand	Part #	Title
Eurocardan	AAB-007-00216	PTO CV BELL SHIELD NUM 8 (E)
Comer	AAB-007-00389	PTO CV BELL SHIELD NUM 8 (C)

Shield Kit Part Numbers

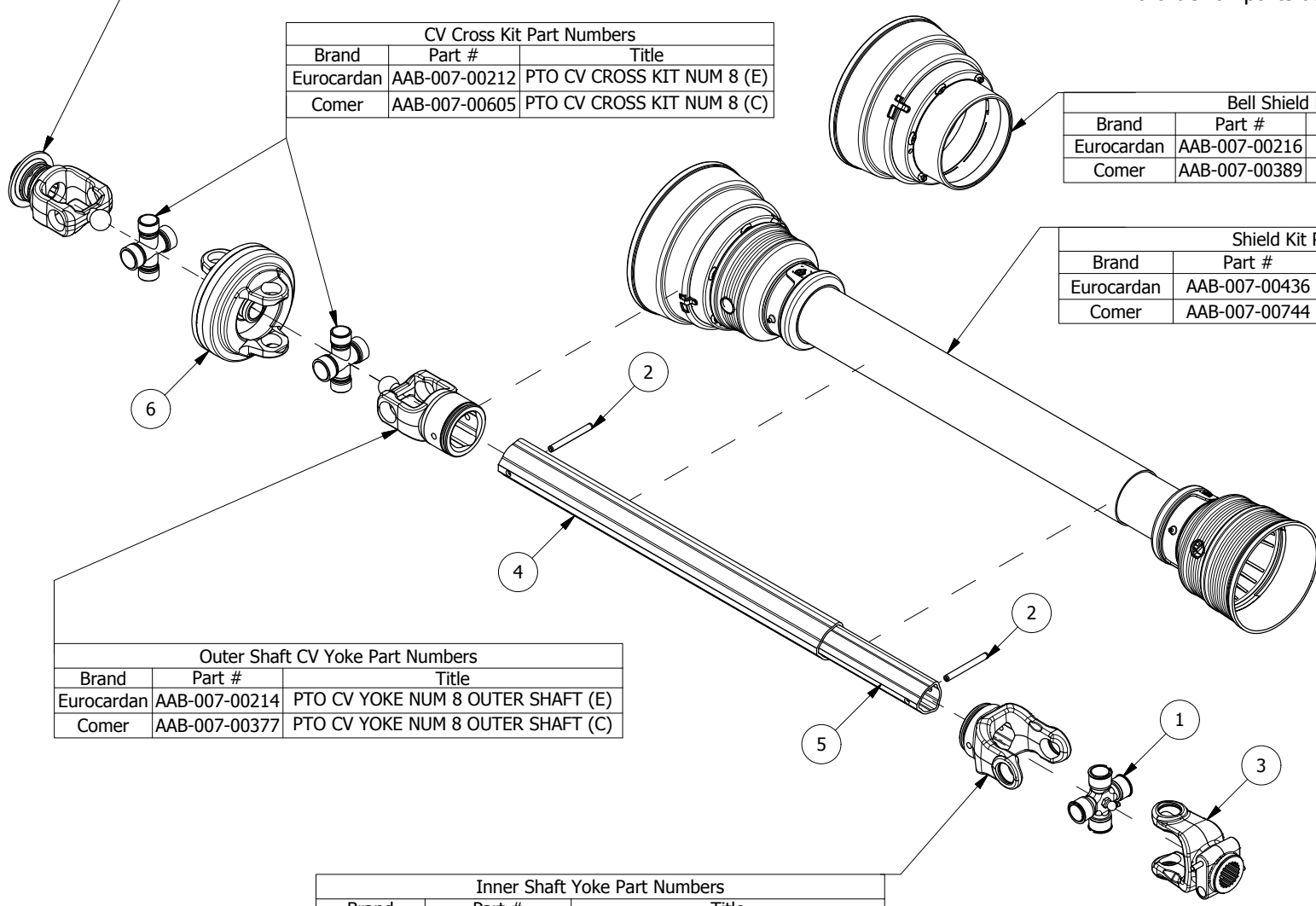
Brand	Part #	Title
Eurocardan	AAB-007-00436	PTO CV SHIELD KIT NUM 8 (E)
Comer	AAB-007-00744	PTO CV SHIELD KIT NUM 8 (C)

Outer Shaft CV Yoke Part Numbers

Brand	Part #	Title
Eurocardan	AAB-007-00214	PTO CV YOKE NUM 8 OUTER SHAFT (E)
Comer	AAB-007-00377	PTO CV YOKE NUM 8 OUTER SHAFT (C)

Inner Shaft Yoke Part Numbers

Brand	Part #	Title
Eurocardan	AAB-007-00194	PTO YOKE NUM 8 INNER SHAFT (E)
Comer	AAB-007-00381	PTO YOKE NUM 8 INNER SHAFT (C)



DR LMV

DAT 1/19/2012

DR

CK

MAT

TOLERANCES (UNLESS SPECIFIED OTHERWISE)
 FRACTIONAL ± 1/16"
 DEC X.X ± 0.1"
 DEC X.XX ± 0.06"
 DEC X.XXX ± 0.031"
 ANGULAR ± 0.5°



UNITS PAPER A SHEET 1 OF 2 R# DATE DESCRIPTION

TITLE PTO NUM 8 1-3/8F 6SP CV X 1-3/4F 20SP X 35.43/52.75

FILE NO AAA-054-00337.idw

CONFIDENTIAL: THESE DRAWINGS AND COPIES THEREOF REMAIN THE PROPERTY OF JAY-LOR FABRICATING INC. ANY PERSON FOUND UNLAWFULLY USING, DISTRIBUTING, OR IN POSSESSION OF THE ABOVE WILL BE PROSECUTED

Parts List			
ITEM	PART NUMBER	TITLE	QTY
1	AAB-007-00190	PTO CROSS KIT NUM 8	1
2	AAB-007-00193	ROLL PIN 3/8DIA X 3.5L	2
3	AAB-007-00199	PTO YOKE NUM 8 1-3/4F X 20SP	1
4	AAB-007-00217	PTO NUM 8 OUTER SHAFT 27.5L	1
5	AAB-007-00218	PTO NUM 8 INNER SHAFT 27.5L	1
6	AAB-007-00288	PTO CV JOINT NUM 8	1

To order all parts as a kit, use Part # AAB-007-00167

CV Yoke Part Numbers		
Brand	Part #	Title
Eurocardan	AAB-007-00386	PTO CV YOKE NUM 8 1-3/8F X 21SP (E)
Comer	AAB-007-00437	PTO CV YOKE NUM 8 1-3/8F X 21SP (C)

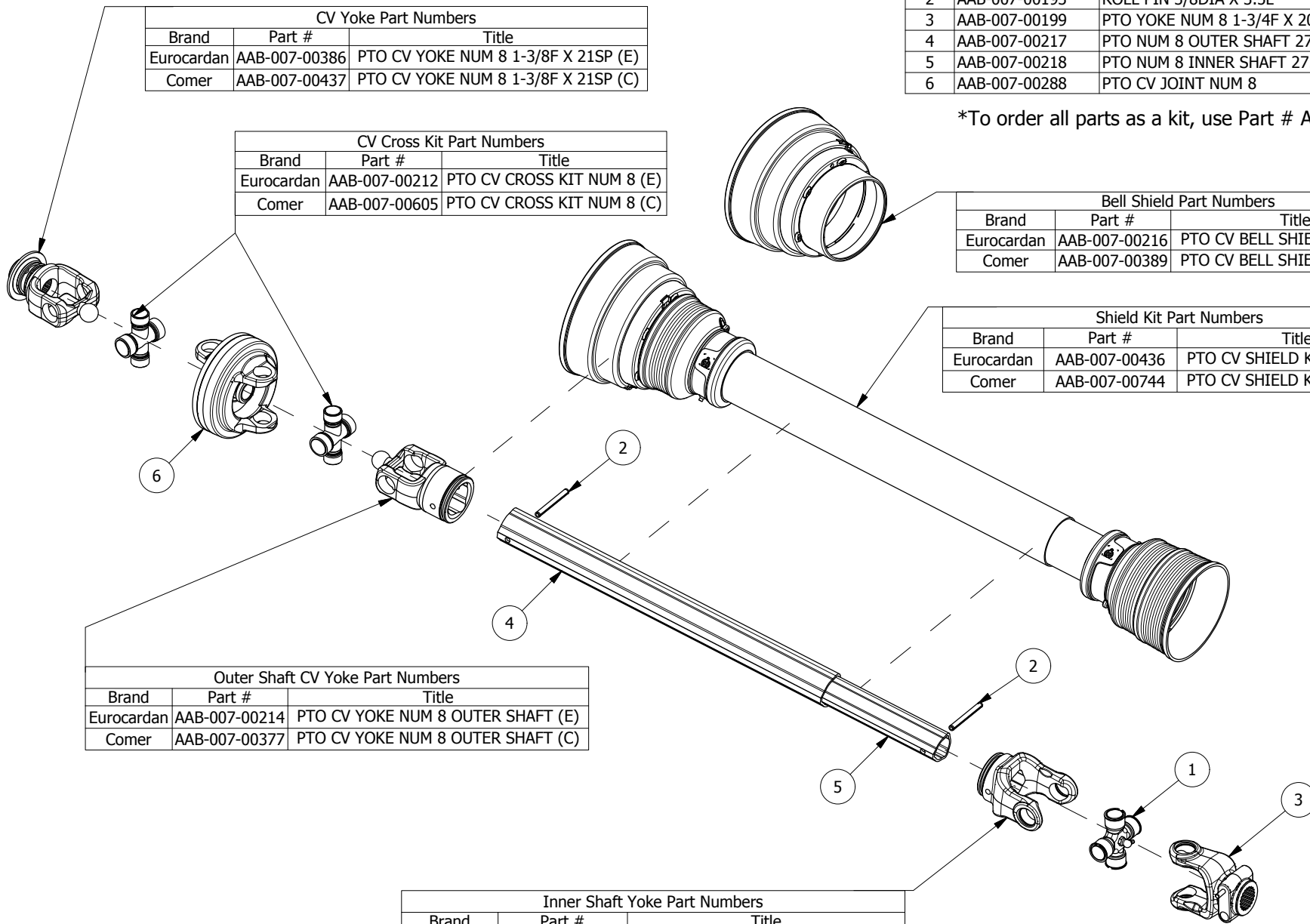
CV Cross Kit Part Numbers		
Brand	Part #	Title
Eurocardan	AAB-007-00212	PTO CV CROSS KIT NUM 8 (E)
Comer	AAB-007-00605	PTO CV CROSS KIT NUM 8 (C)

Bell Shield Part Numbers		
Brand	Part #	Title
Eurocardan	AAB-007-00216	PTO CV BELL SHIELD NUM 8 (E)
Comer	AAB-007-00389	PTO CV BELL SHIELD NUM 8 (C)

Shield Kit Part Numbers		
Brand	Part #	Title
Eurocardan	AAB-007-00436	PTO CV SHIELD KIT NUM 8 (E)
Comer	AAB-007-00744	PTO CV SHIELD KIT NUM 8 (C)

Outer Shaft CV Yoke Part Numbers		
Brand	Part #	Title
Eurocardan	AAB-007-00214	PTO CV YOKE NUM 8 OUTER SHAFT (E)
Comer	AAB-007-00377	PTO CV YOKE NUM 8 OUTER SHAFT (C)

Inner Shaft Yoke Part Numbers		
Brand	Part #	Title
Eurocardan	AAB-007-00194	PTO YOKE NUM 8 INNER SHAFT (E)
Comer	AAB-007-00381	PTO YOKE NUM 8 INNER SHAFT (C)



DR	LMV	TOLERANCES (UNLESS SPECIFIED OTHERWISE) FRACTIONAL ± 1/16" DEC X.X ± 0.1" DEC X.XX ± 0.06" DEC X.XXX ± 0.031" ANGULAR ± 0.5°	JAY-LOR Fabricating Inc
DAT	2/11/2008		
MAT			

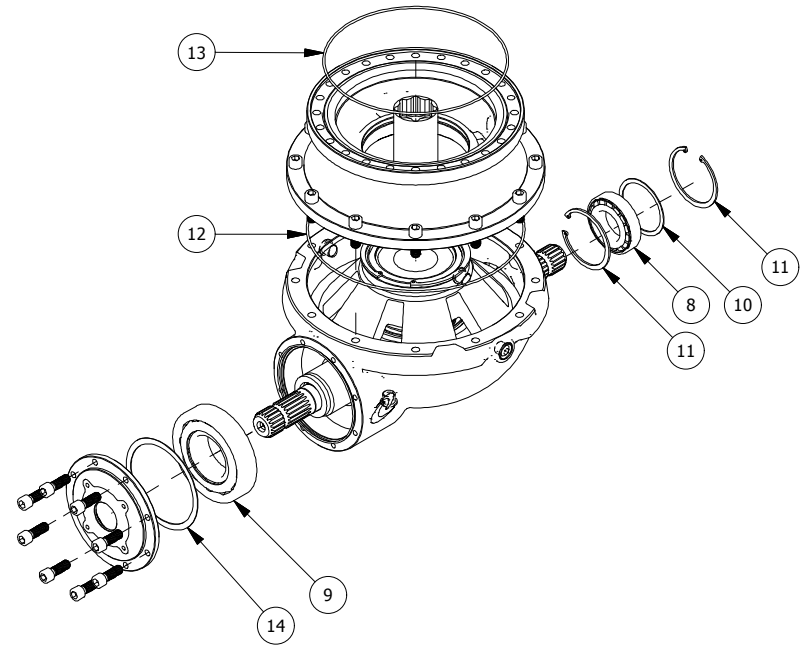
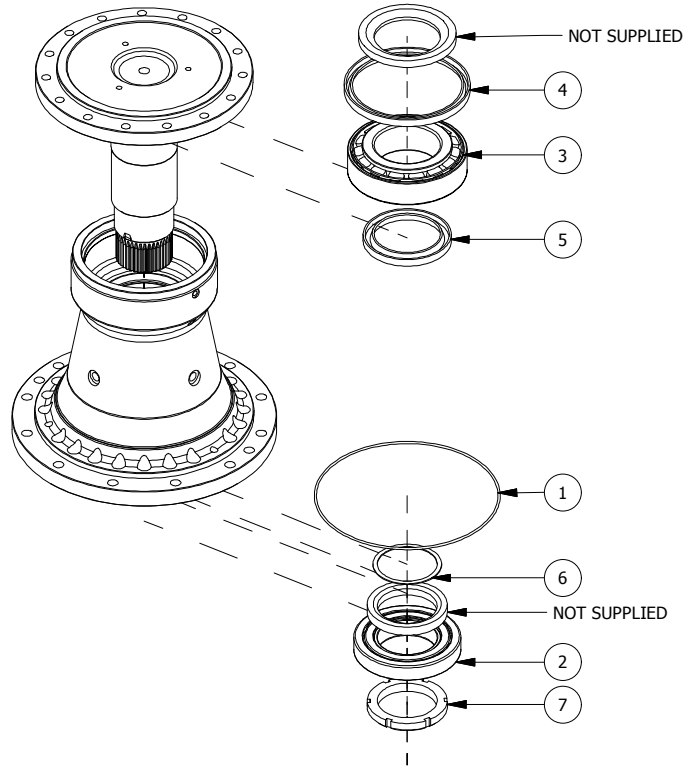
UNITS	PAPER A	SHEET 1 OF 1	R#	DATE	DESCRIPTION	DR	CK
-------	---------	--------------	----	------	-------------	----	----

TITLE	PTO NUM 8 1-3/8F 21SP CV X 1-3/4F 20SP X 35.43/52.75	FILE NO	AAA-054-00338.idw
-------	--	---------	-------------------

CONFIDENTIAL: THESE DRAWINGS AND COPIES THEREOF REMAIN THE PROPERTY OF JAY-LOR FABRICATING INC. ANY PERSON FOUND UNLAWFULLY USING, DISTRIBUTING, OR IN POSSESSION OF THE ABOVE WILL BE PROSECUTED

Parts List				Parts List			
ITEM	PART NUMBER	TITLE	QTY	ITEM	PART NUMBER	TITLE	QTY
1	AAB-007-00523	O-RING 3.53 X 291.69	2	8	AAB-007-00251	TAPERED ROLLER BRNG (32211)	1
2	AAB-007-00237	TAPERED ROLLER BRNG (32221)	1	9	AAB-007-00250	TAPERED ROLLER BEARING (30315)	1
3	AAB-007-00238	TAPER ROLLER BRNG (30219)	1	10	AAB-007-00645	SHIM KIT 85.3 x 99.7	1
4	AAB-007-00239	OIL SEAL A 180X200X15 DIN 3760 - NB	1	11	AAB-007-00258	INTERNAL CIRCLIP 100MM	2
5	AAB-007-00242	OIL SEAL A 105X140X12 DIN 3760 - NB	1	12	AAB-007-00408	O-RING 3.53 X 329.79	1
6	AAB-007-00404	SHIM KIT 95 X 109	1	13	AAB-007-00523	O-RING 3.53 X 291.69	2
7	AAB-007-00244	RING NUT	1	14	AAB-007-00698	SHIM KIT 140.3MM X 159.6MM	1

TO ORDER ALL PARTS AS A KIT, USE PART # AAA-007-00131



NOTE:
KITS AVAILABLE FOR:

1. COMPLETE PLANETARY REDUCTION ASSEMBLY
2. INPUT AND OUTPUT SHAFT SEALS

ALL PARTS NOT IN KITS. PLEASE REFER TO
MANUFACTURER'S PART LIST IN GEARBOX SECTION

DRWN : LMV	TOLERANCES (UNLESS SPECIFIED OTHERWISE)	JAY•LOR Fabricating Inc
DATE : 1/5/2015		
MAT :	FRACTIONAL ± 1/16" DEC X.X ± 0.1" DEC X.XX ± 0.06" DEC X.XXX ± 0.031" ANGULAR ± 0.5°	

VIEW REP :	SHEET 1 OF 1	R#	DATE	DESCRIPTION	DR	CK
TITLE : KIT SEAL / BEARING 1602 / 1603				FILE NO : AAA-054-00197.idw		

CONFIDENTIAL: THESE DRAWINGS AND COPIES THEREOF REMAIN THE PROPERTY OF JAY-LOR FABRICATING INC. ANY PERSON FOUND UNLAWFULLY USING, DISTRIBUTING, OR IN POSSESSION OF THE ABOVE WILL BE PROSECUTED

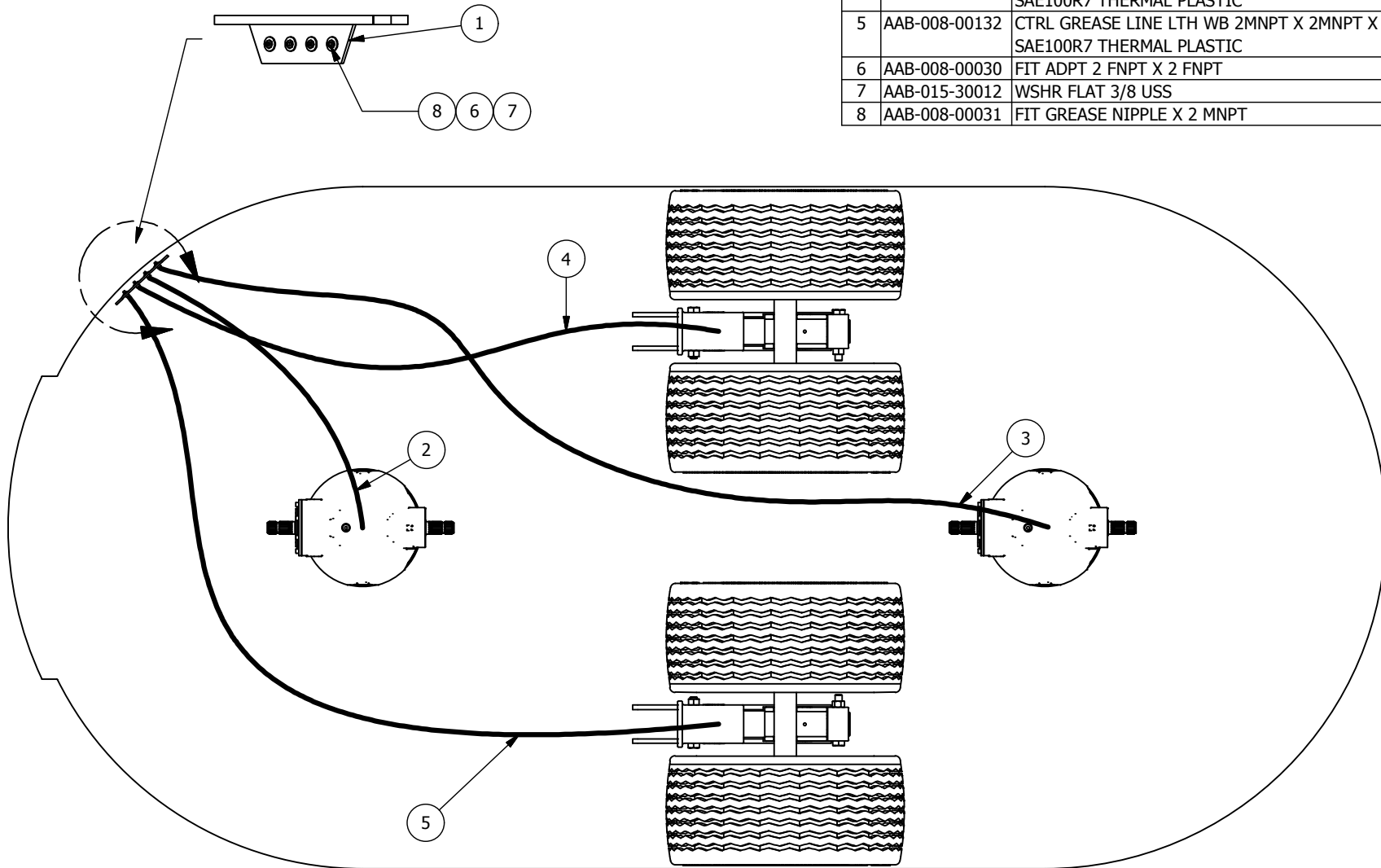
M. 008 – LUBE SYSTEMS

Drawing Number Reference Chart:

Part	Model			
	5600	5650	5750	5850
Grease Line Assembly	AAA-054-00139			
Planetary Gearbox Lube Assembly	AAA-054-00141			

Parts List

ITE	PART NUMBER	TITLE	QTY
1	AAA-001-01391	CENTRAL GREASE PLATE TWINS 1/4T	1
2	AAB-008-00129	CTRL GREASE LINE FRT GRBX 2 MNPT X 2MNPT X 138L / SAE100R7 THERMAL PLASTIC	1
3	AAB-008-00130	CTRL GREASE LINE REAR GRBX 2MNPT X 2MNPT X 258L / SAE100R7 THERMAL PLASTIC	1
4	AAB-008-00131	CTRL GREASE LINE RTH WB 2MNPT X 2MNPT X 198L / SAE100R7 THERMAL PLASTIC	1
5	AAB-008-00132	CTRL GREASE LINE LTH WB 2MNPT X 2MNPT X 234L SAE100R7 THERMAL PLASTIC	1
6	AAB-008-00030	FIT ADPT 2 FNPT X 2 FNPT	4
7	AAB-015-30012	WSHR FLAT 3/8 USS	4
8	AAB-008-00031	FIT GREASE NIPPLE X 2 MNPT	4



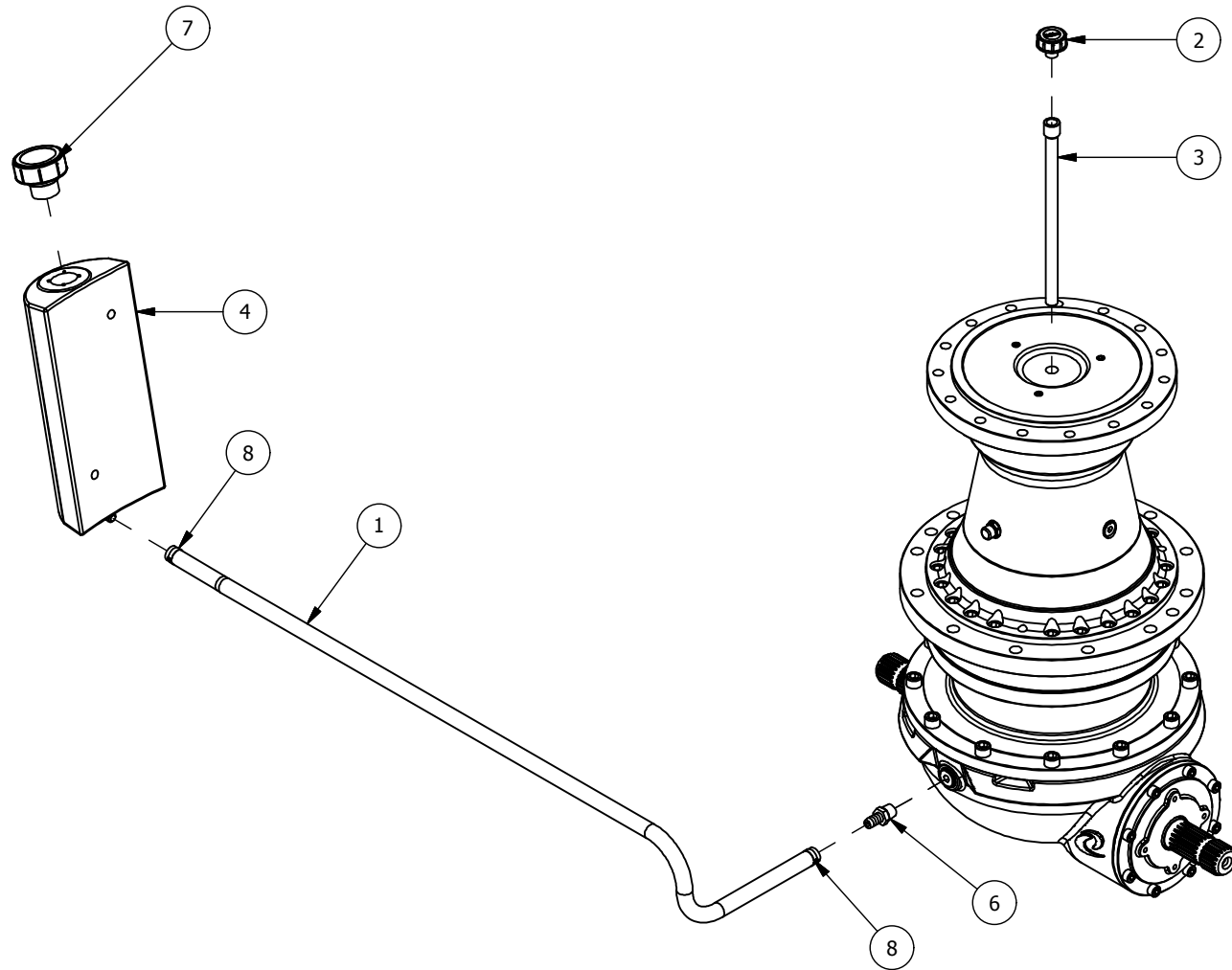
NOTE: ROUTING OF LINES IS NOT PROPERLY REPRESENTED IN THIS DRAWING

DRWN : Bcrawford	TOLERANCES (UNLESS SPECIFIED OTHERWISE) FRACTIONAL ± 1/16" DEC X.X ± 0.1" DEC X.XX ± 0.06" DEC X.XXX ± 0.031" ANGULAR ± 0.5°	JAY•LOR® Fabricating Inc
DATE : 9/13/2013		
MAT :		

VIEW REP : Default	SHEET 1 OF 1	R#	DATE	DESCRIPTION	DR	CK
TITLE : CENTRAL GREASE LINE ASSEMBLY				FILE NO : AAA-054-00139.idw		

CONFIDENTIAL: THESE DRAWINGS AND COPIES THEREOF REMAIN THE PROPERTY OF JAY-LOR FABRICATING INC. ANY PERSON FOUND UNLAWFULLY USING, DISTRIBUTING, OR IN POSSESSION OF THE ABOVE WILL BE PROSECUTED

Parts List			
ITEM	PART NUMBER	TITLE	QTY
1	AAA-008-00092	5000 SERIES OIL RESERVOIR HOSE 1/2" X 120"L	1
2	AAB-008-00034	CAP BREATHER ACRYLIC RSVR	1
3	AAB-008-00124	STL BREATHER EXTENSION 12L (MALE 3/8G - 6 FNPT)	1
4	AAB-008-00125	GRBX RESERVOIR 5000 SERIES	1
5	AAB-008-00126	1/2" MPT X 1/2" BARB 90 DEGREE WHITE NYLON FITTING	1
6	AAB-008-00127	FIT 8 MNPT X 1/2 BARB	1
7	AAB-008-00137	BREATHER OPEN 40 MICRON 1-1/4 NPT	1
8	AAB-015-40024	CLAMP TWO EAR SIZE 22 (FOR 1/2" HOSE)	2

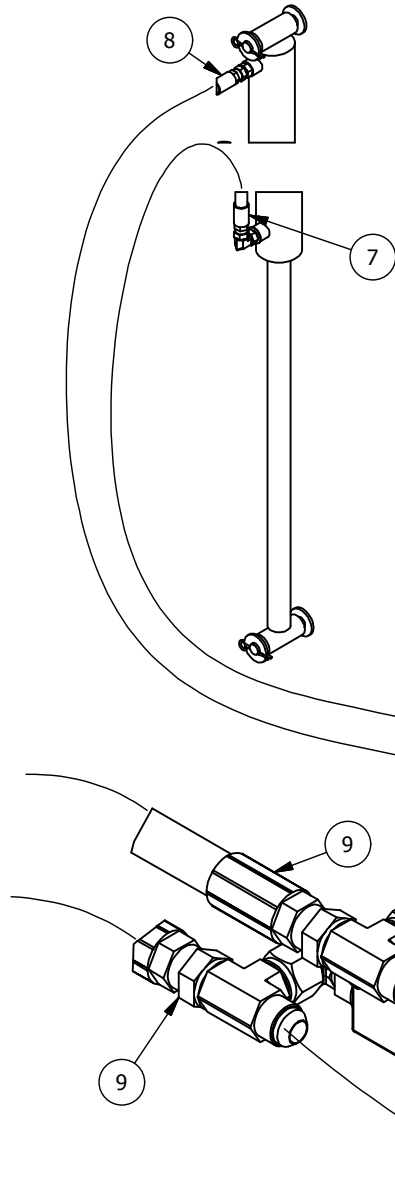


DRWN : DEnwright	TOLERANCES (UNLESS SPECIFIED OTHERWISE)	JAY•LOR Fabricating Inc
DATE : 6/15/2015	FRACTIONAL ± 1/16" DEC X.X ± 0.1" DEC X.XX ± 0.06" DEC X.XXX ± 0.031" ANGULAR ± 0.5°	
MAT :		CONFIDENTIAL: THESE DRAWINGS AND COPIES THEREOF REMAIN THE PROPERTY OF JAY-LOR FABRICATING INC. ANY PERSON FOUND UNLAWFULLY USING, DISTRIBUTING, OR IN POSSESSION OF THE ABOVE WILL BE PROSECUTED

VIEW REP :	SHEET 1 OF 1	R#	DATE	DESCRIPTION	DR	CK
TITLE : 5000 SERIES PLANETARY LUBE SYSTEM				FILE NO : AAA-054-00141.idw		

N. 009 – HYDRAULIC / PNEUMATIC PARTS**Drawing Number Reference Chart:**

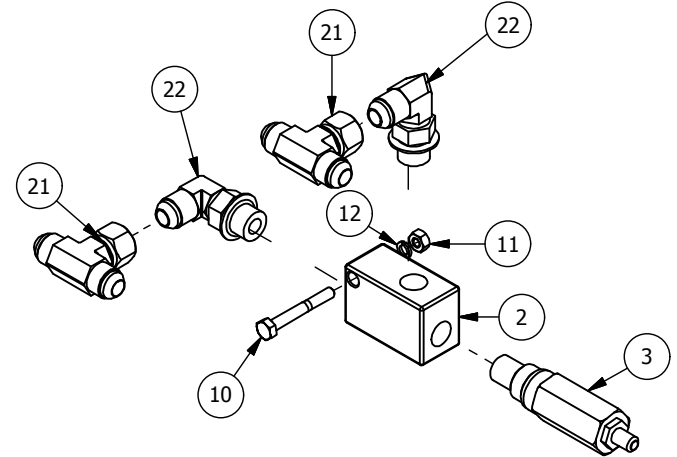
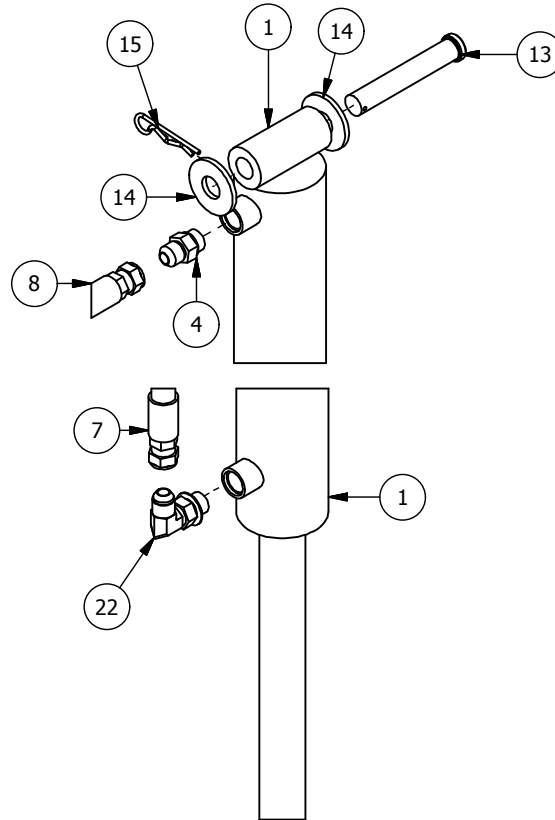
Part	Model			
	5600	5650	5750	5850
C-Side Hose Kit Rear Twin	AAA-054-00199			
C-Side Hose Kit Front Twin	AAA-054-00200			
Hose Kit for 36" Wing	AAA-054-00201			
Hose Kit for 36" Conveyor Front Right Door	AAA-054-00202			
Hose Kit for Dual Flat Drop Boot	AAA-054-00203			
Hose Kit for Dual Flat	AAA-054-00204			
Hose Kit for Flat Right Door	AAA-054-00205			
Hose Kit for Front Door	AAA-054-00206			
Hose Kit for Front Right Door	AAA-054-00207			
Hose Kit for Front Right Drop floor	AAA-054-00208			
Hose Kit for Low Profile (LP) Front Door	AAA-054-00209	NA	NA	NA
Hose Kit for Low Profile (LP) Front Right Door	AAA-054-00210	NA	NA	NA
Hose Kit for Low Profile (LP) Rear Left Door	AAA-054-00212	NA	NA	NA
Hose Kit for Rear Door	AAA-054-00218			
Hose Kit for Rear Left Door	AAA-054-00219			
Hose Kit for 6'41" Conveyor	AAA-054-00235			
Hose Kit for 6'60" Conveyor	AAA-054-00236			
Hose Kit for 6'72" Conveyor	AAA-054-00237			



NOTE : USE AAA-009-00433 - KIT HOSE & FIT FOR REAR TWIN. THIS KIT CONTAINS HOSES SPECIFIED IN THIS HOSE DRAWING

Parts List			
ITEM	PART NUMBER	TITLE	QTY
1	AAA-009-00214-P3	CYDR 30 STROKE (66 PIN TO PIN)	1
2	AAB-009-00698	FAJ BODY SAE 8 VALVE BLOCK	1
3	AAB-009-00697	RDDA LDN @ 300 PSI PRESS RELIEF	1
4	AAB-009-00087	FIT ADPT 8 MJIC X 8 MORB	4
7	AAB-009-00700	HOSE HYD 1/2DIA SINGLE BRAID 8 FJIC X 8 FJIC 225L	1
8	AAB-009-00699	HOSE HYD 1/2DIA SINGLE BRAID 8 FJIC X 8 FJIC 195L	1
9	AAB-009-00702	HOSE HYD 1/2DIA SINGLE BRAID 8 FJIC X 8 MORB 320L	2
10	AAB-015-10126	BOLT HEX 1/4 X 2 UNC GRD 5	1
11	AAB-015-20036	NUT HEX 1/4 UNC GRD 5	1
12	AAB-015-30038	WSHR LOCK 1/4	1
13	AAB-015-00147	PIN PIVOT 3/4 X 4-1/2	2
14	AAB-015-30015	WSHR FLAT 3/4 USS	4
15	AAB-001-00019	PIN HTCH CLIP 1/8 X 2-9/16	2
21	AAB-009-00506	FIT TEE 8 MJIC x 8 MJIC x 8 FJIC SWIVEL	2
22	AAB-009-00076	FIT 90DEG 8 MJIC X ADJUST 8 MORB	3

*C-SIDE HOSE KIT FOR REAR TWINS AVAILABLE AS PART # AAA-009-00436



NOTE : MOUNT VALVE BLOCK ON FRT OF STRAIN PLATE ON OPOSITE SIDE AS C-SIDE DISCHARGE WITH PRESS RELIEF VALVE FACING TOWARDS MACHINE CENTER

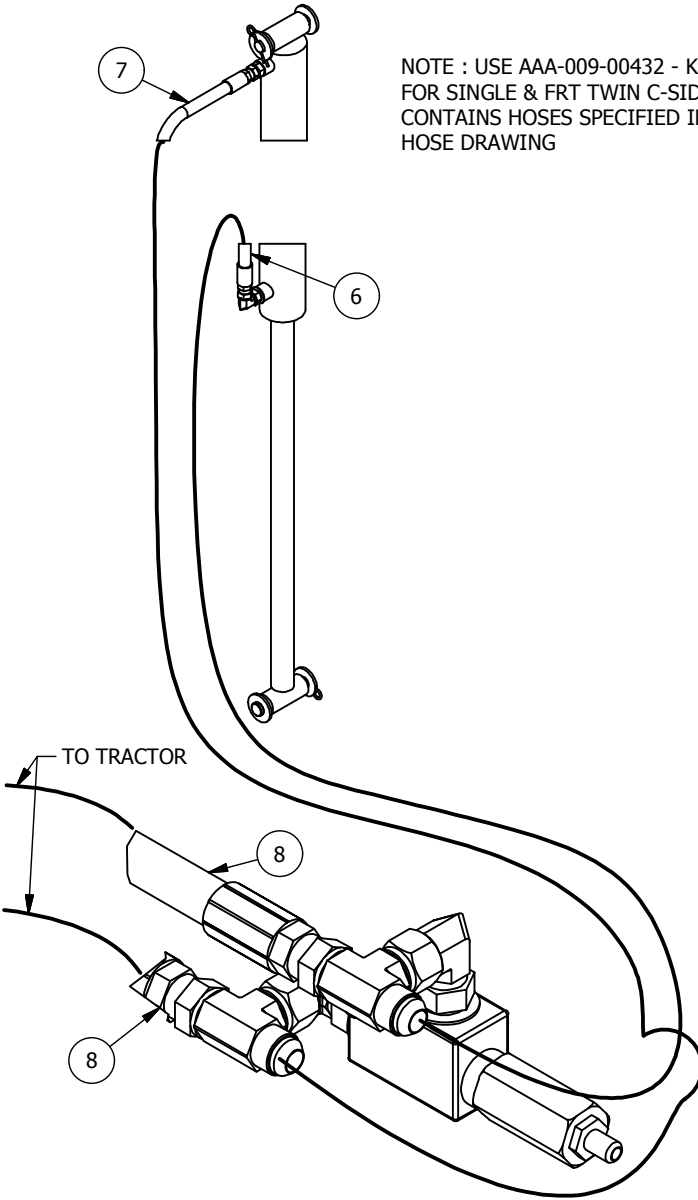
DRWN : DEnwright	TOLERANCES (UNLESS SPECIFIED OTHERWISE)	
DATE : 1/6/2015	FRACTIONAL ± 1/16"	
	DEC X.X ± 0.1"	
	DEC X.XXX ± 0.06"	
MAT :	DEC X.XXX ± 0.031"	
	ANGULAR ± 0.5°	

CONFIDENTIAL: THESE DRAWINGS AND COPIES THEREOF REMAIN THE PROPERTY OF JAY-LOR FABRICATING INC. ANY PERSON FOUND UNLAWFULLY USING, DISTRIBUTING, OR IN POSSESSION OF THE ABOVE WILL BE PROSECUTED

Parts List

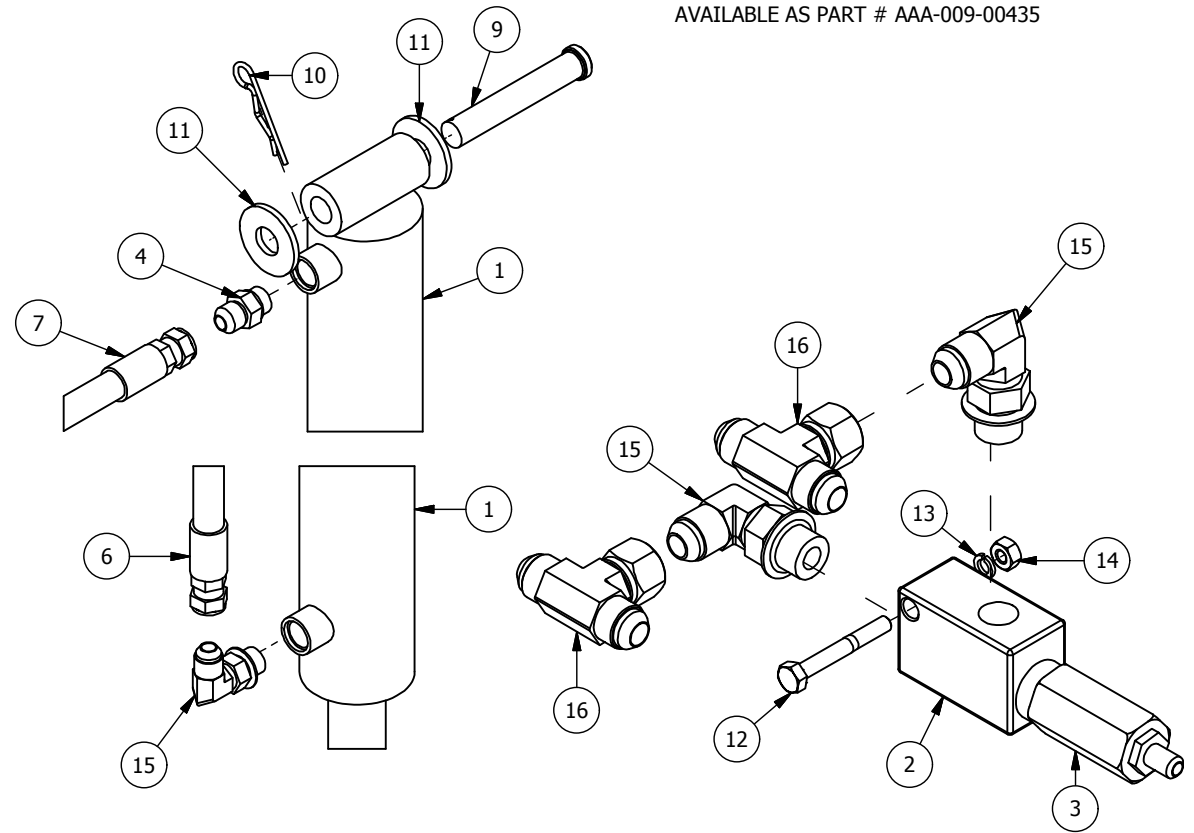
ITEM	PART NUMBER	TITLE	QTY
1	AAA-009-00214-P3	CYDR 30 STROKE (66 PIN TO PIN)	1
2	AAB-009-00698	FAJ BODY SAE 8 VALVE BLOCK	1
3	AAB-009-00697	RDDA LDN @ 300 PSI PRESS RELIEF	1
4	AAB-009-00087	FIT ADPT 8 MJIC X 8 MORB	4
6	AAB-009-00700	HOSE HYD 1/2DIA SINGLE BRAID 8 FJIC X 8 FJIC 225L	1
7	AAB-009-00699	HOSE HYD 1/2DIA SINGLE BRAID 8 FJIC X 8 FJIC 195L	1
8	AAB-009-00701	HOSE HYD 1/2DIA SINGLE BRAID 8 FJIC X 8 MORB 235L	2
9	AAB-015-00147	PIN PIVOT 3/4 X 4-1/2	2
10	AAB-001-00019	PIN HTCH CLIP 1/8 X 2-9/16	2
11	AAB-015-30015	WSHR FLAT 3/4 USS	4
12	AAB-015-10126	BOLT HEX 1/4 X 2 UNC GRD 5	1
13	AAB-015-30038	WSHR LOCK 1/4	1
14	AAB-015-20036	NUT HEX 1/4 UNC GRD 5	1
15	AAB-009-00076	FIT 90DEG 8 MJIC X ADJUST 8 MORB	3
16	AAB-009-00506	FIT TEE 8 MJIC x 8 MJIC x 8 FJIC SWIVEL	2

NOTE : USE AAA-009-00432 - KIT HOSE & FIT FOR SINGLE & FRT TWIN C-SIDE. THIS KIT CONTAINS HOSES SPECIFIED IN THIS HOSE DRAWING



NOTE : MOUNT VALVE BLOCK ON FRT OF STRAIN PLATE ON OPOSITE SIDE AS C-SIDE DISCHARGE WITH PRESS RELIEF VALVE FACING TOWARDS MACHINE CENTER

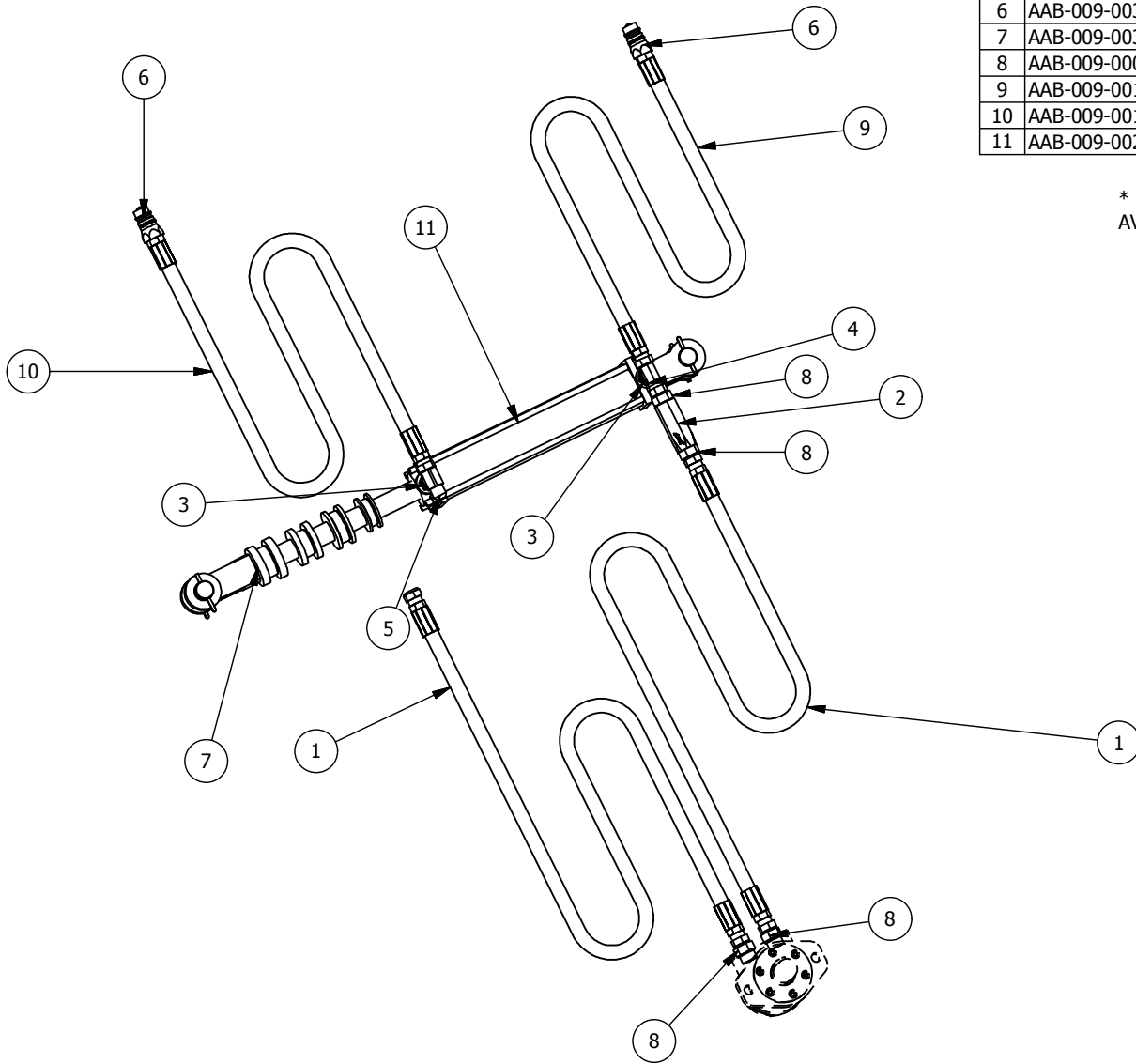
*C-SIDE HOSE KIT FOR SINGLES AND FRONT TWINS AVAILABLE AS PART # AAA-009-00435



DRWN : DEnwright	TOLERANCES (UNLESS SPECIFIED OTHERWISE)	JAY-LOR Fabricating Inc
DATE : 1/6/2015	FRACTIONAL ± 1/16"	
MAT :	DEC X.X ± 0.1"	
	DEC X.XXX ± 0.06"	
	DEC X.XXX ± 0.031"	
	ANGULAR ± 0.5°	

CONFIDENTIAL: THESE DRAWINGS AND COPIES THEREOF REMAIN THE PROPERTY OF JAY-LOR FABRICATING INC. ANY PERSON FOUND UNLAWFULLY USING, DISTRIBUTING, OR IN POSSESSION OF THE ABOVE WILL BE PROSECUTED

VIEW REP :	SHEET 1 OF 1	R#	DATE	DESCRIPTION	DR	CK
TITLE : C-SIDE HOSE KIT SINGLE & FRT TWIN - PARTS BOOK				FILE NO : AAA-054-00200.idw		



Parts List			
ITE	PART NUMBER	TITLE	QTY
1	AAB-009-00058	HOSE HYD 1/2DIA SINGLE BRAID 8 FJIC SWIVEL X 8 FJIC SWIVEL 63L	2
2	AAB-009-00321	VALVE CHECK 10 FORB X 10 FORB	1
3	AAB-009-00341	FIT ADPT 8 FJIC X 8 MORB	2
4	AAB-009-00029	FIT TEE 8 MJIC X 8 FJIC X 8 MJIC	1
5	AAB-009-00340	FIT TEE 8 MJIC X 8 MJIC X 8MJIC	1
6	AAB-009-00322	FIT 10 MQDC X 8 FORB	2
7	AAB-009-00314	LOCK COLLAR SET	1
8	AAB-009-00080	FIT ADPT 8 MJIC X 10 MORB	4
9	AAB-009-00130	HOSE HYD 1/2DIA SINGLE BRAID 8 FJIC SWIVEL X 8 MORB 136L	1
10	AAB-009-00129	HOSE HYD 1/2DIA SINGLE BRAID 8 FJIC SWIVEL X 8 MORB 152L	1
11	AAB-009-00237	HYD CYL 10" STROKE X 2" BORE	1

* 3 FT CONVEYOR HYDRAULIC AND HOSE KIT
AVAILABLE AS PART # AAA-009-00053

DR	GM	TOLERANCES (UNLESS SPECIFIED OTHERWISE) FRACTIONAL ± 1/16" DEC X.X ± 0.1" DEC X.XX ± 0.06" DEC X.XXX ± 0.031" ANGULAR ± 0.5°	JAY•LOR Fabricating Inc
DAT	1/6/2015		
MAT			

UNITS	PAPER A	SHEET 1 OF 1	R#	DATE	DESCRIPTION	DR	CK
-------	---------	--------------	----	------	-------------	----	----

TITLE KIT HYD HOSE AND FIT FRT RTH 3FT CNVR (SINGLE T-SERIES MODEL) - PARTS BOOK

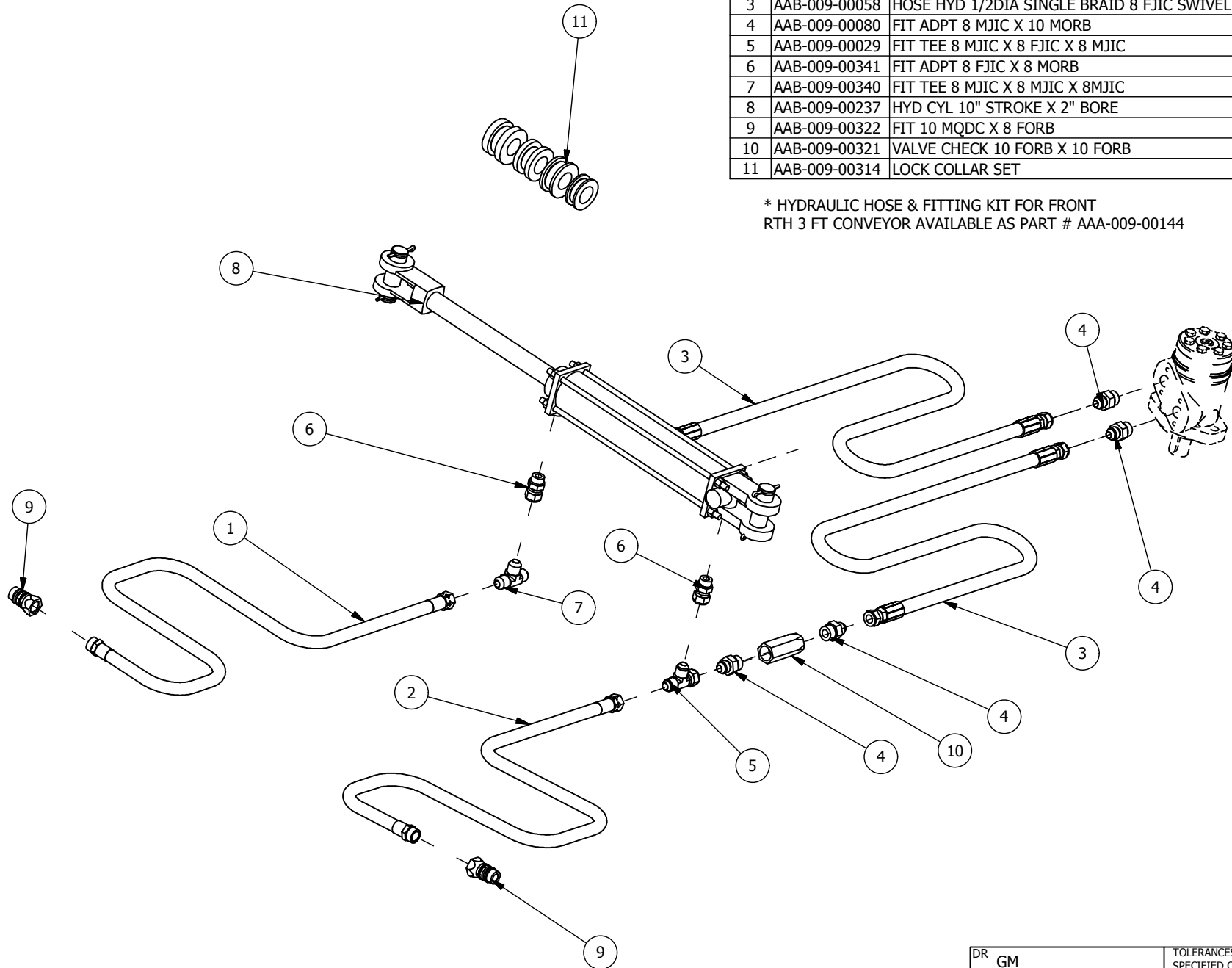
FILE NO AAA-054-00201.idw

CONFIDENTIAL: THESE DRAWINGS AND COPIES THEREOF REMAIN THE PROPERTY OF JAY-LOR FABRICATING INC. ANY PERSON FOUND UNLAWFULLY USING, DISTRIBUTING, OR IN POSSESSION OF THE ABOVE WILL BE PROSECUTED

Parts List

ITEM	PART NUMBER	TITLE	QTY
1	AAA-009-00255	HOSE HYD 1/2DIA SINGLE BRAID 8 MORB X 8 FJIC 240L 3000PSI	1
2	AAA-009-00259	HOSE HYD 1/2DIA SINGLE BRAID 8 MORB X 8 FJIC 224L 3000PSI	1
3	AAB-009-00058	HOSE HYD 1/2DIA SINGLE BRAID 8 FJIC SWIVEL X 8 FJIC SWIVEL 63L	2
4	AAB-009-00080	FIT ADPT 8 MJIC X 10 MORB	4
5	AAB-009-00029	FIT TEE 8 MJIC X 8 FJIC X 8 MJIC	1
6	AAB-009-00341	FIT ADPT 8 FJIC X 8 MORB	2
7	AAB-009-00340	FIT TEE 8 MJIC X 8 MJIC X 8MJIC	1
8	AAB-009-00237	HYD CYL 10" STROKE X 2" BORE	1
9	AAB-009-00322	FIT 10 MQDC X 8 FORB	2
10	AAB-009-00321	VALVE CHECK 10 FORB X 10 FORB	1
11	AAB-009-00314	LOCK COLLAR SET	1

* HYDRAULIC HOSE & FITTING KIT FOR FRONT
RTH 3 FT CONVEYOR AVAILABLE AS PART # AAA-009-00144



DR	GM	TOLERANCES (UNLESS SPECIFIED OTHERWISE) FRACTIONAL ± 1/16" DEC X.X ± 0.1" DEC X.XX ± 0.06" DEC X.XXX ± 0.031" ANGULAR ± 0.5°	JAY•LOR Fabricating Inc
DATE	1/6/2015		
MAT			

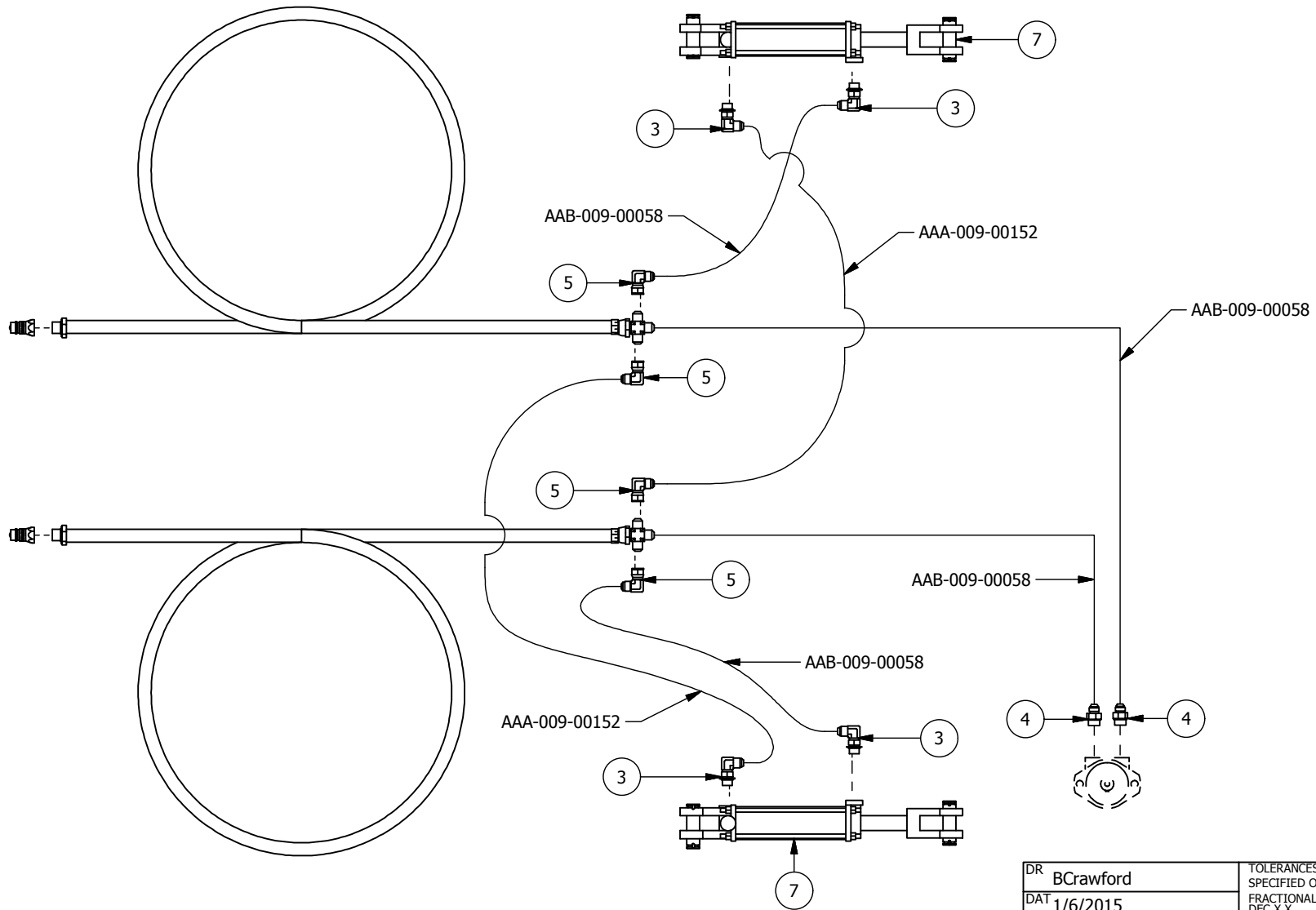
UNITS	PAPER A	SHEET 1 OF 1	R#	DATE	DESCRIPTION	DR	CK
-------	---------	--------------	----	------	-------------	----	----

TITLE KIT HYD HOSE AND FIT FRT RTH 3FT CNVR - PARTS BOOK FILE NO AAA-054-00202.idw

CONFIDENTIAL: THESE DRAWINGS AND COPIES THEREOF REMAIN THE PROPERTY OF JAY-LOR FABRICATING INC. ANY PERSON FOUND UNLAWFULLY USING, DISTRIBUTING, OR IN POSSESSION OF THE ABOVE WILL BE PROSECUTED

HYDRAULIC HOSE AND FITTING KIT FOR DUAL CONVEYOR
 DROP BOOT AVAILABLE AS KIT # AAA-009-00161

Parts List			
ITEM	PART NUMBER	TITLE	QTY
1	AAA-009-00152	HOSE HYD 1/2DIA SINGLE BRAID 8 FJIC SWIVEL X 8 FJIC SWIVEL 60L	2
2	AAB-009-00058	HOSE HYD 1/2DIA SINGLE BRAID 8 FJIC SWIVEL X 8 FJIC SWIVEL 63L	4
3	AAB-009-00076	FIT 90DEG 8 MJIC X ADJUST 8 MORB	4
4	AAB-009-00080	FIT ADPT 8 MJIC X 10 MORB	2
5	AAB-009-00088	FIT 90DEG 8 MJIC X 8 FJIC SWIVEL	4
6	AAB-009-00133	HOSE HYD 1/2DIA SINGLE BRAID 8 MORB X 8 FJIC X 180L	2
7	AAB-009-00230	HYD CYDR 6IN STROKE X 2IN BORE	2
8	AAB-009-00322	FIT 10 MQDC X 8 FORB	2
9	AAB-009-00326	FIT CROSS 8 MJIC X 8 MJIC X 8 MJIC X 8 MJIC	2

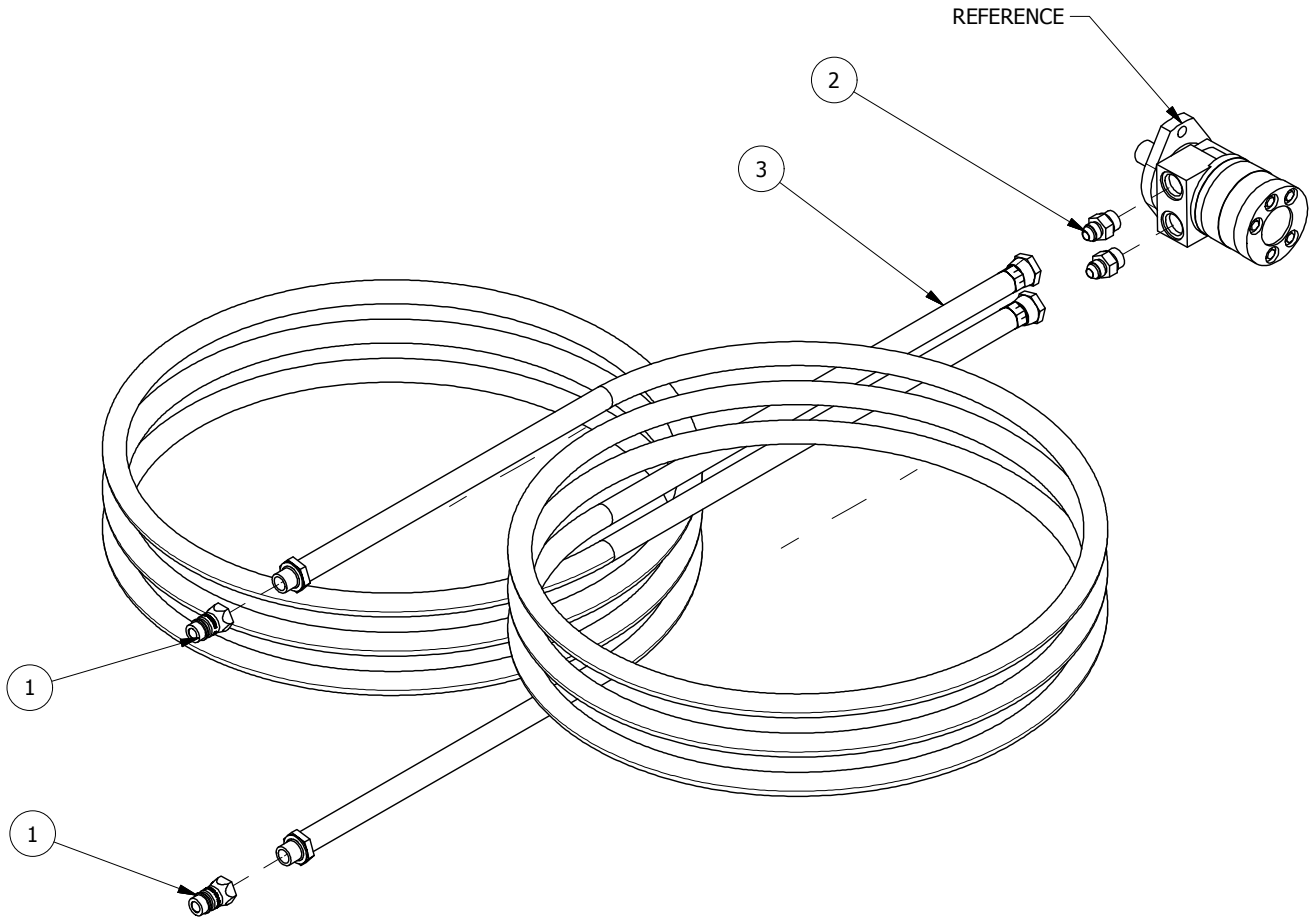


DR	BCrawford	TOLERANCES (UNLESS SPECIFIED OTHERWISE) FRACTIONAL ± 1/16" DEC X.X ± 0.1" DEC X.XX ± 0.06" DEC X.XXX ± 0.031" ANGULAR ± 0.5°
DAT	1/6/2015	
MAT		



Parts List			
ITEM	PART NUMBER	TITLE	QTY
1	AAB-009-00322	FIT 10 MQDC X 8 FORB	2
2	AAB-009-00080	FIT ADPT 8 MJIC X 10 MORB	2
3	AAB-009-00133	HOSE HYD 1/2DIA SINGLE BRAID 8 MORB X 8 FJIC X 180L	2

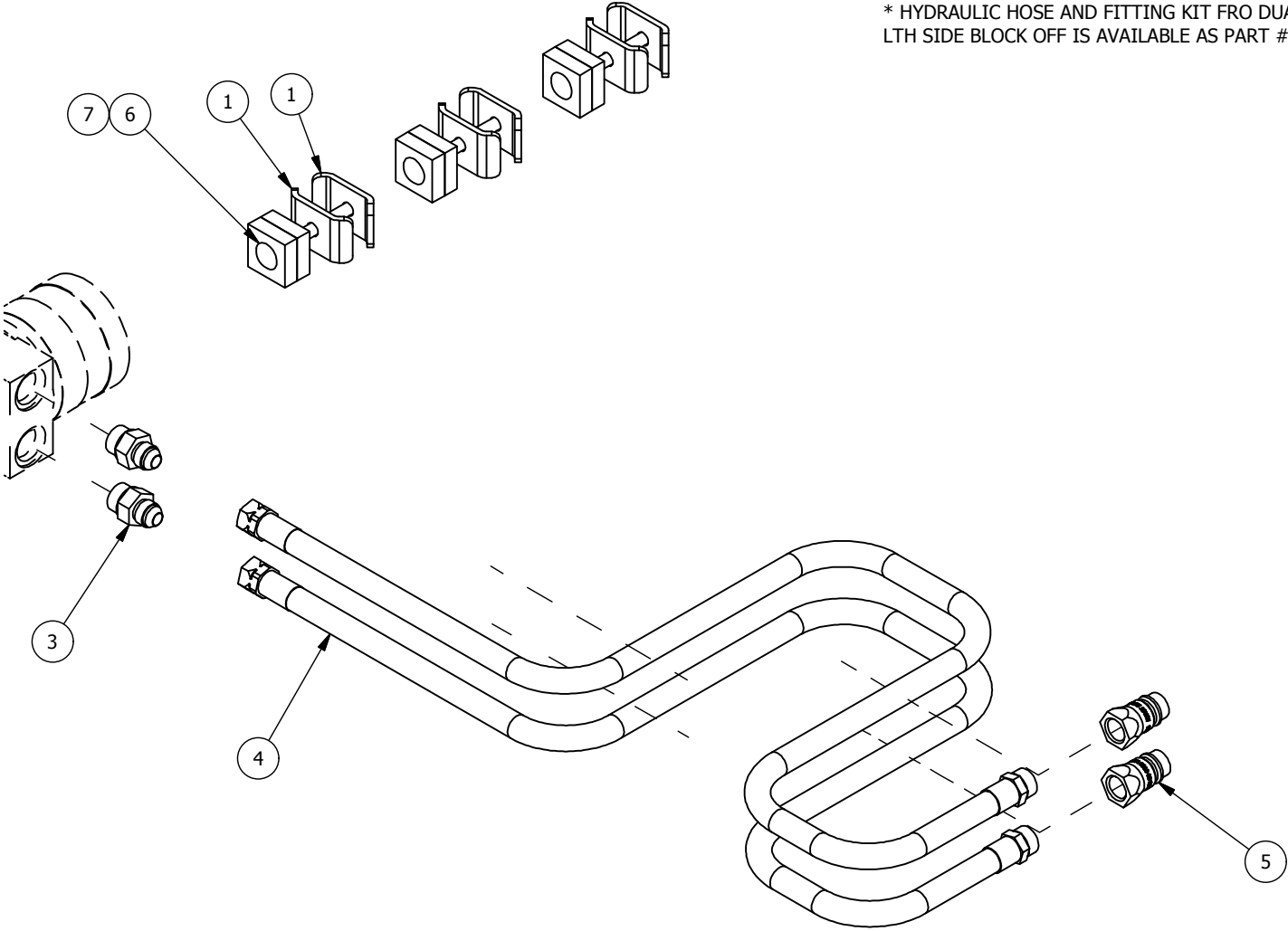
* HYDRAULIC HOSE AND FITTING KIT FOR DUAL FLAT CONVEYOR AVAILABLE AS PART # AAA-009-00098



UNITS	PAPER A	SHEET 1 OF 1	R#	DATE	DESCRIPTION	DR	CK	DR LMV DAT 1/6/2015 MAT	TOLERANCES (UNLESS SPECIFIED OTHERWISE) FRACTIONAL ± 1/16" DEC X.X ± 0.1" DEC X.XX ± 0.06" DEC X.XXX ± 0.031" ANGULAR ± 0.5°	JAY•LOR® Fabricating Inc
TITLE KIT HYD HOSE AND FIT DUAL FLAT CNVR - PARTS BOOK						FILE NO AAA-054-00204.idw		CONFIDENTIAL: THESE DRAWINGS AND COPIES THEREOF REMAIN THE PROPERTY OF JAY-LOR FABRICATING INC. ANY PERSON FOUND UNLAWFULLY USING, DISTRIBUTING, OR IN POSSESSION OF THE ABOVE WILL BE PROSECUTED		

Parts List			
ITEM	PART NUMBER	TITLE	QTY
1	AAA-002-00343	HYD HOSE CLIP	6
2	AAA-006-00223	PLASTIC SPCR 1/2T	6
3	AAB-009-00080	FIT ADPT 8 MJIC X 10 MORB	2
4	AAA-009-00255	HOSE HYD 1/2DIA SINGLE BRAID 8 MORB X 8 FJIC 240L 3000PSI	2
5	AAB-009-00322	FIT 10 MQDC X 8 FORB	2
6	AAB-015-10062	BOLT CARRIAGE 3/8 X 4 UNC GRD 2	3
7	AAB-015-20017	NUT HEX 3/8 UNC GRD 2	3

* HYDRAULIC HOSE AND FITTING KIT FRO DUAL FLAT CONVEYOR WITH LTH SIDE BLOCK OFF IS AVAILABLE AS PART # AAA-009-00163



DR	LMV	TOLERANCES (UNLESS SPECIFIED OTHERWISE) FRACTIONAL ± 1/16" DEC X.X ± 0.1" DEC X.XX ± 0.06" DEC X.XXX ± 0.031" ANGULAR ± 0.5°	JAY-LOR Fabricating Inc
DAT	1/7/2015		
MAT			

UNITS	PAPER A	SHEET 1 OF 1	R#	DATE	DESCRIPTION	DR	CK
-------	---------	--------------	----	------	-------------	----	----

TITLE KIT HYD HOSE AND FIT DUAL FLAT CNVR WITH LTH SIDE BLOCK OFF - PARTS BOOK

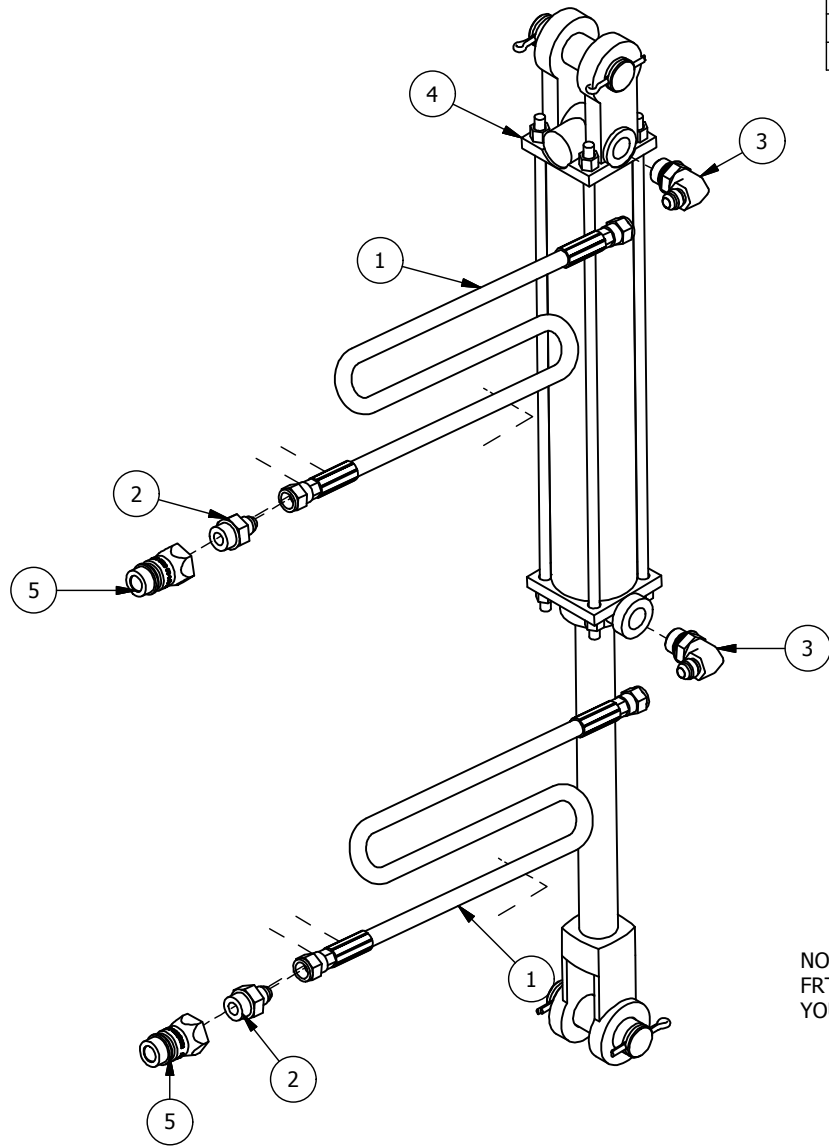
FILE NO AAA-054-00205.idw

CONFIDENTIAL: THESE DRAWINGS AND COPIES THEREOF REMAIN THE PROPERTY OF JAY-LOR FABRICATING INC. ANY PERSON FOUND UNLAWFULLY USING, DISTRIBUTING, OR IN POSSESSION OF THE ABOVE WILL BE PROSECUTED

Parts List

ITEM	PART NUMBER	TITLE	QTY
3	AAB-009-00352	FIT 90DEG 6 MJIC X 8 MORB ADJ	2
1	AAB-009-00144	HOSE HYD 1/4DIA SINGLE BRAID 6 FJIC SWIVEL X 6 FJIC SWIVEL 150L	2
5	AAB-009-00322	FIT 10 MQDC X 8 FORB	2
2	AAB-009-00074	FIT ADPT 6 MJIC X 8 MORB	2
4	AAB-009-00330	HYD CYDR 12 STROKE	1

*HYDRAULIC HOSE AND FITTING KIT FOR FRONT DOOR SINGLE AND TWIN MIXERS AVAILABLE AS PART # AAA-009-00443



NOTE : INSTALL CYL SO THAT WHEN FACING FRT OF MACHINE PORTS AND HOSES ARE ON YOUR RTH SIDE

DRWN :	TOLERANCES (UNLESS SPECIFIED OTHERWISE)	JAY•LOR® Fabricating Inc
DATE : 1/8/2015	FRACTIONAL ± 1/16"	
MAT :	DEC X.X ± 0.1"	
	DEC X.XX ± 0.06"	
	DEC X.XXX ± 0.031"	
	ANGULAR ± 0.5°	

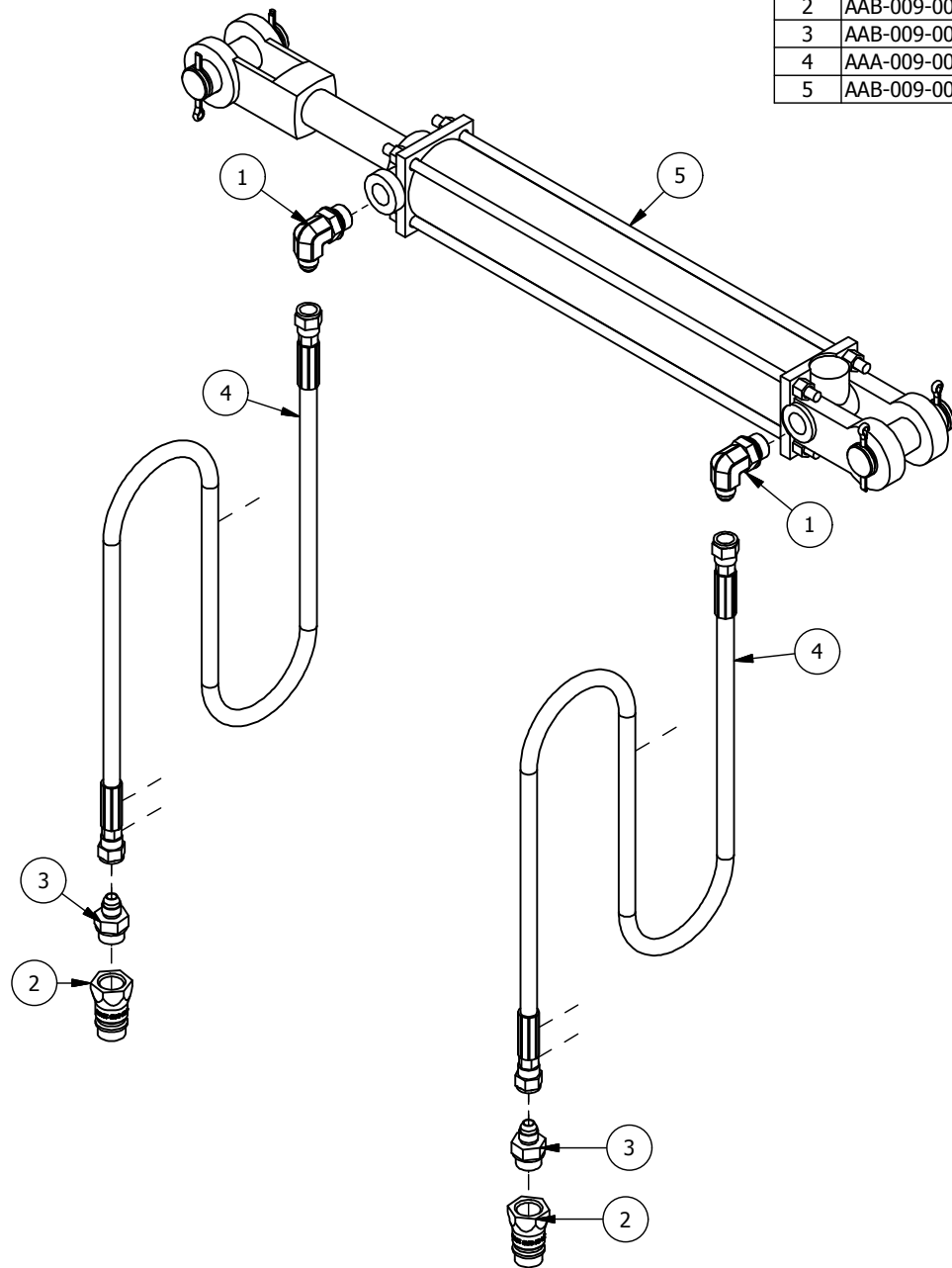
VIEW REP :	SHEET 1 OF 1	R#	DATE	DESCRIPTION	DR	CK
TITLE : KIT HOSE AND FIT / 12 INCH CYL FRT DOOR TWINS & SNGL 5000 - PARTS BOOK						

FILE NO : AAA-054-00206.idw

CONFIDENTIAL: THESE DRAWINGS AND COPIES THEREOF REMAIN THE PROPERTY OF JAY-LOR FABRICATING INC. ANY PERSON FOUND UNLAWFULLY USING, DISTRIBUTING, OR IN POSSESSION OF THE ABOVE WILL BE PROSECUTED

Parts List

ITEM	PART NUMBER	TITLE	QTY
1	AAB-009-00352	FIT 90DEG 6 MJIC X 8 MORB ADJ	2
2	AAB-009-00322	FIT 10 MQDC X 8 FORB	2
3	AAB-009-00074	FIT ADPT 6 MJIC X 8 MORB	2
4	AAA-009-00155	HOSE HYD 1/4DIA DOUBLE BRAID 6 FJIC SWIVEL X 6 FJIC SWIVEL 300L 3000PSI	2
5	AAB-009-00330	HYD CYDR 12 STROKE	1



* HYDRAULIC HOSE AND FITTING KIT FOR FRT RTH DOOR TWIN AND SINGLE MIXERS IS AVAILABLE AS PART # AAA-009-00442

NOTE : INSTALL CYL SO THAT PORTS ARE FACING OUTWARD AND NOT TOWARDS MACHINE

DRWN : BVV

DATE : 1/8/2015

MAT :

TOLERANCES (UNLESS SPECIFIED OTHERWISE)
 FRACTIONAL ± 1/16"
 DEC X.X ± 0.1"
 DEC X.XX ± 0.06"
 DEC X.XXX ± 0.031"
 ANGULAR ± 0.5°

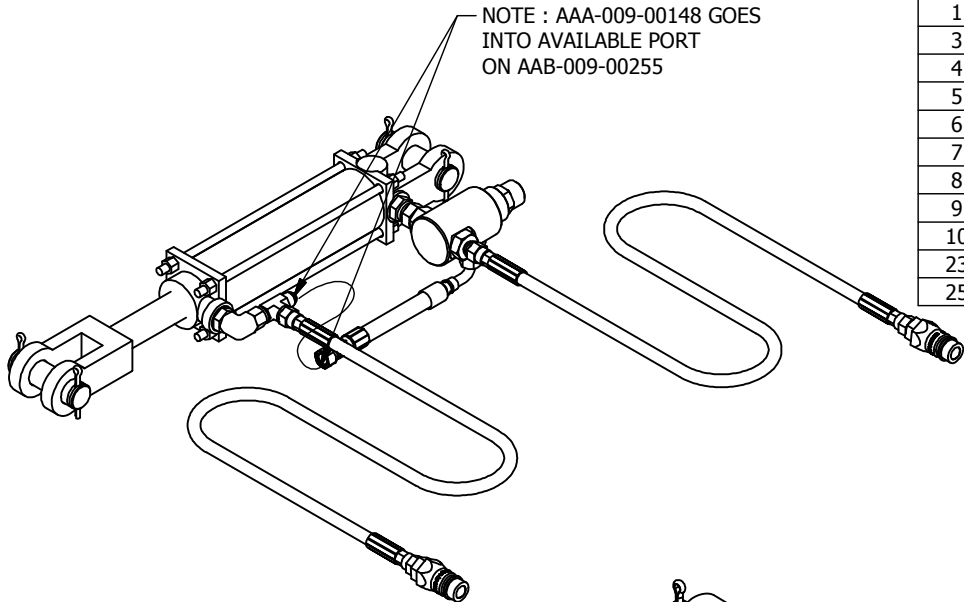


VIEW REP :	SHEET 1 OF 1	R#	DATE	DESCRIPTION	DR	CK
------------	--------------	----	------	-------------	----	----

TITLE : KIT HOSE & FIT / 12 INCH CYL FRT RTH DOOR TWIN & SNGL 5000 - PARTS BOOK

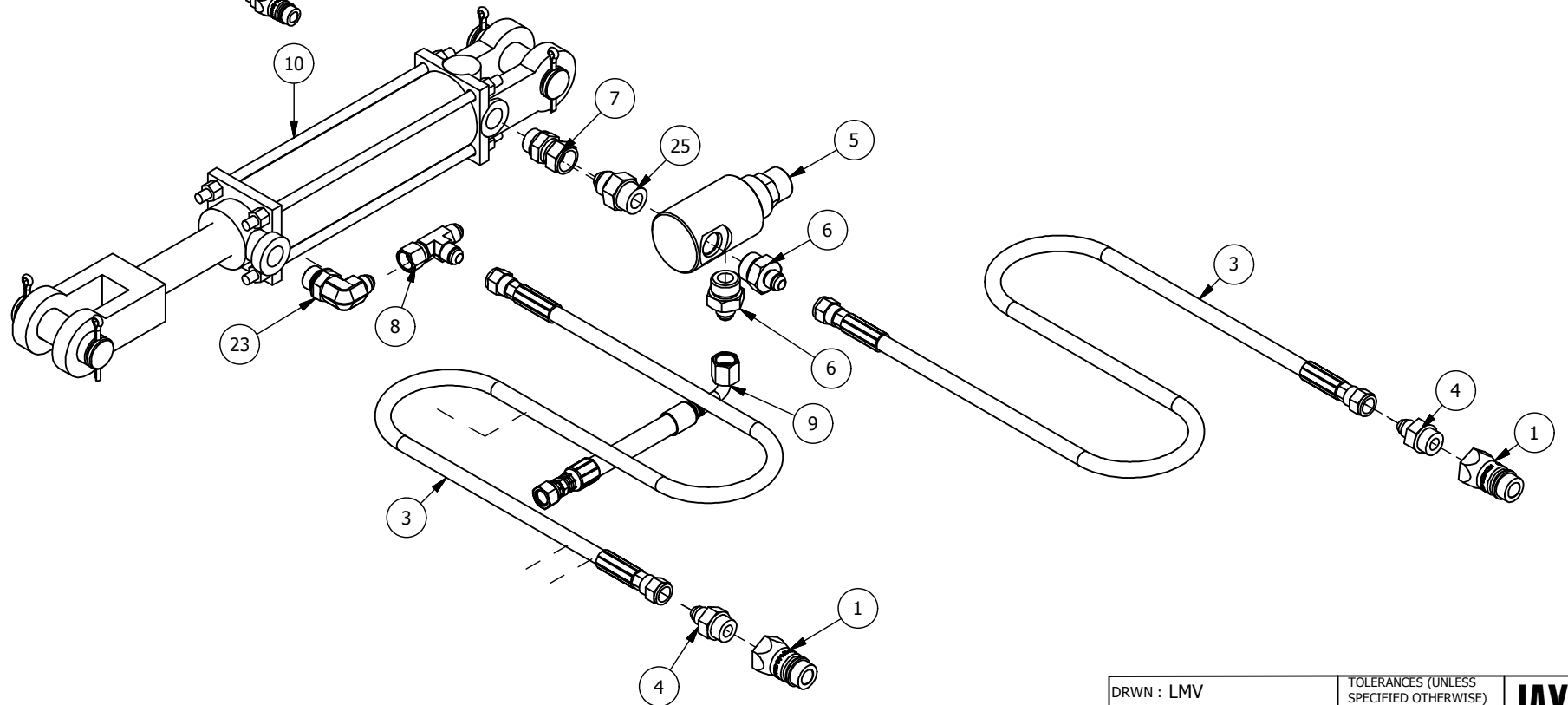
FILE NO : AAA-054-00207.idw

CONFIDENTIAL: THESE DRAWINGS AND COPIES THEREOF REMAIN THE PROPERTY OF JAY-LOR FABRICATING INC. ANY PERSON FOUND UNLAWFULLY USING, DISTRIBUTING, OR IN POSSESSION OF THE ABOVE WILL BE PROSECUTED



Parts List			
ITEM	PART NUMBER	TITLE	QTY
1	AAB-009-00322	FIT 10 MQDC X 8 FORB	2
3	AAA-009-00256	HOSE HYD 1/4DIA SINGLE BRAID 6 FJIC SWIVEL X 6 FJIC SWIVEL 230L	2
4	AAB-009-00074	FIT ADPT 6 MJIC X 8 MORB	2
5	AAB-009-00110	VALVE PRESSURE RELIEF	1
6	AAB-009-00253	FIT ADPT 6 MJIC X 10 MORB	2
7	AAB-009-00341	FIT ADPT 8 FJIC X 8 MORB	1
8	AAB-009-00255	FIT TEE 6 MJIC X 6 FJIC X 6 MJIC	1
9	AAA-009-00148	HOSE HYD 1/4DIA SINGLE BRAID 6 FJIC X 90DEG 6 FJIC 7L 3000PSI	1
10	AAB-009-00230	HYD CYDR 6IN STROKE X 2IN BORE	1
23	AAB-009-00352	FIT 90DEG 6 MJIC X 8 MORB ADJ	1
25	AAB-009-00080	FIT ADPT 8 MJIC X 10 MORB	1

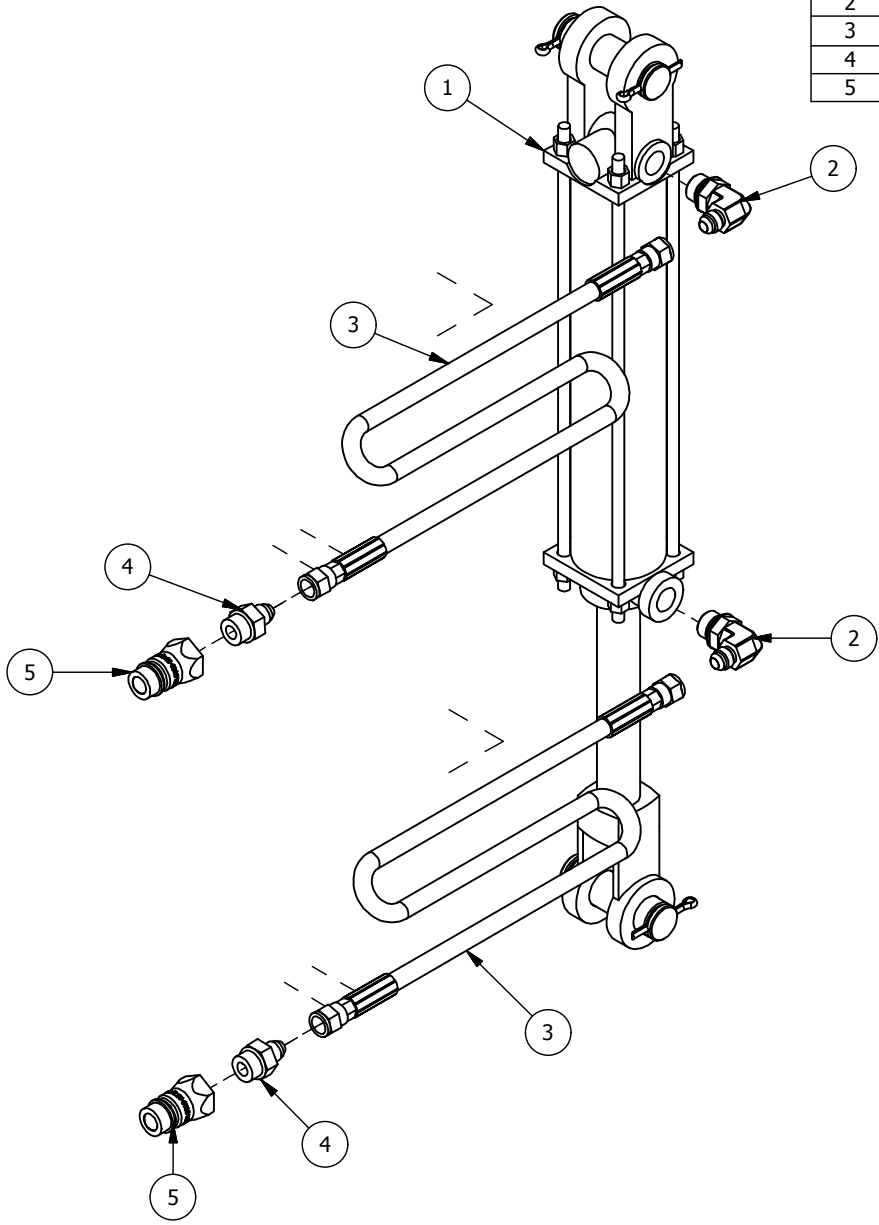
* HYDRAULIC HOSE AND FITTING KIT FOR FRT DROP FLOOR TWIN AND SINGLE MIXERS IS AVAILABLE AS PART # AAA-009-00441



VIEW REP :	SHEET 1 OF 1	R#	DATE	DESCRIPTION	DR	CK
TITLE : KIT HOSE & FIT / 6 INCH CYL FRT RTH DROP FLOOR TWIN & SNGL 5000 - PARTS BOOK				FILE NO : AAA-054-00208.idw		

DRWN : LMV	TOLERANCES (UNLESS SPECIFIED OTHERWISE) FRACTIONAL ± 1/16" DEC X.X ± 0.1" DEC X.XX ± 0.06" DEC X.XXX ± 0.031" ANGULAR ± 0.5°	
DATE : 1/8/2015		
MAT :		
<small>CONFIDENTIAL: THESE DRAWINGS AND COPIES THEREOF REMAIN THE PROPERTY OF JAY-LOR FABRICATING INC. ANY PERSON FOUND UNLAWFULLY USING, DISTRIBUTING, OR IN POSSESSION OF THE ABOVE WILL BE PROSECUTED</small>		

Parts List			
ITEM	PART NUMBER	TITLE	QTY
1	AAB-009-00237	HYD CYL 10" STROKE X 2" BORE	1
2	AAB-009-00352	FIT 90DEG 6 MJIC X 8 MORB ADJ	2
3	AAB-009-00144	HOSE HYD 1/4DIA SINGLE BRAID 6 FJIC SWIVEL X 6 FJIC SWIVEL 150L	2
4	AAB-009-00074	FIT ADPT 6 MJIC X 8 MORB	2
5	AAB-009-00322	FIT 10 MQDC X 8 FORB	2



* HYDRAULIC HOSE AND FITTING KIT FOR FRT DOOR LOW PROFILE MIXERS IS AVAILABLE AS KIT PART # AAA-009-00444

NOTE: INSTALL CYL SO THAT WHEN FACING FRT OF MACHINE PORTS AND HOSES ARE ON YOUR RTH SIDE

DRWN : DEnwright	TOLERANCES (UNLESS SPECIFIED OTHERWISE) FRACTIONAL ± 1/16" DEC X.X ± 0.1" DEC X.XX ± 0.06" DEC X.XXX ± 0.031" ANGULAR ± 0.5°	JAY•LOR Fabricating Inc
DATE : 1/8/2015		
MAT :		

VIEW REP :	SHEET 1 OF 1	R#	DATE	DESCRIPTION	DR	CK
------------	--------------	----	------	-------------	----	----

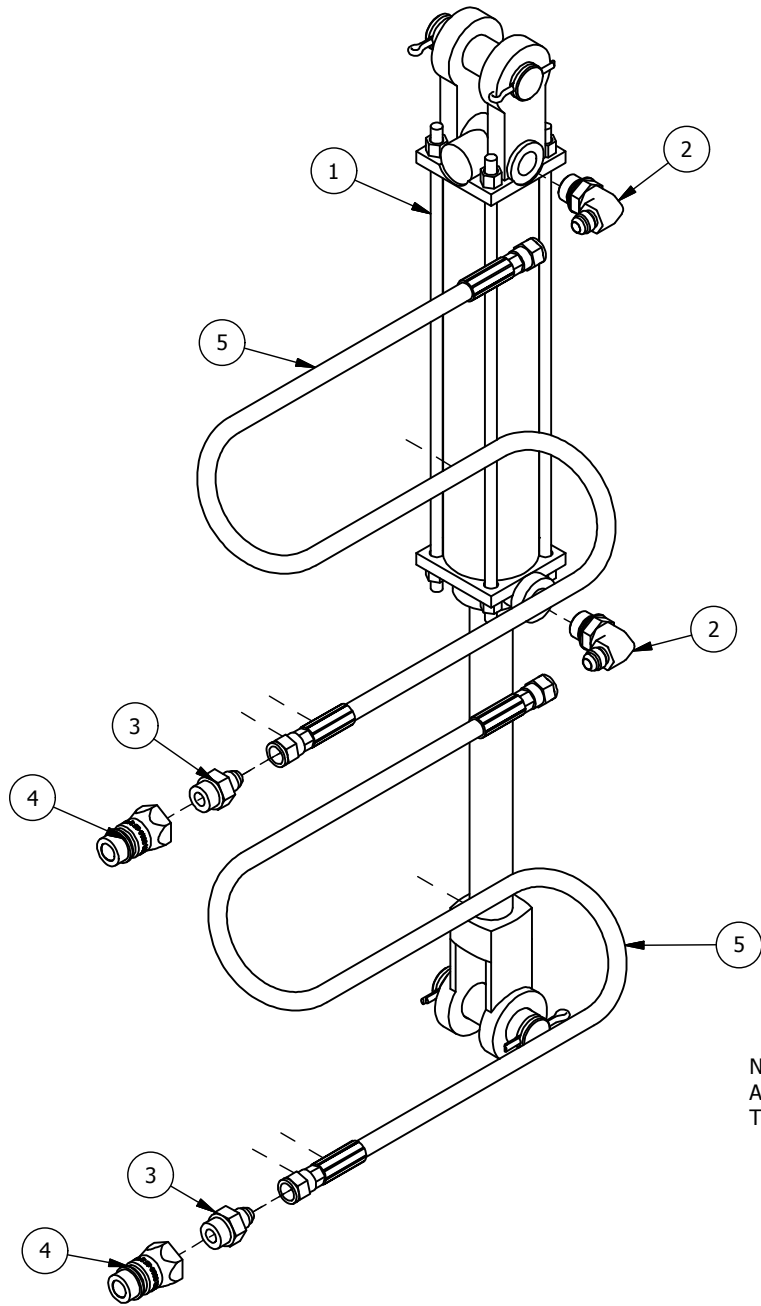
TITLE : KIT HOSE AND FIT / 10 INCH CYL FRT DOOR LP MACHINES - PARTS BOOK FILE NO : AAA-054-00209.idw

CONFIDENTIAL: THESE DRAWINGS AND COPIES THEREOF REMAIN THE PROPERTY OF JAY-LOR FABRICATING INC. ANY PERSON FOUND UNLAWFULLY USING, DISTRIBUTING, OR IN POSSESSION OF THE ABOVE WILL BE PROSECUTED

Parts List

ITEM	PART NUMBER	TITLE	QTY
1	AAB-009-00237	HYD CYL 10" STROKE X 2" BORE	1
2	AAB-009-00352	FIT 90DEG 6 MJIC X 8 MORB ADJ	2
3	AAB-009-00074	FIT ADPT 6 MJIC X 8 MORB	2
4	AAB-009-00322	FIT 10 MQDC X 8 FORB	2
5	AAA-009-00155	HOSE HYD 1/4DIA DOUBLE BRAID 6 FJIC SWIVEL X 6 FJIC SWIVEL 300L 3000PSI	2

* HYDRAULIC HOSE AND FITTING KIT FOR FRONT RTH DOOR ON LOW PROFILE SINGLE AND TWIN AUGER MACHINES IS AVAILABLE AS PART # AAA-009-00445



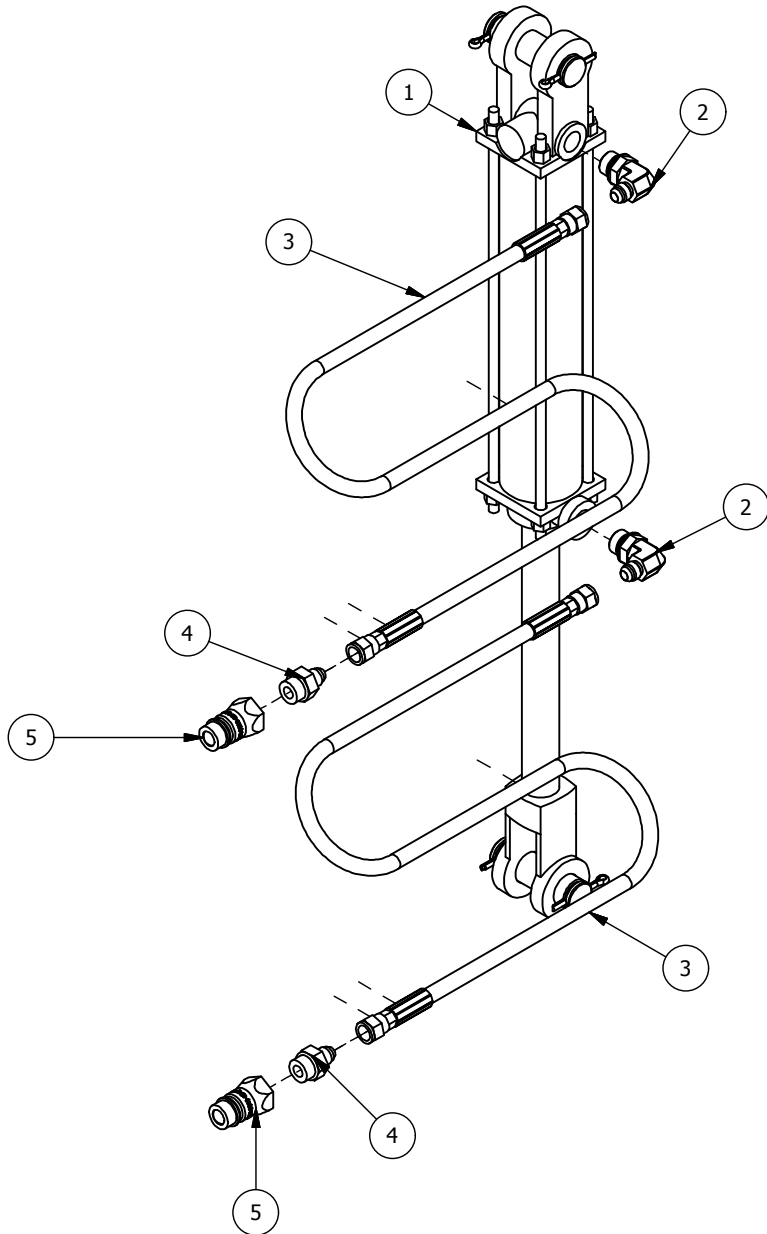
NOTE : INSTALL CYL SO THAT PORTS ARE FACING OUTWARD AND NOT TOWARDS MACHINE

DRWN : DEnwright	TOLERANCES (UNLESS SPECIFIED OTHERWISE) FRACTIONAL ± 1/16" DEC X.X ± 0.1" DEC X.XX ± 0.06" DEC X.XXX ± 0.031" ANGULAR ± 0.5°	JAY•LOR® Fabricating Inc
DATE : 1/9/2015		
MAT :		CONFIDENTIAL: THESE DRAWINGS AND COPIES THEREOF REMAIN THE PROPERTY OF JAY-LOR FABRICATING INC. ANY PERSON FOUND UNLAWFULLY USING, DISTRIBUTING, OR IN POSSESSION OF THE ABOVE WILL BE PROSECUTED

VIEW REP :	SHEET 1 OF 1	R#	DATE	DESCRIPTION	DR	CK
TITLE : KIT HOSE AND FIT / 10 INCH CYL FRT RTH DOOR LP MACHINES TWIN AND SNGL 5000 - PARTS BOOK				FILE NO : AAA-054-00210.idw		

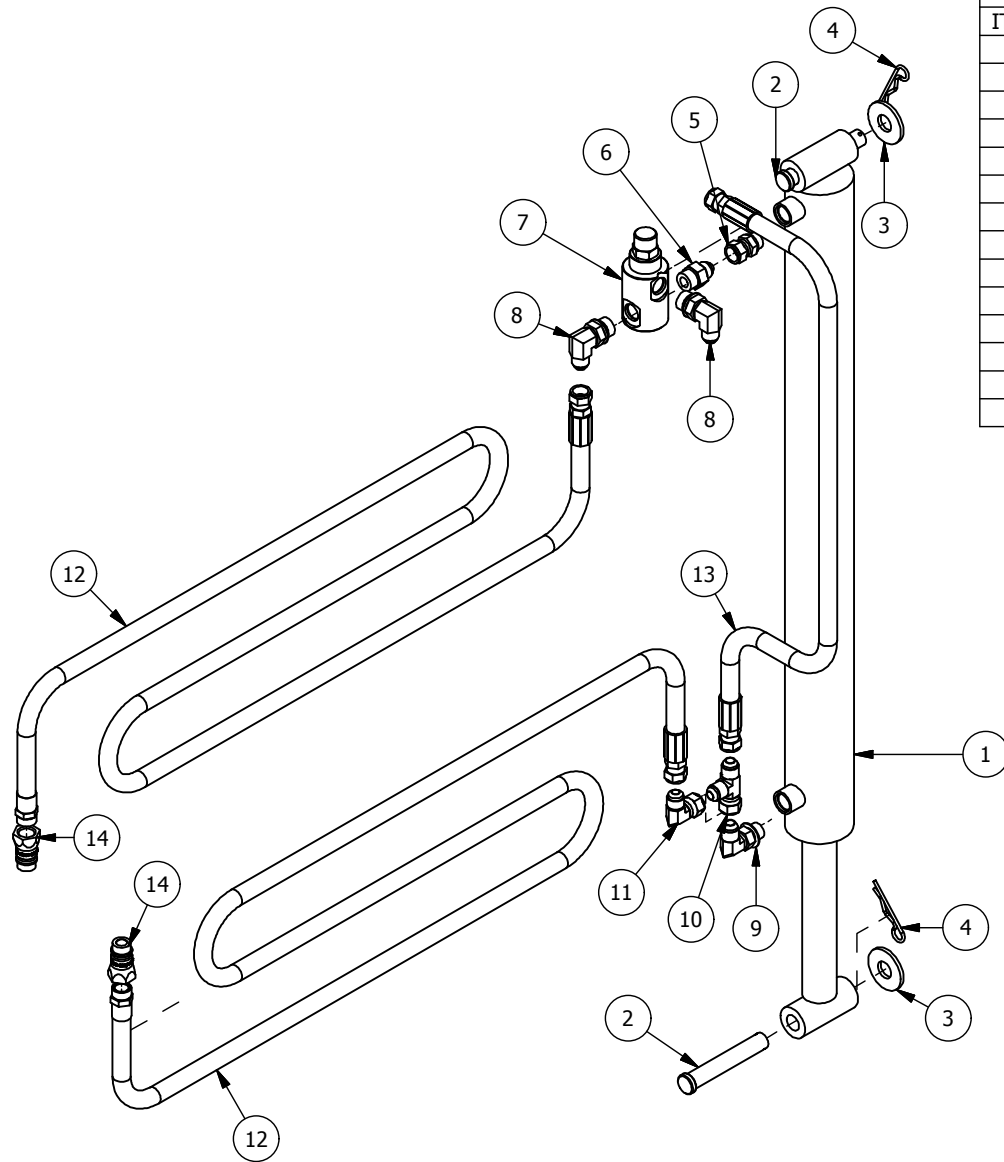
Parts List			
ITEM	PART NUMBER	TITLE	QTY
1	AAB-009-00237	HYD CYL 10" STROKE X 2" BORE	1
2	AAB-009-00352	FIT 90DEG 6 MJIC X 8 MORB ADJ	2
3	AAA-009-00257	HOSE HYD 1/4DIA SINGLE BRAID 6 FJIC SWIVEL X 6 FJIC SWIVEL 540L	2
4	AAB-009-00074	FIT ADPT 6 MJIC X 8 MORB	2
5	AAB-009-00322	FIT 10 MQDC X 8 FORB	2

* HYDRAULIC HOSE AND FITTING KIT FOR REAR LTH DOOR ON LOW PROFILE TWIN AUGER MACHINES IS AVAILABLE AS PART # AAA-009-00447



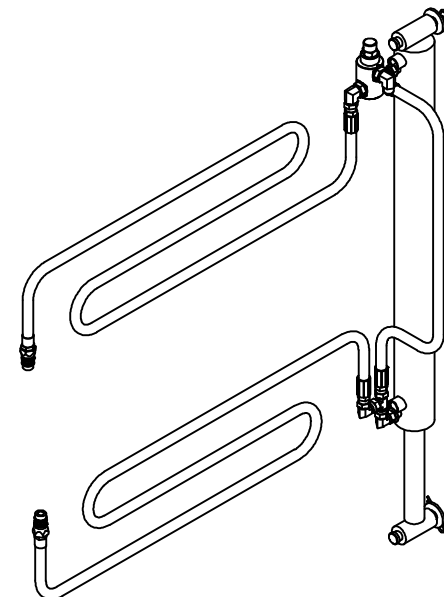
DRWN : DEnwright	TOLERANCES (UNLESS SPECIFIED OTHERWISE) FRACTIONAL ± 1/16" DEC X.X ± 0.1" DEC X.XX ± 0.06" DEC X.XXX ± 0.031" ANGULAR ± 0.5°	JAY•LOR Fabricating Inc
DATE : 1/12/2015		
MAT :	CONFIDENTIAL: THESE DRAWINGS AND COPIES THEREOF REMAIN THE PROPERTY OF JAY-LOR FABRICATING INC. ANY PERSON FOUND UNLAWFULLY USING, DISTRIBUTING, OR IN POSSESSION OF THE ABOVE WILL BE PROSECUTED	

VIEW REP :	SHEET 1 OF 1	R#	DATE	DESCRIPTION	DR	CK
TITLE : KIT HOSE AND FIT / 10 INCH CYL REAR LTH DOOR LP TWINS				FILE NO : AAA-054-00212.idw		



Parts List			
ITEM	PART NUMBER	TITLE	QTY
1	AAB-009-00320	CYDR 30 STROKE (66 PIN TO PIN)	1
2	AAB-015-00147	PIN PIVOT 3/4 X 4-1/2	2
3	AAB-015-30015	WSHR FLAT 3/4 USS	2
4	AAB-001-00019	PIN HTCH CLIP 1/8 X 2-9/16	2
5	AAB-009-00341	FIT ADPT 8 FJIC X 8 MORB	1
6	AAB-009-00080	FIT ADPT 8 MJIC X 10 MORB	1
7	AAB-009-00110	VALVE PRESSURE RELIEF	1
8	AAB-009-00099	FIT 90DEG 8 MJIC X 10 MORB ADJ	2
9	AAB-009-00076	FIT 90DEG 8 MJIC X ADJUST 8 MORB	1
10	AAB-009-00029	FIT TEE 8 MJIC X 8 FJIC X 8 MJIC	1
11	AAB-009-00088	FIT 90DEG 8 MJIC X 8 FJIC SWIVEL	1
12	AAB-009-00175	HOSE HYD 1/2DIA SINGLE BRAID 8 FJIC X 8 MORB 540L 3000PSI	2
13	AAA-009-00486	HOSE HYD 1/2DIA SINGLE BRAID 8 FJIC X 8 FJIC 24L 3000PSI	1
14	AAB-009-00322	FIT 10 MQDC X 8 FORB	2

* HYDRAULIC HOSE AND FITTING KIT FOR REAR DOOR OF TWIN AUGER MACHINES IS AVAILABLE AS PART # AAA-009-00437



NOTE : WHEN FACING REAR OF MACHINE PORTS ON HYD CYL SHOULD FACE THE LTH SIDE OF MACHINE

DRWN : DEnwright	TOLERANCES (UNLESS SPECIFIED OTHERWISE)	JAY-LOR[®] Fabricating Inc
DATE : 1/12/2015	FRACTIONAL ± 1/16" DEC X.X ± 0.1" DEC X.XX ± 0.06" DEC X.XXX ± 0.031" ANGULAR ± 0.5°	
MAT :		

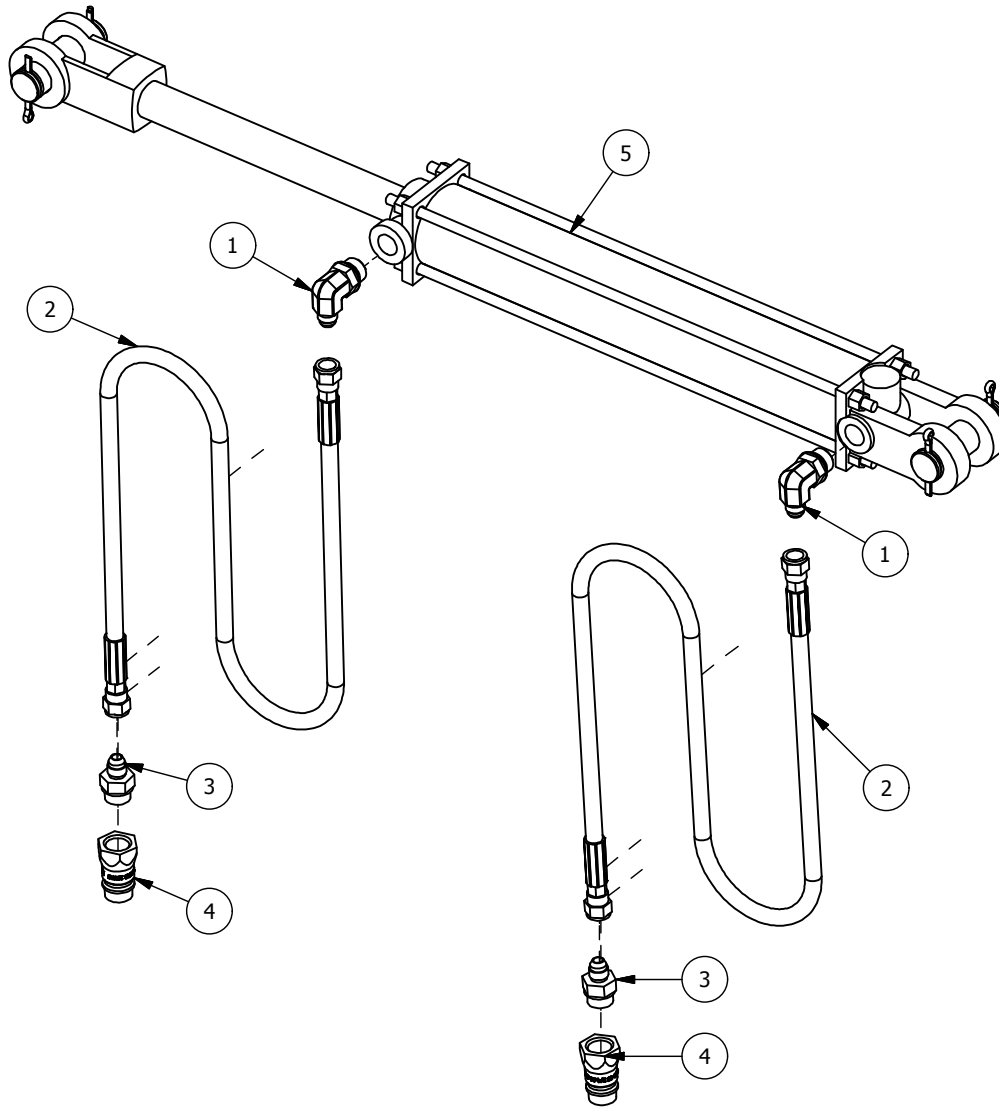
VIEW REP :	SHEET 1 OF 1	R#	DATE	DESCRIPTION	DR	CK
TITLE : KIT HOSE AND FIT / 30 INCH CYL REAR 96" & 101.5" DIA TWIN DOOR 5000				FILE NO : AAA-054-00218.idw		

CONFIDENTIAL: THESE DRAWINGS AND COPIES THEREOF REMAIN THE PROPERTY OF JAY-LOR FABRICATING INC. ANY PERSON FOUND UNLAWFULLY USING, DISTRIBUTING, OR IN POSSESSION OF THE ABOVE WILL BE PROSECUTED

NOTE : INSTALL CYL SO THAT PORTS
ARE FACING OUTWARD AND NOT
TOWARDS MACHINE

Parts List			
ITEM	PART NUMBER	TITLE	QTY
1	AAB-009-00352	FIT 90DEG 6 MJIC X 8 MORB ADJ	2
2	AAA-009-00257	HOSE HYD 1/4DIA SINGLE BRAID 6 FJIC SWIVEL X 6 FJIC SWIVEL 540L	2
3	AAB-009-00074	FIT ADPT 6 MJIC X 8 MORB	2
4	AAB-009-00322	FIT 10 MQDC X 8 FORB	2
5	AAB-009-00330	HYD CYDR 12 STROKE	1

* HYDRAULIC HOSE AND FITTING KIT FOR REAR LTH DOOR OF
TWIN AUGER MACHINES IS AVAILABLE AS PART # AAA-009-00439



DRWN :	TOLERANCES (UNLESS SPECIFIED OTHERWISE)	
DATE : 1/12/2015	FRACTIONAL ± 1/16" DEC X.X ± 0.1" DEC X.XX ± 0.06" DEC X.XXX ± 0.031" ANGULAR ± 0.5°	
MAT :		

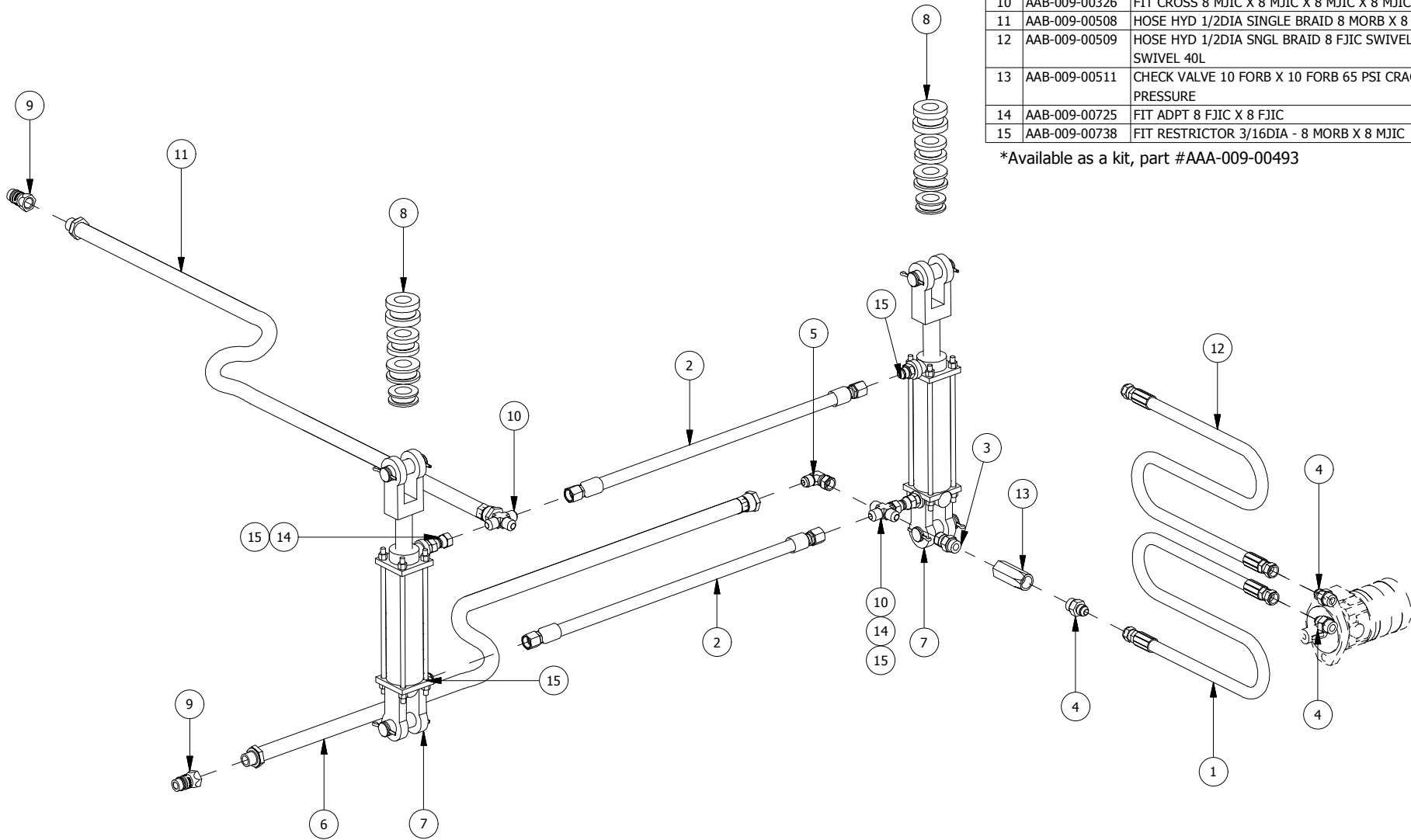
VIEW REP :	SHEET 1 OF 1	R#	DATE	DESCRIPTION	DR	CK
TITLE : KIT HOSE & FIT / 12 INCH CYL REAR LTH DOOR TWINS 5000				FILE NO : AAA-054-00219.idw		

CONFIDENTIAL: THESE DRAWINGS AND COPIES THEREOF REMAIN THE PROPERTY OF JAY-LOR FABRICATING INC. ANY PERSON FOUND UNLAWFULLY USING, DISTRIBUTING, OR IN POSSESSION OF THE ABOVE WILL BE PROSECUTED

Parts List

ITEM	PART NUMBER	TITLE	QTY
1	AAA-009-00152	HOSE HYD 1/2DIA SINGLE BRAID 8 FJIC SWIVEL X 8 FJIC SWIVEL 60L	1
2	AAA-009-00404	HOSE HYD 1/2DIA SINGLE BRAID 8 FJIC X 8 FJIC 23L 3000PSI	2
3	AAB-009-00079	FIT ADPT 10 MORB X 8 FJIC SWIVEL	1
4	AAB-009-00080	FIT ADPT 8 MJIC X 10 MORB	3
5	AAB-009-00088	FIT 90DEG 8 MJIC X 8 FJIC SWIVEL	1
6	AAB-009-00133	HOSE HYD 1/2DIA SINGLE BRAID 8 MORB X 8 FJIC X 180L	1
7	AAB-009-00230	HYD CYDR 6IN STROKE X 2IN BORE	2
8	AAB-009-00314	LOCK COLLAR SET	2
9	AAB-009-00322	FIT 10 MQDC X 8 FORB	2
10	AAB-009-00326	FIT CROSS 8 MJIC X 8 MJIC X 8 MJIC X 8 MJIC	2
11	AAB-009-00508	HOSE HYD 1/2DIA SINGLE BRAID 8 MORB X 8 FJIC X 168L	1
12	AAB-009-00509	HOSE HYD 1/2DIA SNGL BRAID 8 FJIC SWIVEL X 8 FJIC SWIVEL 40L	1
13	AAB-009-00511	CHECK VALVE 10 FORB X 10 FORB 65 PSI CRACK PRESSURE	1
14	AAB-009-00725	FIT ADPT 8 FJIC X 8 FJIC	2
15	AAB-009-00738	FIT RESTRICTOR 3/16DIA - 8 MORB X 8 MJIC	4

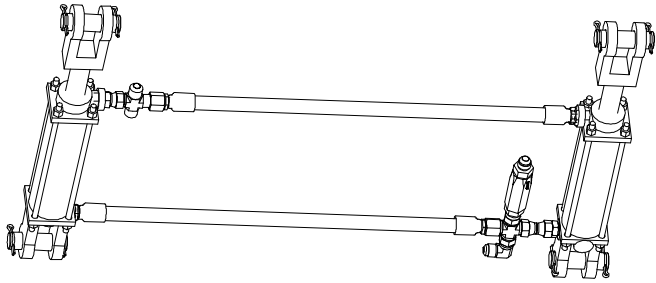
*Available as a kit, part #AAA-009-00493



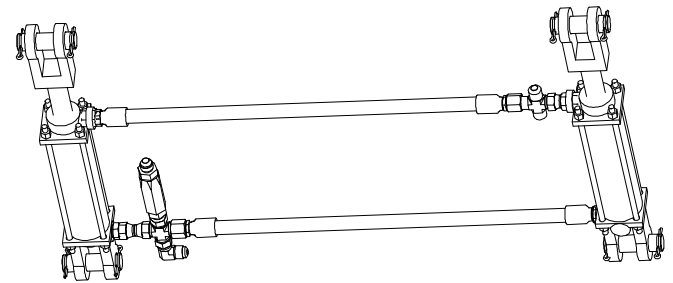
VIEW REP :	SHEET 1 OF 2	R#	DATE	DESCRIPTION	DR	CK
TITLE : KIT HYD FOR 6FT 41IN CNVR W/ 2 CYL				FILE NO : AAA-054-00235.idw		


DRWN : Bcrawford	TOLERANCES (UNLESS SPECIFIED OTHERWISE) FRACTIONAL ± 1/16" DEC X.X ± 0.1" DEC X.XX ± 0.06" DEC X.XXX ± 0.031" ANGULAR ± 0.5°	
DATE : 1/19/2015		
MAT :		
CONFIDENTIAL: THESE DRAWINGS AND COPIES THEREOF REMAIN THE PROPERTY OF JAY-LOR FABRICATING INC. ANY PERSON FOUND UNLAWFULLY USING, DISTRIBUTING, OR IN POSSESSION OF THE ABOVE WILL BE PROSECUTED		

LTH



RTH



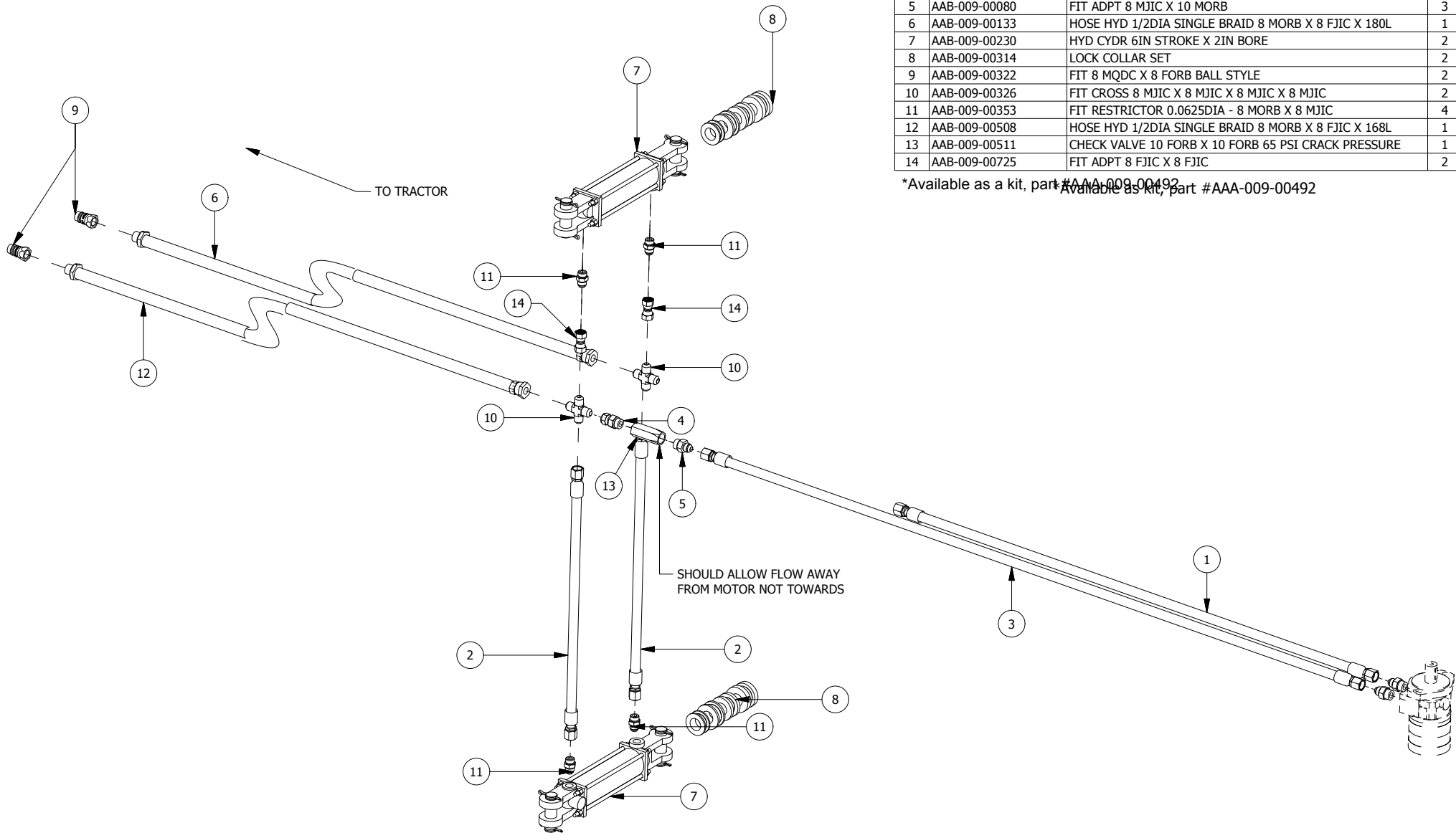
VIEW REP :	SHEET 2 OF 2	R#	DATE	DESCRIPTION	DR	CK	DRWN : Bcrawford	TOLERANCES (UNLESS SPECIFIED OTHERWISE)	
TITLE : KIT HYD FOR 6FT 41IN CNVR W/ 2 CYL							DATE : 1/19/2015	FRACTIONAL ± 1/16"	
							MAT :	DEC X.X ± 0.1"	
							CONFIDENTIAL: THESE DRAWINGS AND COPIES THEREOF REMAIN THE PROPERTY OF JAY-LOR FABRICATING INC. ANY PERSON FOUND UNLAWFULLY USING, DISTRIBUTING, OR IN POSSESSION OF THE ABOVE WILL BE PROSECUTED		

FILE NO : AAA-054-00235.idw

Parts List

ITEM	PART NUMBER	TITLE	QTY
1	AAA-009-00213	HOSE HYD 1/2DIA SINGLE BRAID 8 FJIC X 8 FJIC 48L 3000PSI	1
2	AAA-009-00404	HOSE HYD 1/2DIA SINGLE BRAID 8 FJIC X 8 FJIC 24L 3000PSI	2
3	AAA-009-00405	HOSE HYD 1/2DIA SINGLE BRAID 8 FJIC X 8 FJIC 67L 3000PSI	1
4	AAB-009-00079	FIT ADPT 10 MORB X 8 FJIC SWIVEL	1
5	AAB-009-00080	FIT ADPT 8 MJIC X 10 MORB	3
6	AAB-009-00133	HOSE HYD 1/2DIA SINGLE BRAID 8 MORB X 8 FJIC X 180L	1
7	AAB-009-00230	HYD CYDR 6IN STROKE X 2IN BORE	2
8	AAB-009-00314	LOCK COLLAR SET	2
9	AAB-009-00322	FIT 8 MQDC X 8 FORB BALL STYLE	2
10	AAB-009-00326	FIT CROSS 8 MJIC X 8 MJIC X 8 MJIC X 8 MJIC	2
11	AAB-009-00353	FIT RESTRICTOR 0.0625DIA - 8 MORB X 8 MJIC	4
12	AAB-009-00508	HOSE HYD 1/2DIA SINGLE BRAID 8 MORB X 8 FJIC X 168L	1
13	AAB-009-00511	CHECK VALVE 10 FORB X 10 FORB 65 PSI CRACK PRESSURE	1
14	AAB-009-00725	FIT ADPT 8 FJIC X 8 FJIC	2

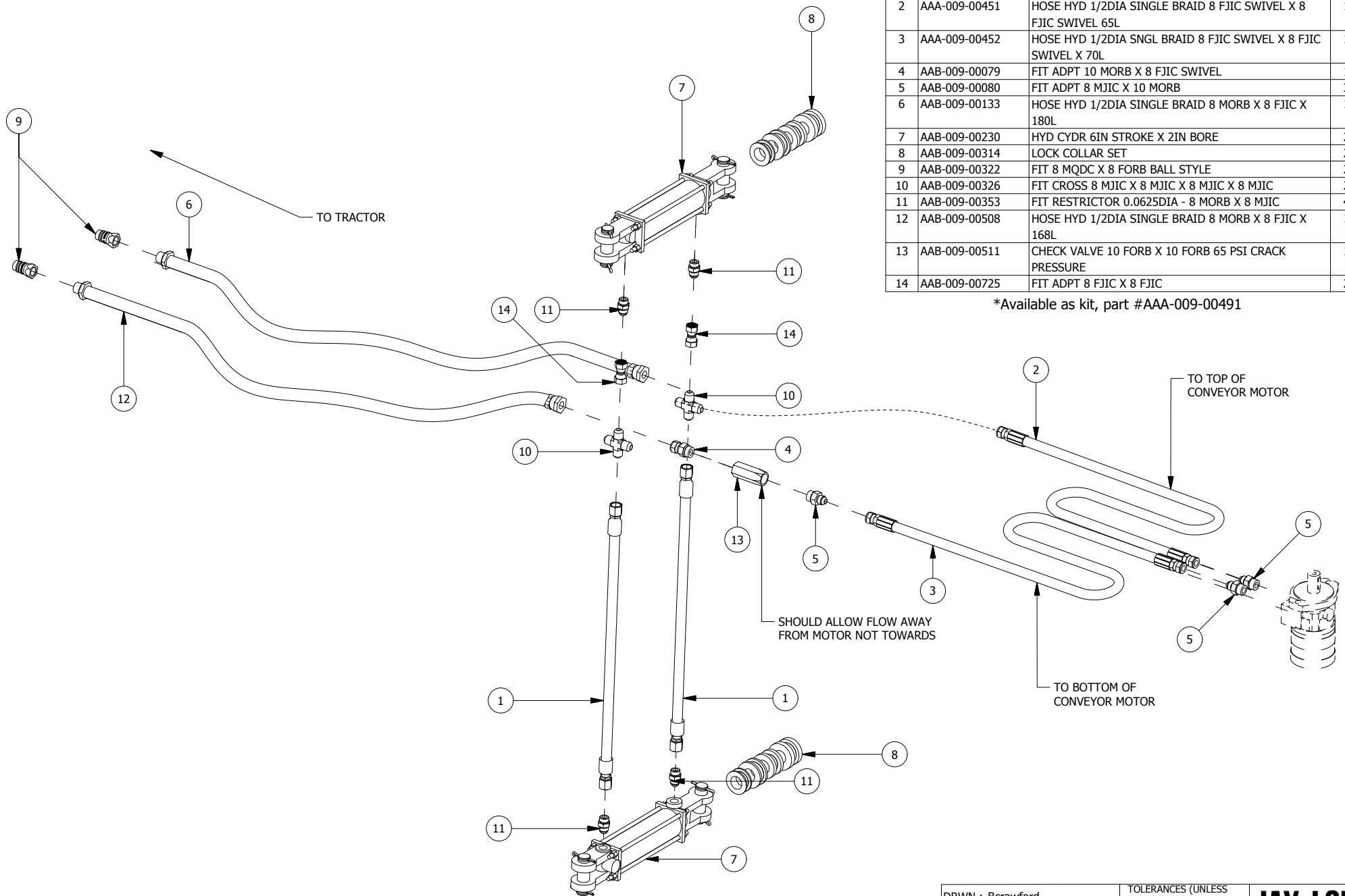
*Available as a kit, part #AAA-009-00492
 *Available as a kit, part #AAA-009-00492



*HOSES NOT TO SCALE

DRWN : Bcrawford	TOLERANCES (UNLESS SPECIFIED OTHERWISE)	JAY-LOR Fabricating Inc
DATE : 6/2/2016	FRACTIONAL ± 1/16"	
MAT :	DEC X.X ± 0.1"	
	DEC X.XX ± 0.06"	
	DEC X.XXX ± 0.031"	
	ANGULAR ± 0.5°	

VIEW REP :	SHEET 1 OF 1	R#	DATE	DESCRIPTION	DR	CK	FILE NO : AAA-054-00236.idw
TITLE : KIT HYD FOR 6FT 60IN CNVR W/ 2 CYL							CONFIDENTIAL: THESE DRAWINGS AND COPIES THEREOF REMAIN THE PROPERTY OF JAY-LOR FABRICATING INC. ANY PERSON FOUND UNLAWFULLY USING, DISTRIBUTING, OR IN POSSESSION OF THE ABOVE WILL BE PROSECUTED



Parts List			
ITEM	PART NUMBER	TITLE	QTY
1	AAA-009-00404	HOSE HYD 1/2DIA SINGLE BRAID 8 FJIC X 8 FJIC 24L 3000PSI	2
2	AAA-009-00451	HOSE HYD 1/2DIA SINGLE BRAID 8 FJIC SWIVEL X 8 FJIC SWIVEL 65L	1
3	AAA-009-00452	HOSE HYD 1/2DIA SNGL BRAID 8 FJIC SWIVEL X 8 FJIC SWIVEL X 70L	1
4	AAB-009-00079	FIT ADPT 10 MORB X 8 FJIC SWIVEL	1
5	AAB-009-00080	FIT ADPT 8 MJIC X 10 MORB	3
6	AAB-009-00133	HOSE HYD 1/2DIA SINGLE BRAID 8 MORB X 8 FJIC X 180L	1
7	AAB-009-00230	HYD CYDR 6IN STROKE X 2IN BORE	2
8	AAB-009-00314	LOCK COLLAR SET	2
9	AAB-009-00322	FIT 8 MQDC X 8 FORB BALL STYLE	2
10	AAB-009-00326	FIT CROSS 8 MJIC X 8 MJIC X 8 MJIC X 8 MJIC	2
11	AAB-009-00353	FIT RESTRICTOR 0.0625DIA - 8 MORB X 8 MJIC	4
12	AAB-009-00508	HOSE HYD 1/2DIA SINGLE BRAID 8 MORB X 8 FJIC X 168L	1
13	AAB-009-00511	CHECK VALVE 10 FORB X 10 FORB 65 PSI CRACK PRESSURE	1
14	AAB-009-00725	FIT ADPT 8 FJIC X 8 FJIC	2

*Available as kit, part #AAA-009-00491

*HOSES NOT TO SCALE

DRWN : Bcrawford	TOLERANCES (UNLESS SPECIFIED OTHERWISE)	JAY-LOR Fabricating Inc
DATE : 6/2/2016	FRACTIONAL ± 1/16"	
MAT :	DEC X.X ± 0.1"	
	DEC X.XXX ± 0.06"	
	DEC X.XXX ± 0.031"	
	ANGULAR ± 0.5°	

VIEW REP :	SHEET 1 OF 1	R#	DATE	DESCRIPTION	DR	CK
TITLE : KIT HYD FOR 6FT 72IN CNVR W/ 2 CYL				FILE NO : AAA-054-00237.idw		

CONFIDENTIAL: THESE DRAWINGS AND COPIES THEREOF REMAIN THE PROPERTY OF JAY-LOR FABRICATING INC. ANY PERSON FOUND UNLAWFULLY USING, DISTRIBUTING, OR IN POSSESSION OF THE ABOVE WILL BE PROSECUTED

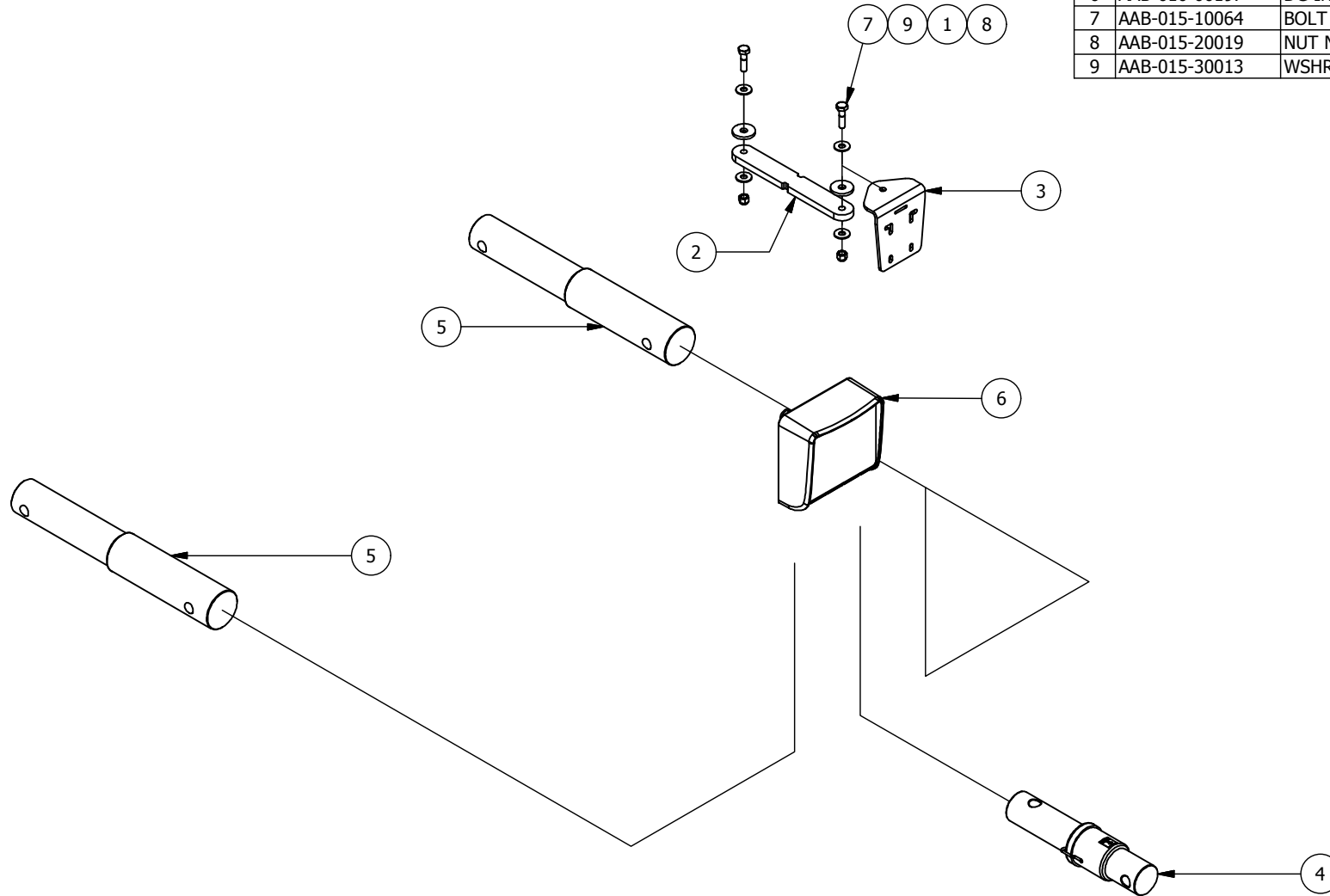
O. 010 – SCALE / LIGHTING PARTS

Drawing Number Reference Chart:

Part	Model			
	5600	5650	5750	5850
Scale System	AAA-054-00137	AAA-054-00137	AAA-054-00137	AAA-054-00136
Light Bar Assembly	AAA-054-00497			

Parts List

ITE	PART NUMBER	TITLE	QTY
1	AAA-000-00059	WSHR URETHANE 2DIA	2
2	AAA-002-00995-P3	SCALE HEAD SWING ARM 5/8T (PAINTED)	1
3	AAA-010-00048	SCALE HEAD MNT BRKT 1/4T	1
4	AAB-010-00191	DG WB 2-7/8DIA X 15-3/4L	1
5	AAB-010-00192	DG WB 3-1/4DIA X 3-73/100DIA X 24-1/4L	2
6	AAB-010-00197	DG INDICTR - STAD 04	1
7	AAB-015-10064	BOLT HEX 1/2 X 2 UNC GRD 5	2
8	AAB-015-20019	NUT NYLON LOCK 1/2 UNC GRD 2	2
9	AAB-015-30013	WSHR FLAT 1/2 USS	4



DRWN : LMV

DATE : 1/21/2015

MAT :

TOLERANCES (UNLESS SPECIFIED OTHERWISE)
 FRACTIONAL ± 1/16"
 DEC X.X ± 0.1"
 DEC X.XX ± 0.06"
 DEC X.XXX ± 0.031"
 ANGULAR ± 0.5°

JAY•LOR
 Fabricating Inc

VIEW REP : SHEET 1 OF 1 R# DATE DESCRIPTION DR CK

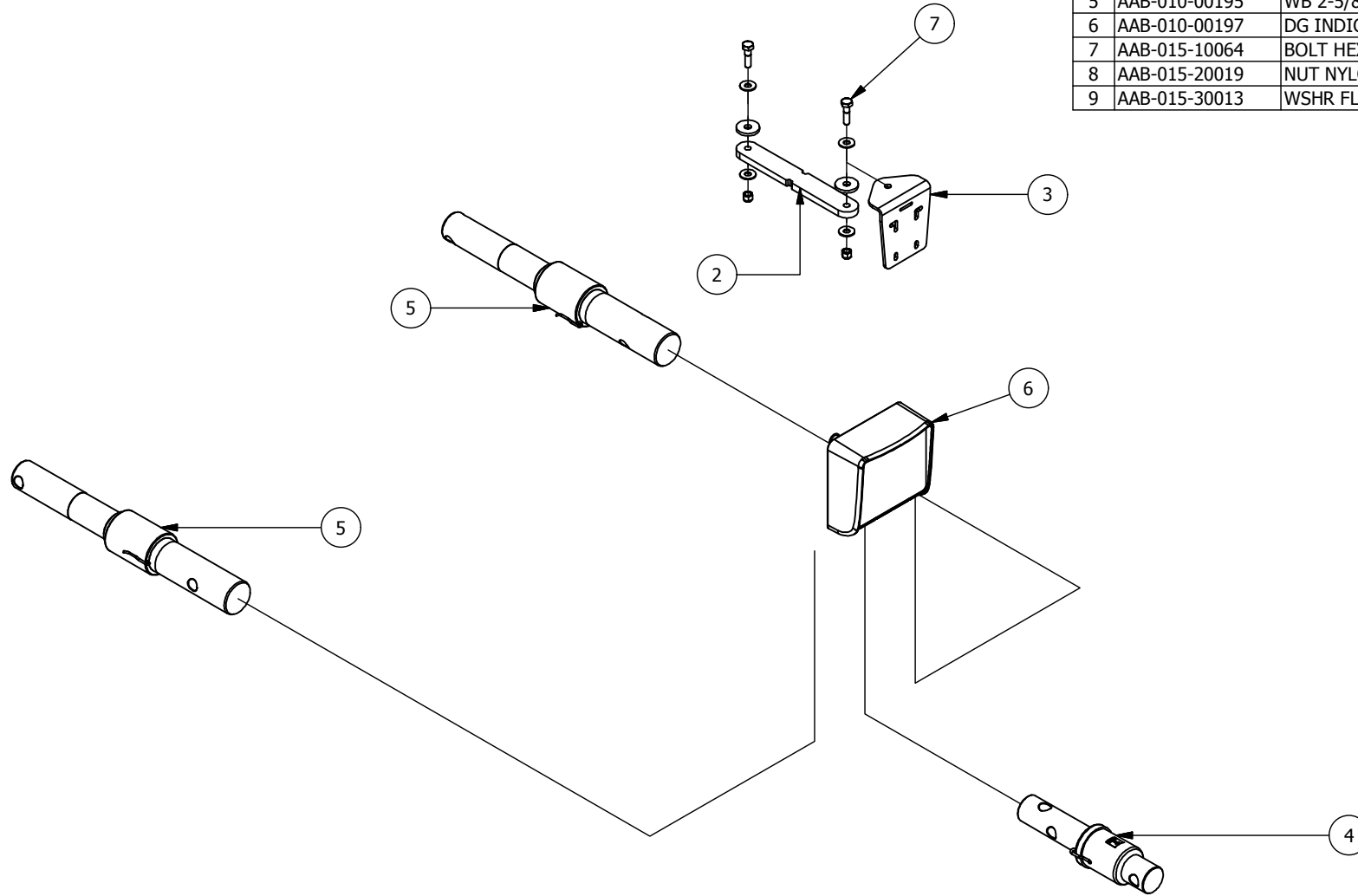
TITLE : 5000 SERIES SCALE SYSTEM (5850, 5990)

FILE NO : AAA-054-00136.idw

CONFIDENTIAL: THESE DRAWINGS AND COPIES THEREOF REMAIN THE PROPERTY OF JAY-LOR FABRICATING INC. ANY PERSON FOUND UNLAWFULLY USING, DISTRIBUTING, OR IN POSSESSION OF THE ABOVE WILL BE PROSECUTED

Parts List

ITE	PART NUMBER	TITLE	QTY
1	AAA-000-00059	WSHR URETHANE 2DIA	2
2	AAA-002-00995-P3	SCALE HEAD SWING ARM 5/8T (BLACK)	1
3	AAA-010-00048	SCALE HEAD MNT BRKT 1/4T	1
4	AAB-010-00194	DG WB 2-1/2DIA X 15-1/4L	1
5	AAB-010-00195	WB 2-5/8DIA 3-1/8DIA 26-1/4L	2
6	AAB-010-00197	DG INDICTR - STAD 04	1
7	AAB-015-10064	BOLT HEX 1/2 X 2 UNC GRD 5	2
8	AAB-015-20019	NUT NYLON LOCK 1/2 UNC GRD 2	2
9	AAB-015-30013	WSHR FLAT 1/2 USS	4



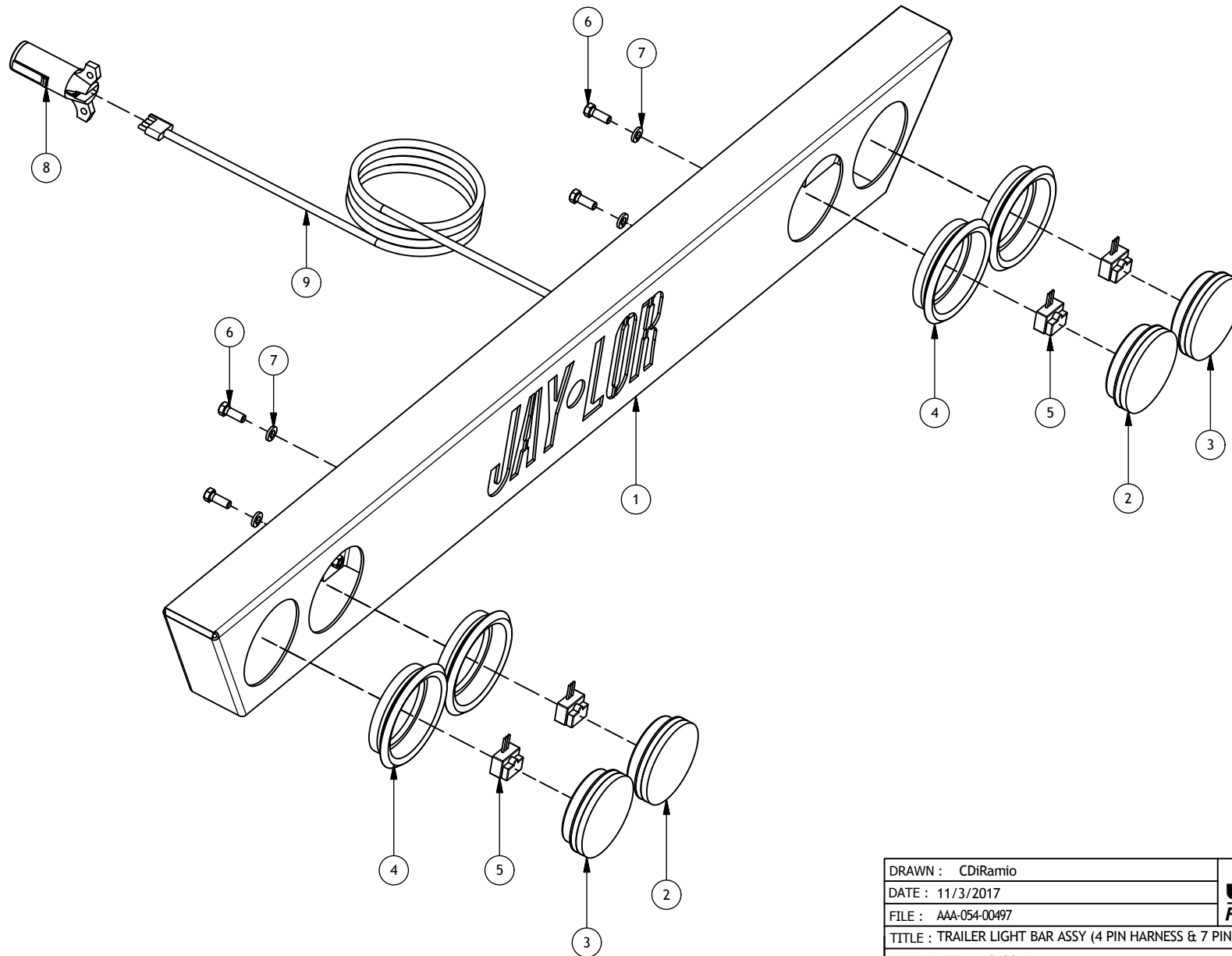
DRWN : LMV
 DATE : 1/21/2015
 MAT :

TOLERANCES (UNLESS SPECIFIED OTHERWISE)
 FRACTIONAL ± 1/16"
 DEC X.X ± 0.1"
 DEC X.XX ± 0.06"
 DEC X.XXX ± 0.031"
 ANGULAR ± 0.5°



LIGHT BAR ASSEMBLY

Parts List			
ITEM	PART NUMBER	TITLE	QTY
1	AAA-018-00037-P3	LIGHTBAR RETRO PAINTED	1
2	AAB-018-00131	4" SEALED STOP/TAIL/MARKER LAMP (GLOLIGHT)	2
3	AAB-018-00132	4" SEALED PARKING/TURN SIGNAL (GLOLIGHT)	2
4	AAB-018-00147	4" SIGNAL/BRAKE LIGHT GROMMET	4
5	AAB-018-00148	4" SIGNAL/BRAKE LIGHT PIGTAIL	4
6	AAB-015-10056	BOLT HEX 3/8 X 1 UNC GRD 2	4
7	AAB-015-30017	WSHR LOCK 3/8	4
8	AAB-018-00002	PLUG ADPT RETRO 7-RND FOR LIGHT PACKAGES	1
9	AAB-018-00146	30 FT 14/4 TRAILER CABLE W/ TRAILER 4 PRONG PLUG	1



DRAWN : CDiRamio DATE : 11/3/2017 FILE : AAA-054-00497 TITLE : TRAILER LIGHT BAR ASSY (4 PIN HARNESS & 7 PIN ADPT)		TOLERANCES (UNLESS SPECIFIED OTHERWISE) FRACTIONAL ± 1/16" DEC X.X ± 0.1" DEC X.XX ± 0.06" DEC X.XXX ± 0.031" ANGULAR ± 0.5°
PRINT DATE: 11/3/2017 <small>CONFIDENTIAL: THESE DRAWINGS AND COPIES THEREOF REMAIN THE PROPERTY OF JAY-LOR FABRICATING INC. ANY PERSON FOUND UNLAWFULLY USING, DISTRIBUTING, OR IN POSSESSION OF THE ABOVE WILL BE PROSECUTED</small>	SHEET 1 OF 1	